

Model No: PMT-18N12AL03-04
 Product Line:

Rev: DVR1
 Last Update: 2017-01-05 11:33:26

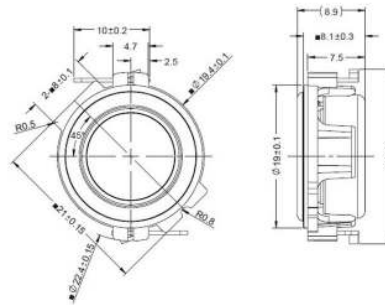
Product Description

The PMT family of micro full range drivers features an ultra compact NdFeB magnet motors, a large excursion spiderless suspension system and Aluminium diaphragms for wide bandwidth. PMT micro drivers are a perfect choice for applications such as compact Bluetooth speakers and conference telephone/handsets.

NOTE THIS DRIVER IS NOT APPROVED AND/OR IS NOT IN MASS PRODUCTION YET.
 AS SUCH IT MAY BE SUBJECT TO CHANGE.
 SPEC IS ONLY FOR INFORMATION.
 PLEASE CHECK STATUS WITH THE ENGINEER



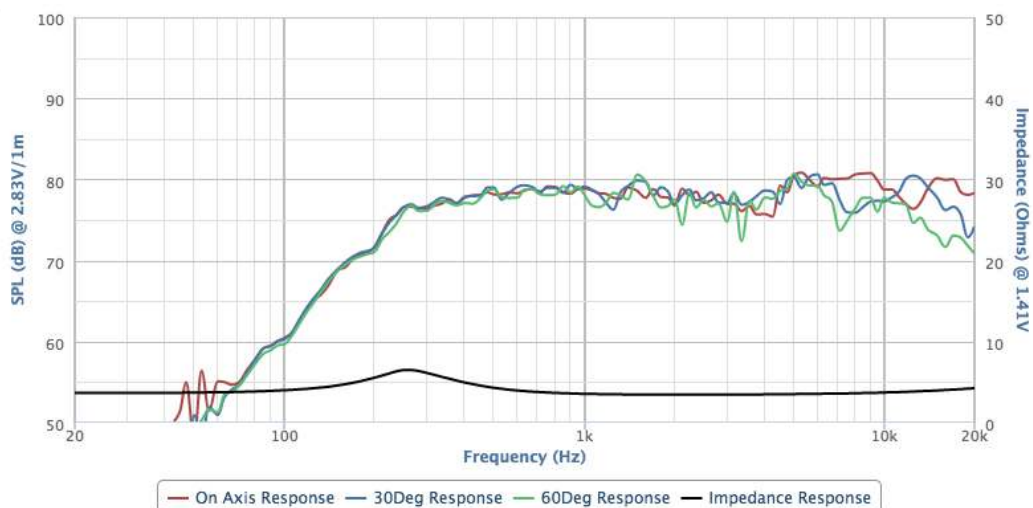
Mechanical Drawing



Specifications

DC Resistance	Revc	Ohms	3.6	5.0%	Energy Bandwidth Product	EBP	(1/Qes)*fs	208.93
Minimum Impedance	Zmin	Ohms	3.46	7.5%	Moving Mass	Mms	g	0.12
Voice Coil Inductance	Le	mH	0.03		Suspension Compliance	Cms	um/N	1468
Resonant Frequency	Fs	Hz	374.4	15%	Effective Cone diameter	D	cm	1.54
Mechanical Q Factor	Qms		1.37		Effective Piston Area	Sd	cm^2	1.86
Electrical Q Factor	Qes		1.79		Effective Volume	Vas	L	0.01
Total Q Factor	Qts		0.78		Motor Force Factor	BL	Tm	0.76
Ratio Fs/Qts	F	Fs/Qts	483.1		Motor Efficiency Factor	β	(T*M^2)/Ohms	0.16
Half Space Sensitivity @2.83V	db@2.83V/1M	dB	77.98	+/- 1.0db	Voice coil former Material	VCfm		Kapton
Half Space Sensitivity @1W/1M	db@1W/1M	dB	74.33	+/- 1.0db	Voice coil inner diameter	VCd	mm	12
Gap Height	Gh	mm	1		Rated Noise Power	P	W	1
Maximum Linear Excursion	Xmax	mm	0.4		Test Spectrum Bandwidth		350-20kHz	
Ferrofluid Type	FF		APG834		Transducer Size		mm	18
Transducer Mass	Kg	0.008						

Frequency and Impedance Response



Highcharts.com