

THIS DRAWING IS UNPUBLISHED.

RELEASED FOR PUBLICATION

JUN, 2011

© COPYRIGHT 2011

ALL RIGHTS RESERVED.

LOC J

DIST

REVISIONS

P	LTR	DESCRIPTION	DATE	DWN	APVD
0		RELEASED	FJA0-0569-03	20OCT2003	SA KA
A		REVISED	ECR-10-007503	14MAY2010	TS KB
A1		REVISED	ECR-10-016582	12AUG10	AY HY
A2		REVISED	ECR-11-010780	01JUN11	AY HY

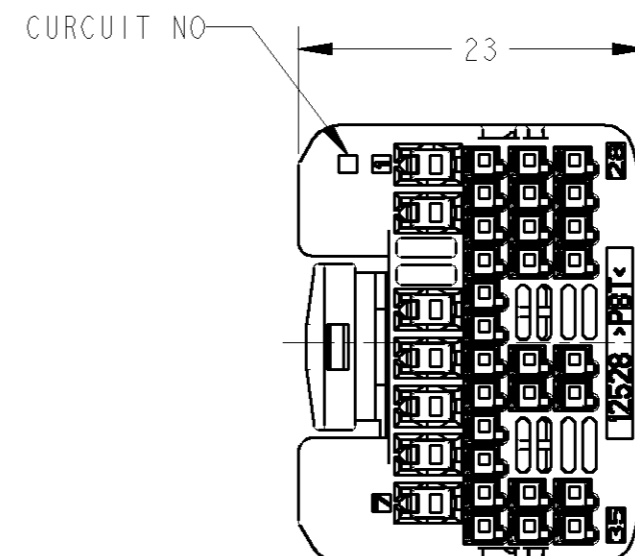
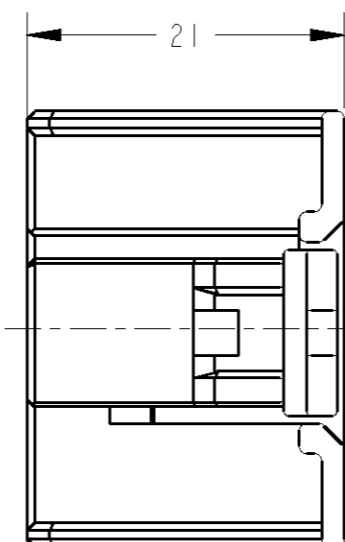
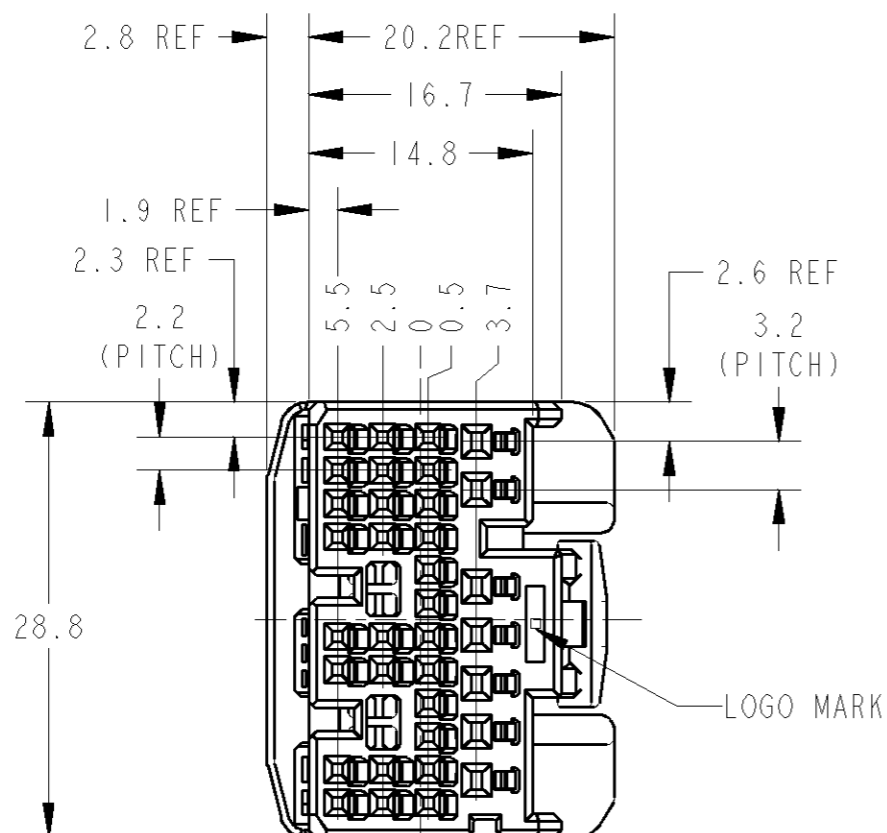
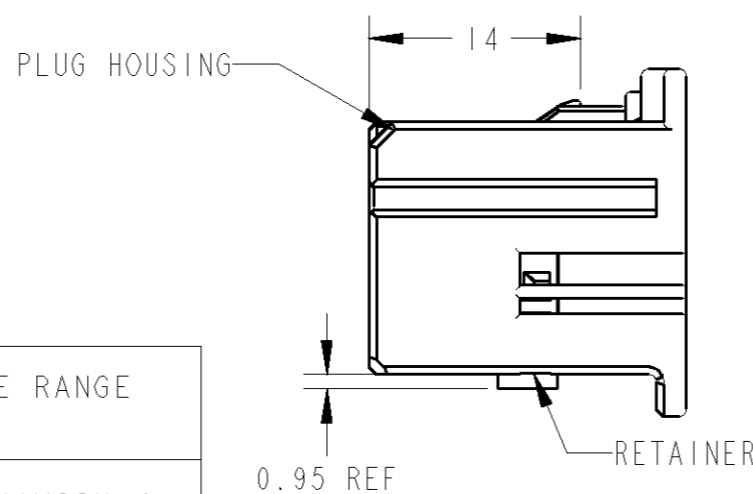


TABLE-1

POS 極数	CAP ASSEMBLY PART NO キャップ 型番
200	1473649
167	1318813
167(STD)	1612435
135	1376430
70	1473193

TABLE-2

		TERMINAL PART NO 端子型番	APPLICABLE WIRE RANGE 適用電線
SIGNAL 0.64 III	TIN	1674311-1	AVSS/CAVS/CAVUS/AVSSH-f 0.3~0.5mm ²
	SELECTIVE GOLD	1674311-2	
	TIN	1674936-1	CAVS/CAVUS/CHFUS 0.22mm ²
	SELECTIVE GOLD	1674936-2	
POWER 1.0 III	SELECTIVE GOLD	316837-2	AVSS/CAVS/CAVUS 0.3~0.85mm ² AVS 0.3~0.5mm ²
		316836-1	
	TIN	316838-1	AVS 0.5mm ² AVSS/CAVS 0.85~1.25mm ² CAVUS 1.25mm ²



1. RETAINER SHOULD BE SENT TO THE PRE-ASSEMBLY
2. INSTRUCTION SHEET NO. 411-78080
3. PART NUMBER OF CAP HOUSING TO BE MATED; SEE TABLE-1
4. APPLIED TERMINALS; SEE TABLE-2

1. プラグハウジングセリテーナを仮係止して出荷される
2. 取扱説明書NO. 411-78080
3. 嵌合相手型番: TABLE-1参照
4. 適用端子: TABLE-2参照

PAPER BOX ダンボール	PLASTIC BAG ビニール袋	BLACK	1674558-2
PAPER BOX ダンボール	PLASTIC BAG ビニール袋	NATURAL	1674558-1
OUTER 外装	INNER 内装	COLOR	PART NUMBER
PACKING STYLE 梱包形態			

THIS DRAWING IS A CONTROLLED DOCUMENT.

DIMENSIONS: 単位: 概 mm	TOLERANCES UNLESS OTHERWISE SPECIFIED:
	一般公差 ±0.3
	0-PLC ±
	1-PLC ±0.1
	2-PLC ±0.01
	3-PLC ±0.001
4-PLC ±0.0001	
ANGLES 仕上 ±3'00"	
MATERIAL 材料 PBT	FINISH 仕上 SEE TABLE

DWN	20OCT2003
CHK	S. AMEMIYA
CHK	H. YAMAGAMI
APVD	20OCT2003
APVD	K. ASAI
PRODUCT SPEC	108-5877
APPLICATION SPEC	114-5217, 5329
WEIGHT	6.6g
CUSTOMER DRAWING	

TE TE Connectivity			
NAME 名称 0.64III/1.0III CONNECTOR PLUG HOUSING ASSY 35P (A)			
SIZE	CAGE CODE	DRAWING NO	RESTRICTED TO
A3	00779	©=1674558	-
SCALE 尺度 2:1		SHEET 1	OF 1
		REV	A2