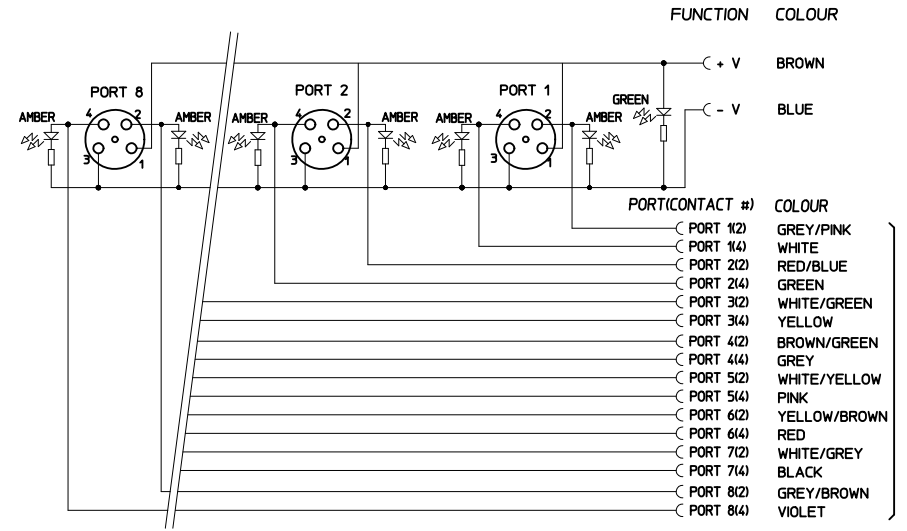
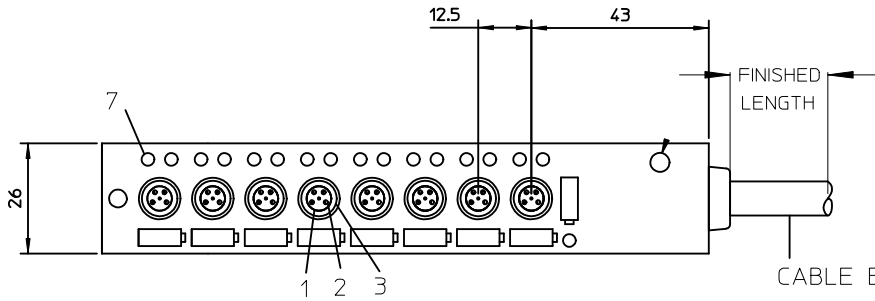
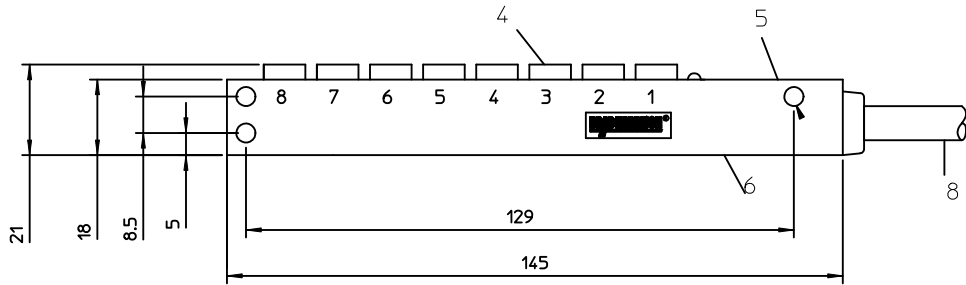


SAP-NUMBER	OLD PART NUMBER	FINISHED LENGTH
1201130017	BEY803P-FBP-05	5000



CABLE END:
 OUTER SHEATH STRIPPED 100 mm
 CONDUCTOR STRIP 5 mm

CLOSURE CAP

SAP no. 1203080677
 Quantity 2

VOLTAGE RATING	10 - 30 VDC
AMPERAGE RATING PER PORT	2 A MAX./PORT 6 A MAX. TOTAL
PROTECTION	IP 67
OPERATING TEMPERATURE	-25°C / +90 °C

ITEM	COMPONENT	MATERIAL	FINISH
1	INSERT	PUR	BLACK
2	CONTAC SOCKET	BRASS	GOLD OVER NICKEL
3	O-RING	VITON	---
4	RECEPTACLE SHELL	BRASS	NICKEL PLATED
5	HOUSING	PBT	YELLOW
6	LABEL	ABS	WHITE
7	LENS	PA	CLEAR
8	CABLE	PUR	---

NEW RELEASE
 EC NO: WEU2010-0248
 DRWN:SBH 2010/01/08
 CHKD:APOHL WEU 2010/01/08
 APPR:NSTAUDIGEL 2010/01/29

QUALITY SYMBOLS

 =0

DESCRIPTION
 REV A

GENERAL TOLERANCES (UNLESS SPECIFIED)

	mm	INCH
4 PLACES	± ---	± ---
3 PLACES	± ---	± ---
2 PLACES	± ---	± ---
1 PLACE	± 0.3	± ---
ANGULAR ± ---°		

DRAFT WHERE APPLICABLE
 MUST REMAIN WITHIN DIMENSIONS

DIMENSION STYLE
MM ONLY

DRAWN BY	DATE
SBH	2010/01/08
CHECKED BY	DATE
APOHL WEU	2010/01/08
APPROVED BY	DATE
NSTAUDIGEL	2010/01/29
MATERIAL NO.	

SCALE
METRIC

DESIGN UNITS
THIRD ANGLE PROJECTION

**M8-MPIS 8 PORT CABLE
 4 POL STRAIGHT OUTLINE**

MOLEX INCORPORATED

SEE TABLE

SD-120113-017

1 OF 1

THIS DRAWING CONTAINS INFORMATION THAT IS PROPRIETARY TO MOLEX INCORPORATED AND SHOULD NOT BE USED WITHOUT WRITTEN PERMISSION