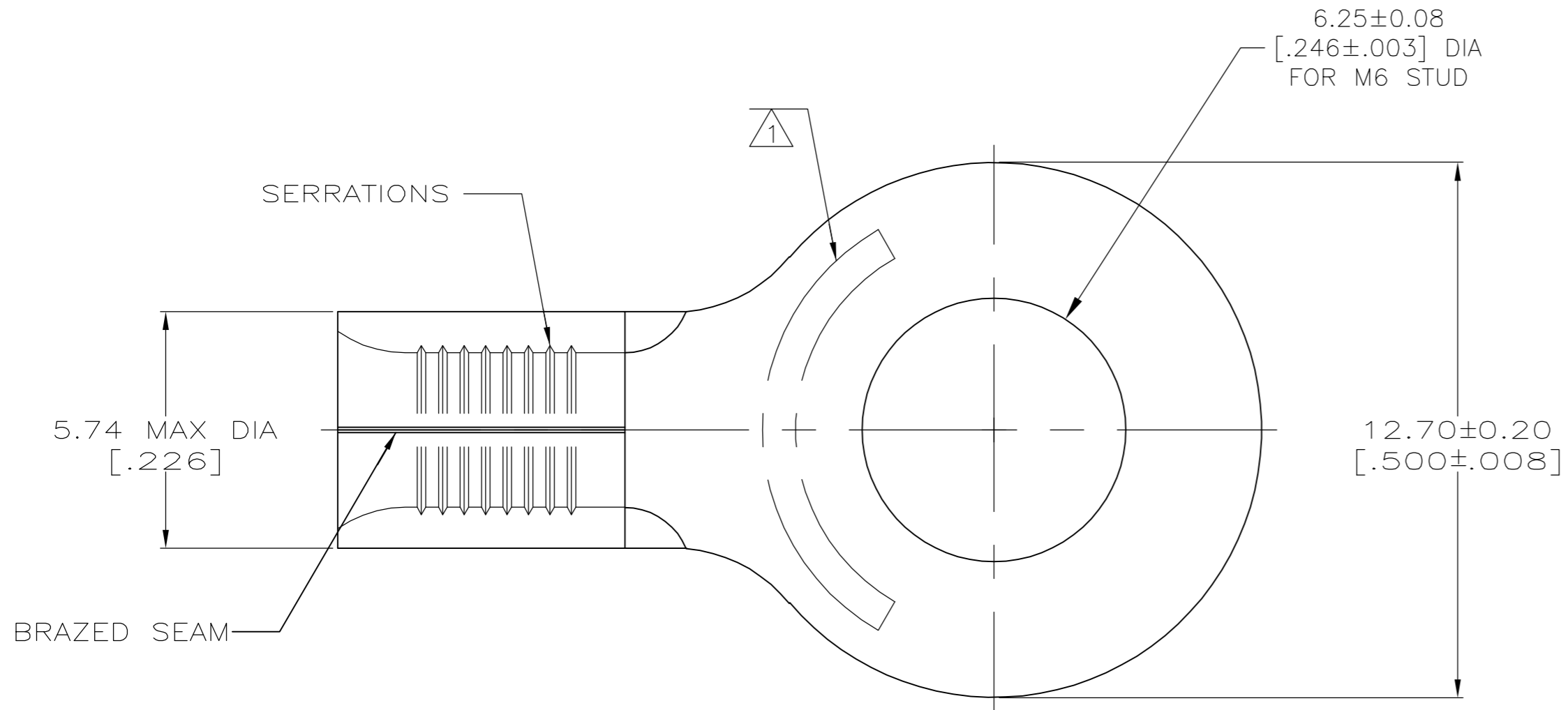


THIS DRAWING IS UNPUBLISHED. RELEASED FOR PUBLICATION  
 © COPYRIGHT BY TYCO ELECTRONICS CORPORATION. ALL RIGHTS RESERVED.

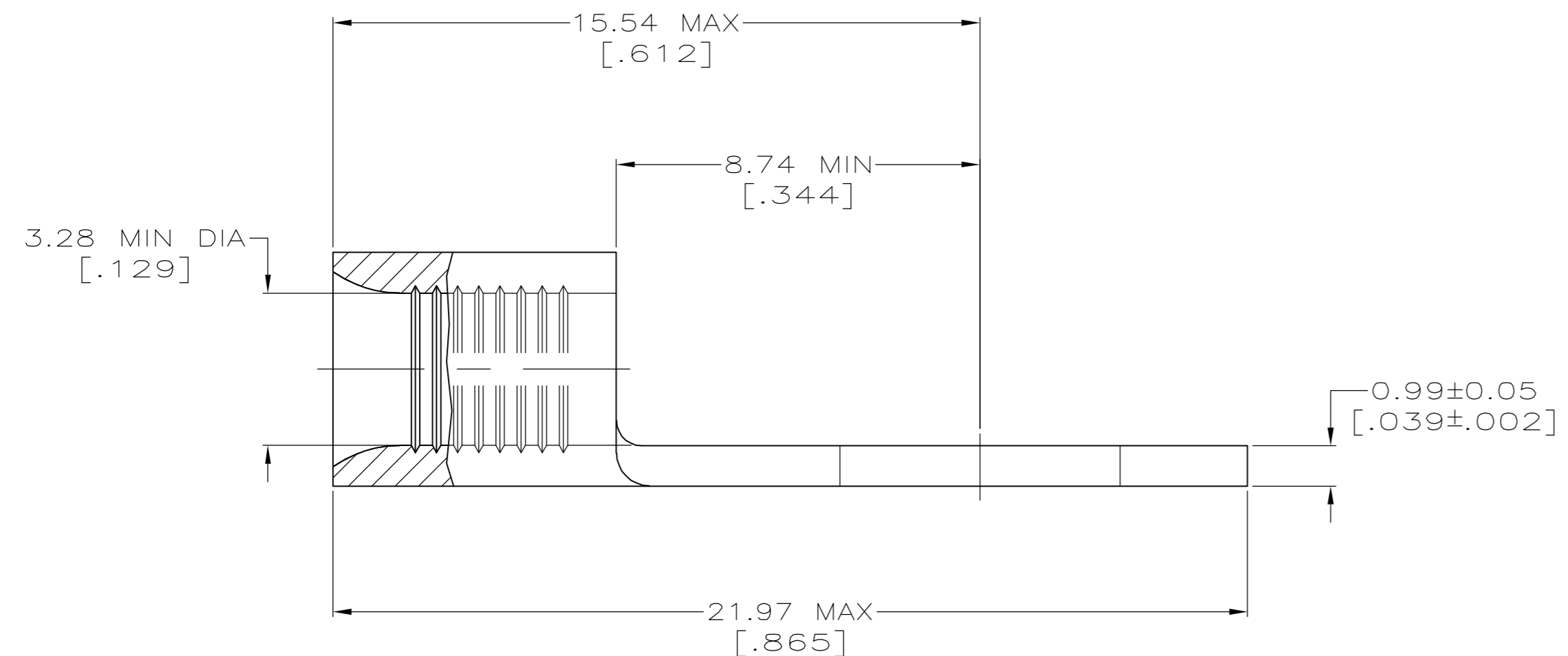
LOC	DIST	REVISIONS			DAP		
G	14	P	LTR	DESCRIPTION	DATE	DWN	APVD
		A		DRAWN	13MAR06	JR	TM



**AMP**  
WIRE RANGE

12-10 AWG  
SOLID OR STRANDED

- 1 STAMP AMP 12-10\* APPROX AS SHOWN
- 2 MATERIAL: COPPER PER ASTM B-152, ANNEALED
- 3 TIN PLATE 0.00254 [.000100] MIN THK PER ASTM B-545.



<b>AMP INCORPORATED CUSTOMER SERVICE SYSTEMS</b>		MAX RECOMMENDED OPERATING TEMPERATURE: 170°C
FOR ADDITIONAL PRODUCT INFORMATION OR COPIES OF DRAWINGS AND TECHNICAL DOCUMENTS	PRODUCT INFORMATION CENTER 1-800-522-6752	VOLTAGE RATING: N/A
FOR APPLICATION TOOLING INFORMATION	TOOLING ASSISTANCE CENTER 1-800-722-1111	CIRCULAR MIL AREA: 2.62-6.64mm² [5,180-13,100] SOLID OR STRANDED
FOR ORDER ENTRY	1-800-526-5142	THIS DRAWING IS A CONTROLLED DOCUMENT FOR AMP INCORPORATED. IT IS SUBJECT TO CHANGE AND THE CONTROLLING ENGINEERING ORGANIZATION SHOULD BE CONTACTED FOR THE LATEST REVISION.

FINISH	500	LOOSE PIECE	165026																																								
FINISH	QTY	PACKAGE TYPE	PART NO.																																								
THIS DRAWING IS A CONTROLLED DOCUMENT.		<table border="1"> <tr> <td>DWN</td> <td>JR RUTH</td> <td>13MAR06</td> </tr> <tr> <td>CHK</td> <td>T MICHIELUTTI</td> <td>13MAR06</td> </tr> <tr> <td>APVD</td> <td>T MICHIELUTTI</td> <td>13MAR06</td> </tr> </table>		DWN	JR RUTH	13MAR06	CHK	T MICHIELUTTI	13MAR06	APVD	T MICHIELUTTI	13MAR06																															
DWN	JR RUTH	13MAR06																																									
CHK	T MICHIELUTTI	13MAR06																																									
APVD	T MICHIELUTTI	13MAR06																																									
<table border="1"> <tr> <td>DIMENSIONS:</td> <td>TOLERANCES UNLESS OTHERWISE SPECIFIED:</td> </tr> <tr> <td>INCHES</td> <td></td> </tr> <tr> <td>0 PLC</td> <td>± -</td> </tr> <tr> <td>1 PLC</td> <td>± -</td> </tr> <tr> <td>2 PLC</td> <td>± -</td> </tr> <tr> <td>3 PLC</td> <td>± -</td> </tr> <tr> <td>4 PLC</td> <td>± -</td> </tr> <tr> <td>ANGLES</td> <td>± -</td> </tr> </table>		DIMENSIONS:	TOLERANCES UNLESS OTHERWISE SPECIFIED:	INCHES		0 PLC	± -	1 PLC	± -	2 PLC	± -	3 PLC	± -	4 PLC	± -	ANGLES	± -	<table border="1"> <tr> <td>NAME</td> <td colspan="3">Tyco Electronics Corporation Harrisburg, Pa 17105-3608</td> </tr> <tr> <td>PRODUCT SPEC</td> <td colspan="3">TERMINAL, RING TONGUE, SOLISTRAND</td> </tr> <tr> <td>APPLICATION SPEC</td> <td>SIZE</td> <td>CAGE CODE</td> <td>DRAWING NO</td> </tr> <tr> <td></td> <td>A2</td> <td>00779</td> <td>C=165026</td> </tr> <tr> <td>WEIGHT</td> <td colspan="3">RESTRICTED TO</td> </tr> <tr> <td>-</td> <td colspan="3">-</td> </tr> </table>		NAME	Tyco Electronics Corporation Harrisburg, Pa 17105-3608			PRODUCT SPEC	TERMINAL, RING TONGUE, SOLISTRAND			APPLICATION SPEC	SIZE	CAGE CODE	DRAWING NO		A2	00779	C=165026	WEIGHT	RESTRICTED TO			-	-		
DIMENSIONS:	TOLERANCES UNLESS OTHERWISE SPECIFIED:																																										
INCHES																																											
0 PLC	± -																																										
1 PLC	± -																																										
2 PLC	± -																																										
3 PLC	± -																																										
4 PLC	± -																																										
ANGLES	± -																																										
NAME	Tyco Electronics Corporation Harrisburg, Pa 17105-3608																																										
PRODUCT SPEC	TERMINAL, RING TONGUE, SOLISTRAND																																										
APPLICATION SPEC	SIZE	CAGE CODE	DRAWING NO																																								
	A2	00779	C=165026																																								
WEIGHT	RESTRICTED TO																																										
-	-																																										
MATERIAL	FINISH	SCALE	SHEET																																								
- 2	SEE TABLE	8:1	1 OF 1																																								
CUSTOMER DRAWING		REV	A																																								

165026