

MATERIALS AND FINISHES

BODY ZINC ALLOY  
 PLATED BRIGHT TIN 100 MICROINCHES MIN.

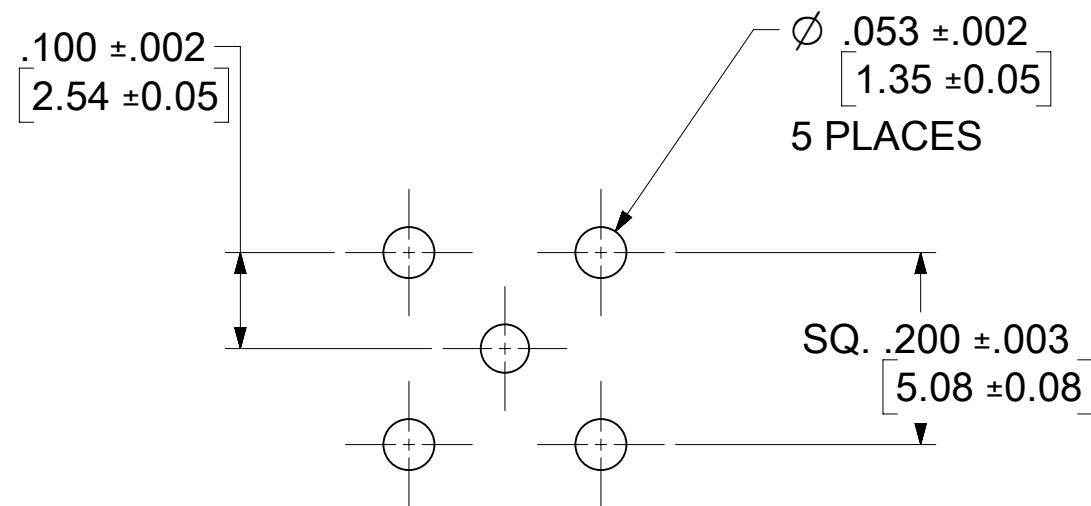
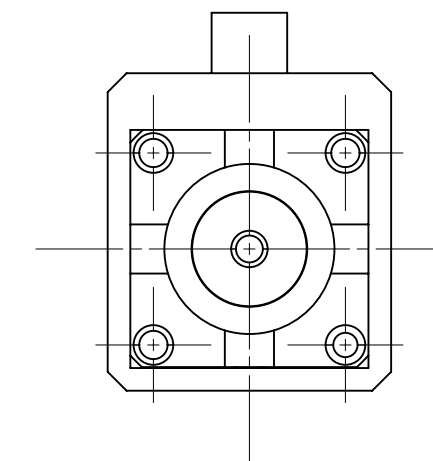
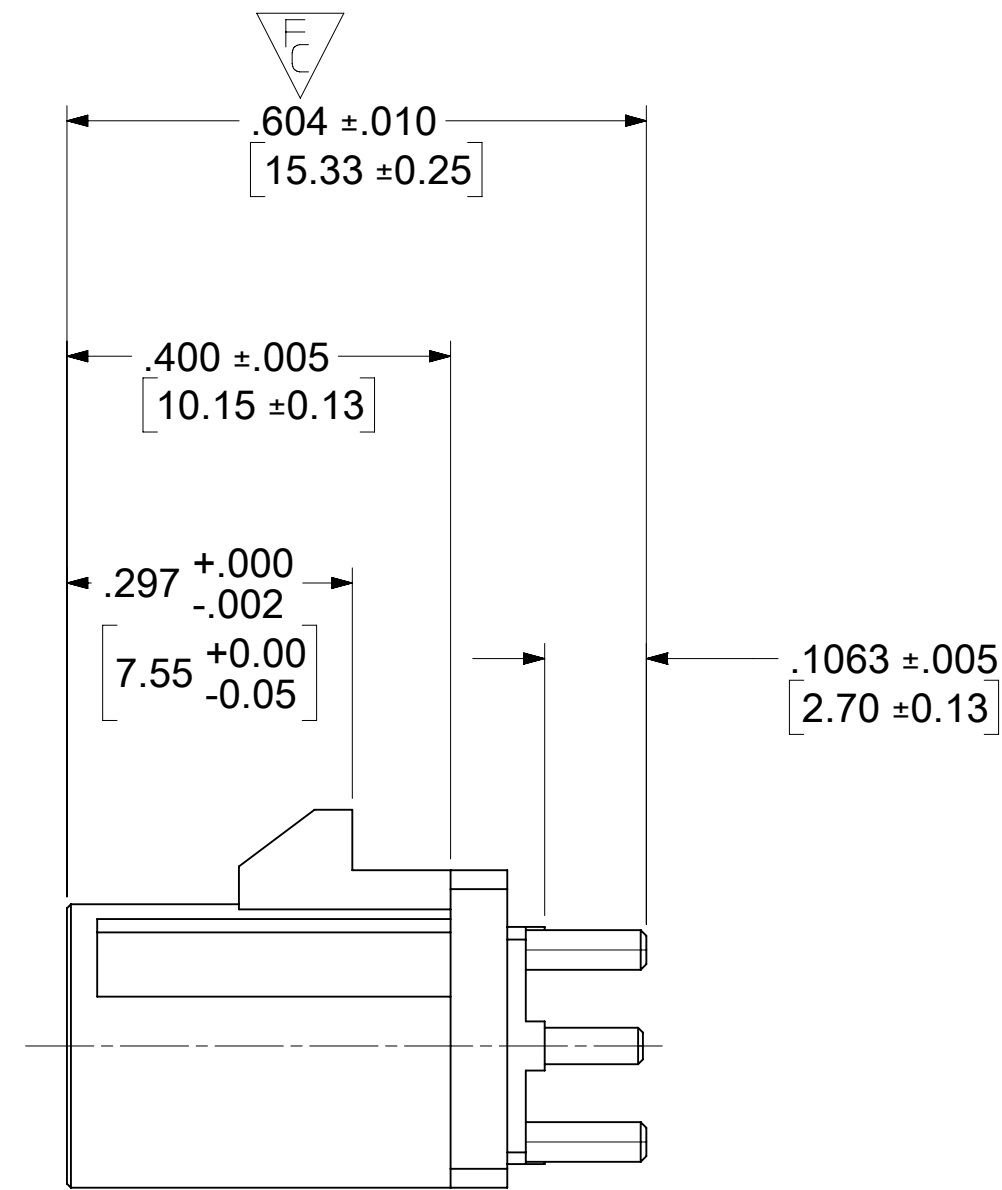
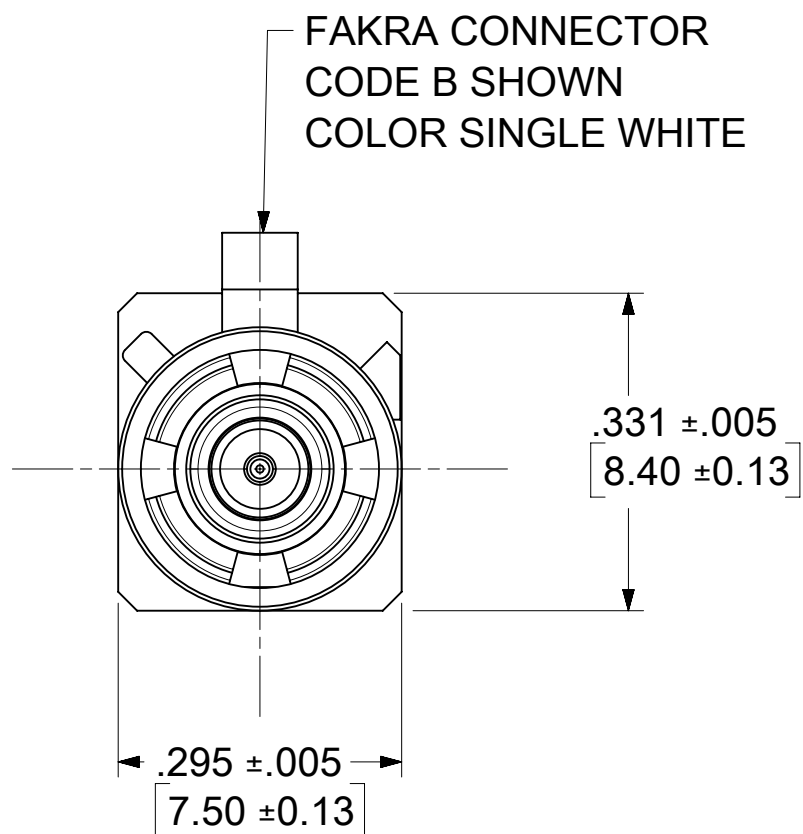
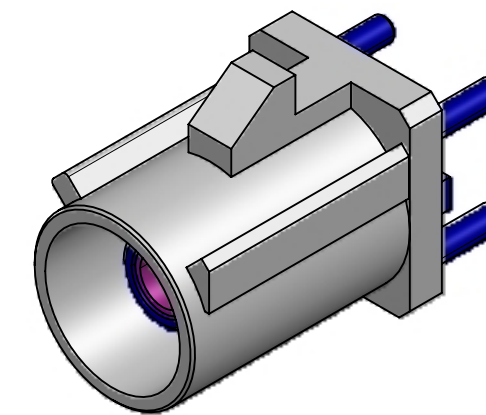
CENTER CONTACT BRASS  
 PLATED GOLD 5 MICROINCHES MIN. OVER  
 NICKEL 50 MICROINCHES MIN.

OUTER CASING NYLON46 30GF (STANYL TS200F6)  
 KEYING CODE B  
 COLOR SINGLE WHITE

INSULATOR TEFLON

RETENTION SPECIFICATION:

THE FAKRA CONNECTOR SHROUD WILL WITHSTAND  
 A LONGITUDINAL FORCE OF 110 N (24.75 LBS)



RECOMMENDED PCB LAYOUT

PART # 73403-5561

PS-89675-3310	PRODUCT SPECIFICATION
MIL-STD-348A, FIG. 311.1	INTERFACE SPECIFICATION
SPECIFICATION	DESCRIPTION

FUNCTIONAL SYMBOLS $\frac{F}{A} = 0$ $\frac{F}{C} = 0$ $\frac{F}{P} = 0$	THIS DRAWING CONTAINS INFORMATION THAT IS PROPRIETARY TO MOLEX ELECTRONIC TECHNOLOGIES, LLC AND SHOULD NOT BE USED WITHOUT WRITTEN PERMISSION	SCALE	CURRENT REV DESC:			
	DIMENSION UNITS	INCH/MM	NTS			
	GENERAL TOLERANCES (UNLESS SPECIFIED)			EC NO: 719496		
	ANGULAR TOL ± 2.0°			DRWN: ELIN 2022/08/17		
DIVISIONAL SYMBOLS 4 PLACES ± 3 PLACES ± 2 PLACES ± 1 PLACE ± 0 PLACES ±	DRAFT WHERE APPLICABLE MUST REMAIN WITHIN DIMENSIONS			THIRD ANGLE PROJECTION		
	DRAWING			SERIES		
	C-SIZE			73403		
	MATERIAL NUMBER			CUSTOMER		
DOCUMENT NUMBER		DOC TYPE		DOC PART		REVISION
SD-73403-556		PSD		001		A4
SEE TABLE		GENERAL MARKET		SHEET NUMBER		1 OF 8

DOCUMENT STATUS	P1	RELEASE DATE	2022/08/30	08:30:37
-----------------	----	--------------	------------	----------

**molex**

SMB JACK, FAKRA, VERTICAL PCB, 50 OHM  
 SMB-J/PCB, EWR # 14535

PRODUCT CUSTOMER DRAWING

MATERIALS AND FINISHES

BODY ZINC ALLOY  
 PLATED BRIGHT TIN 100 MICROINCHES MIN.

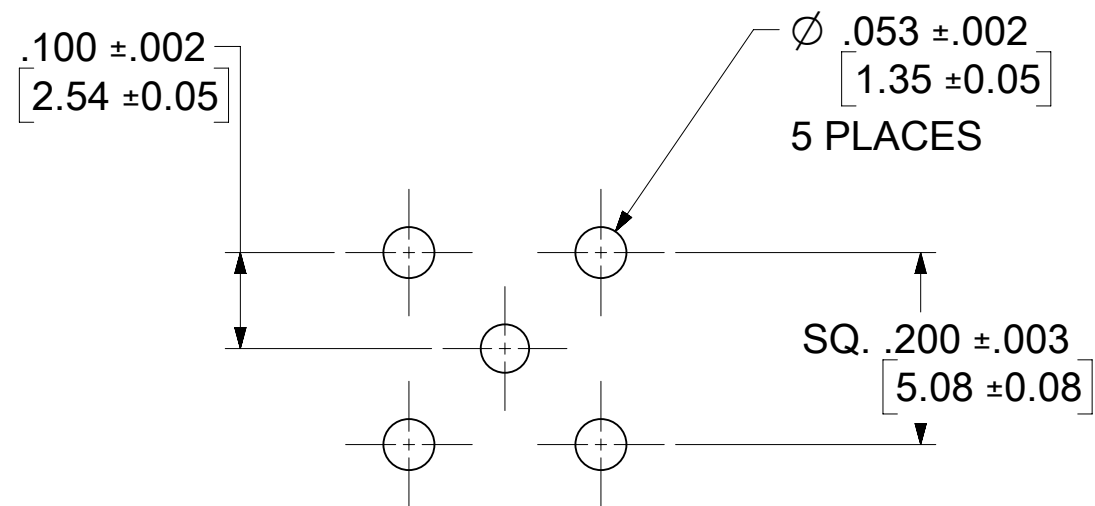
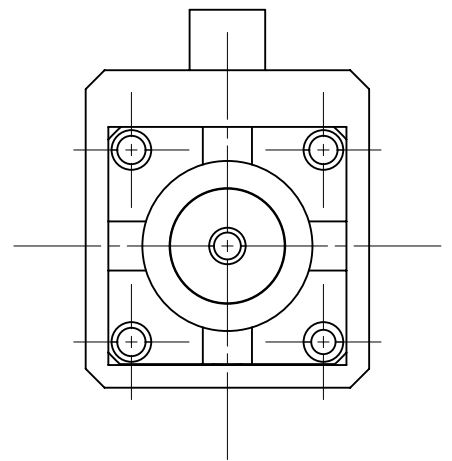
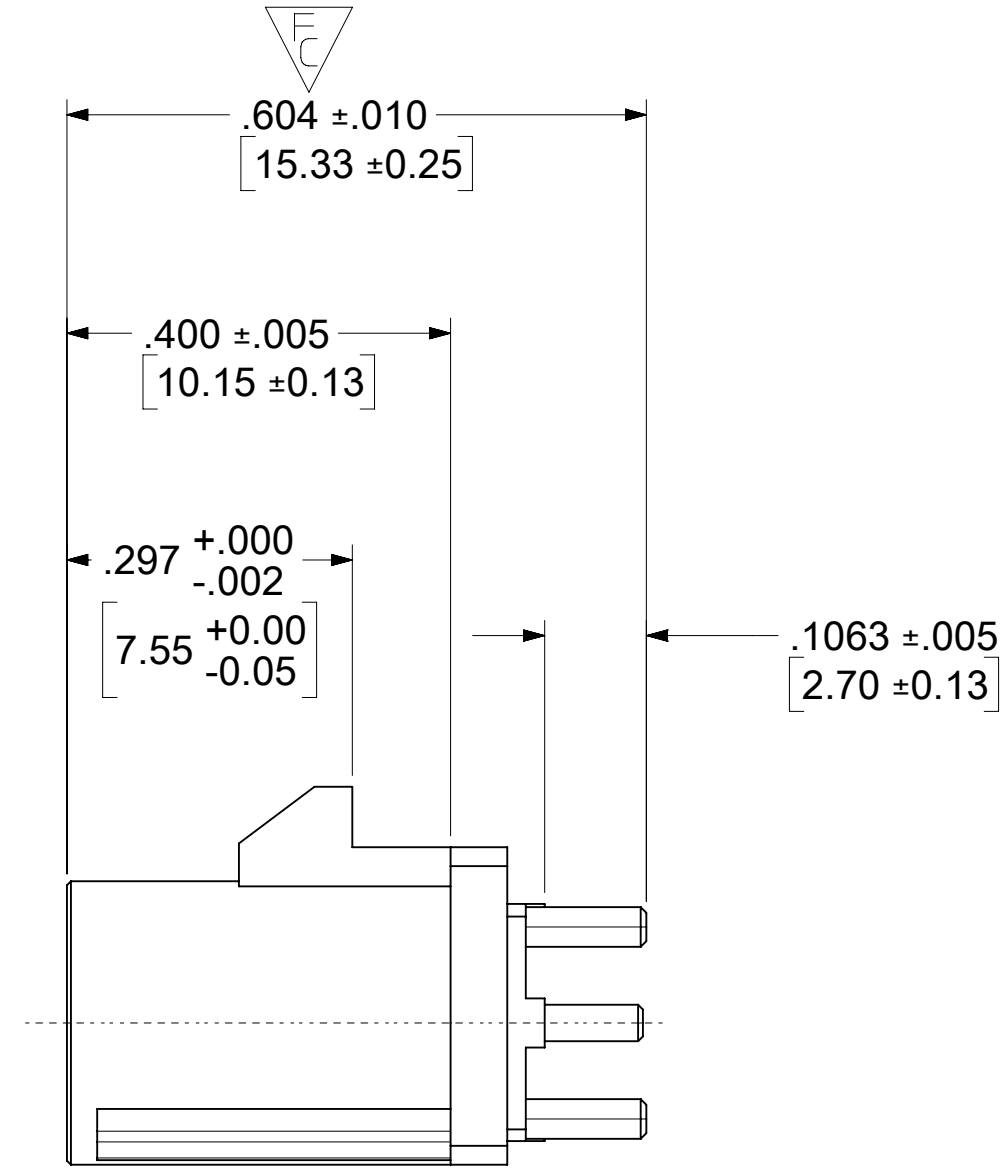
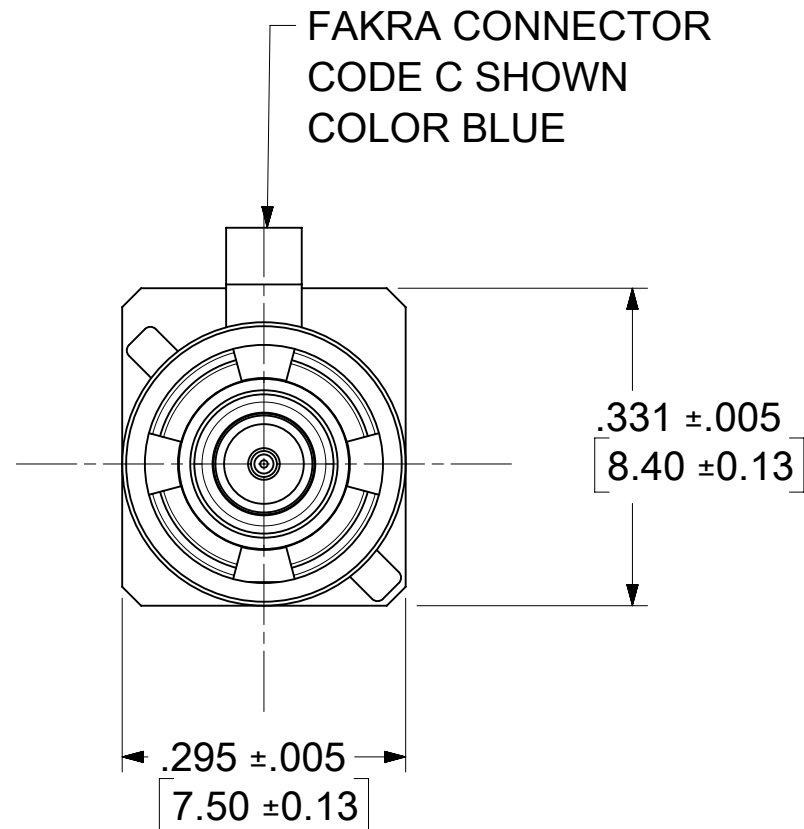
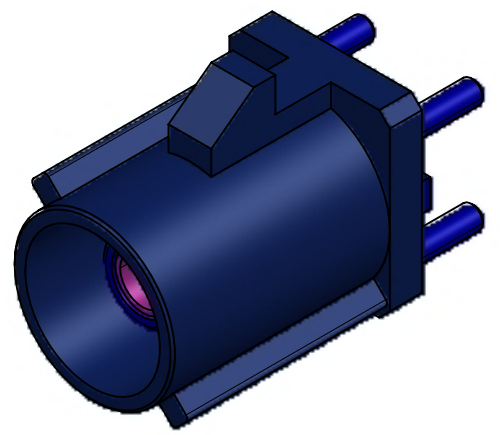
CENTER CONTACT BRASS  
 PLATED GOLD 5 MICROINCHES MIN. OVER  
 NICKEL 50 MICROINCHES MIN.

OUTER CASING NYLON46 30GF (STANYL TS200F6)  
 KEYING CODE C  
 COLOR BLUE

INSULATOR TEFLON

RETENTION SPECIFICATION:

THE FAKRA CONNECTOR SHROUD WILL WITHSTAND  
 A LONGITUDINAL FORCE OF 110 N (24.75 LBS)



RECOMMENDED PCB LAYOUT

PART # 73403-5562

PS-89675-3310	PRODUCT SPECIFICATION
MIL-STD-348A, FIG. 311.1	INTERFACE SPECIFICATION
SPECIFICATION	DESCRIPTION

FUNCTIONAL SYMBOLS $\frac{F}{A} = 0$ $\frac{E}{C} = 0$ $\frac{E}{P} = 0$	THIS DRAWING CONTAINS INFORMATION THAT IS PROPRIETARY TO MOLEX ELECTRONIC TECHNOLOGIES, LLC AND SHOULD NOT BE USED WITHOUT WRITTEN PERMISSION	SCALE	CURRENT REV DESC:			
	DIMENSION UNITS	INCH/MM	NTS			
	GENERAL TOLERANCES (UNLESS SPECIFIED)			EC NO: 719496		
	ANGULAR TOL ± 2.0°			DRWN: ELIN 2022/08/17		
DIVISIONAL SYMBOLS 4 PLACES ± 3 PLACES ± 2 PLACES ± 1 PLACE ± 0 PLACES ±	DRAFT WHERE APPLICABLE MUST REMAIN WITHIN DIMENSIONS			THIRD ANGLE PROJECTION		
	DRAWING			SERIES		
	C-SIZE			73403		
	MATERIAL NUMBER			CUSTOMER		
DOCUMENT NUMBER		DOC TYPE		DOC PART		REVISION
SD-73403-556		PSD		001		A4
SEE TABLE		GENERAL MARKET		SHEET NUMBER		2 OF 8

DOCUMENT STATUS	P1	RELEASE DATE	2022/08/30	08:30:37
-----------------	----	--------------	------------	----------

**molex**

SMB JACK, FAKRA, VERTICAL PCB, 50 OHM  
 SMB-J/PCB, EWR # 14535

PRODUCT CUSTOMER DRAWING

SD-73403-556

PSD 001 A4

SEE TABLE GENERAL MARKET 2 OF 8

MATERIALS AND FINISHES

BODY ZINC ALLOY  
 PLATED BRIGHT TIN 100 MICROINCHES MIN.

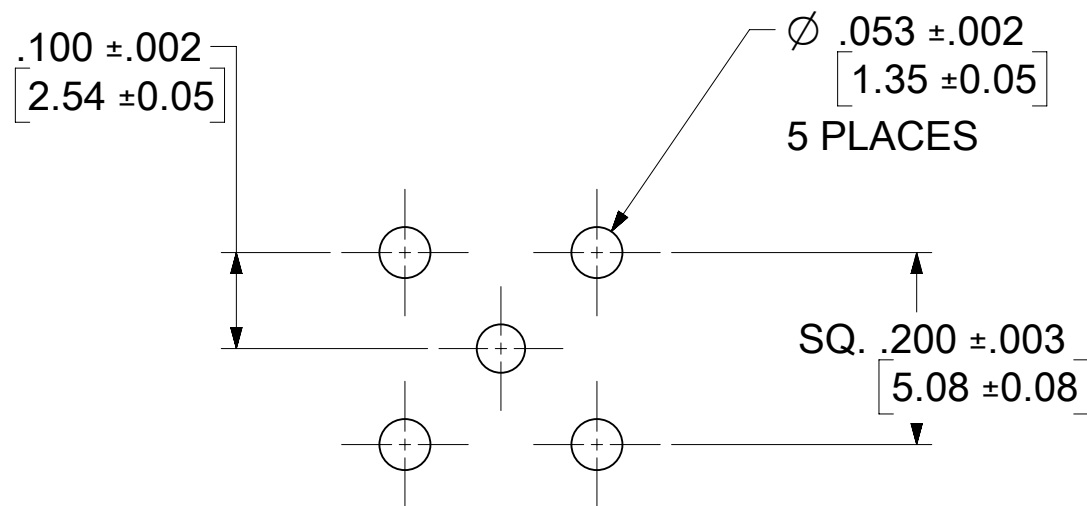
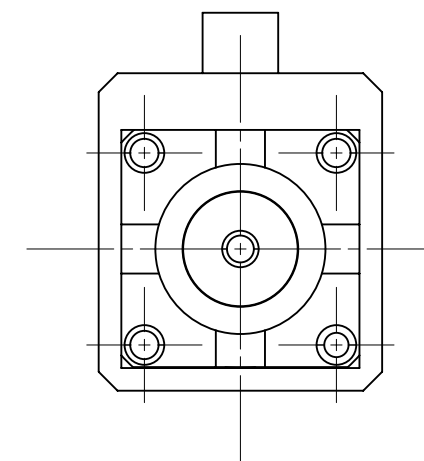
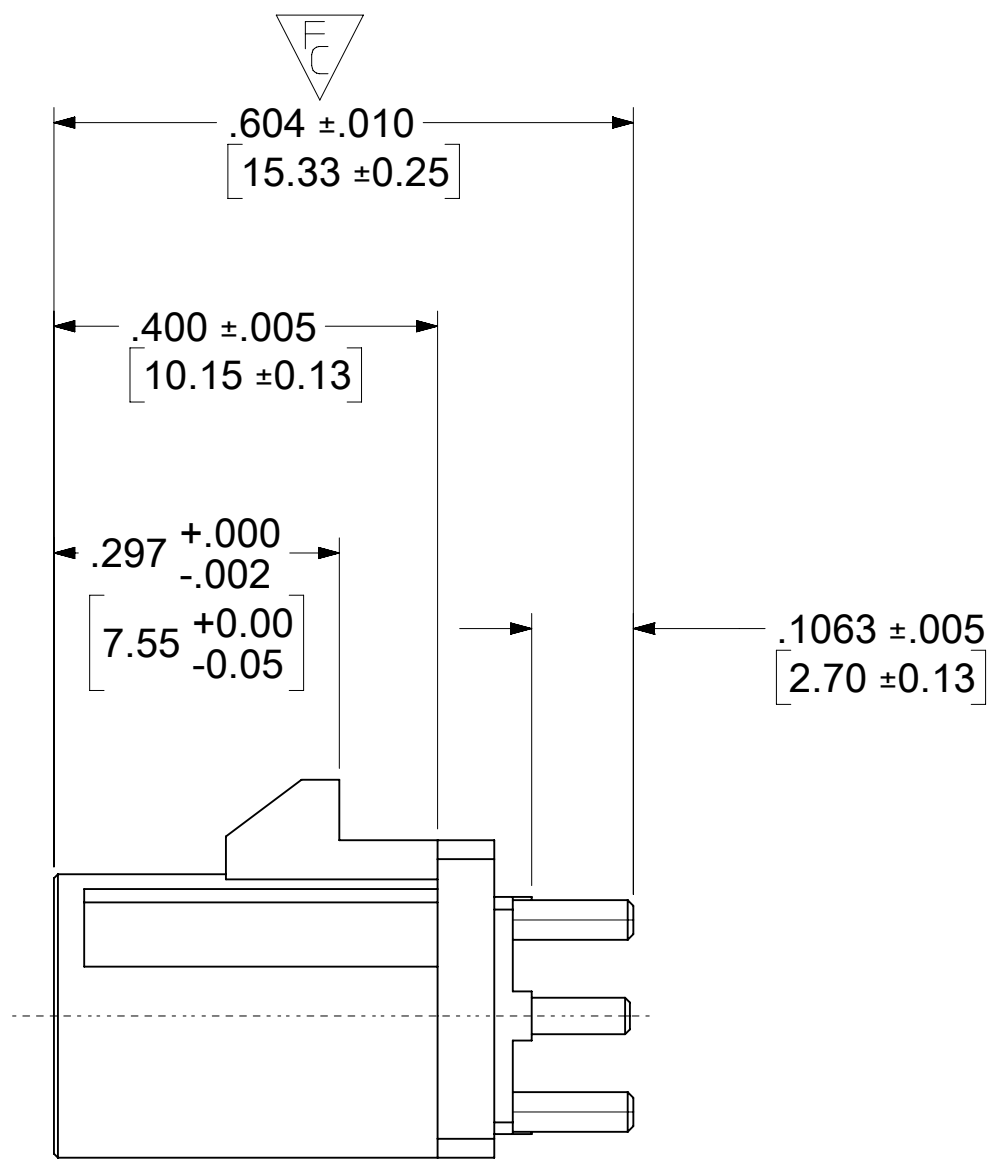
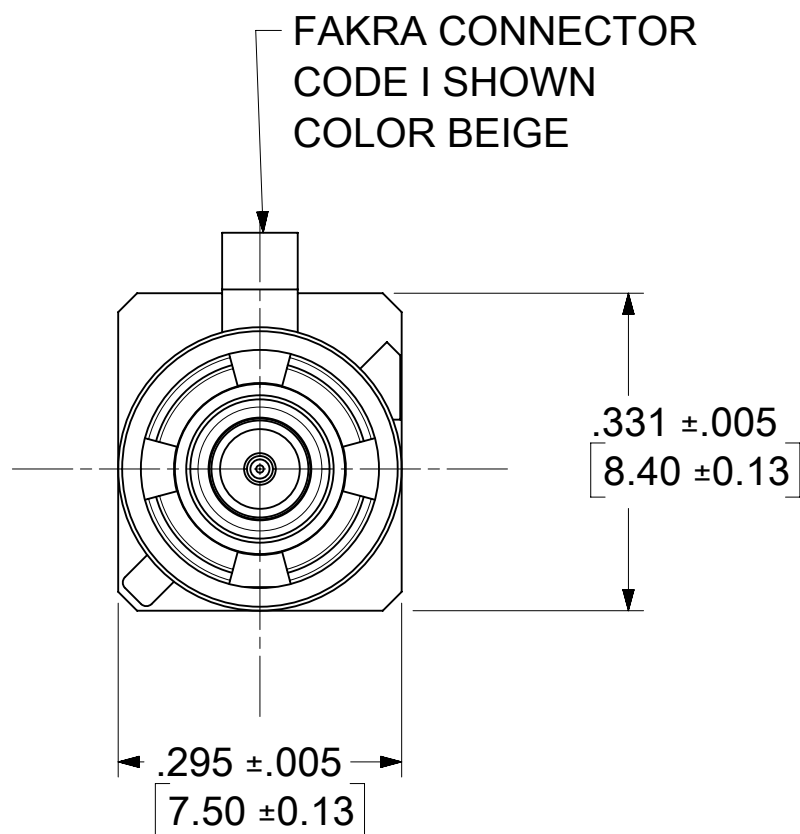
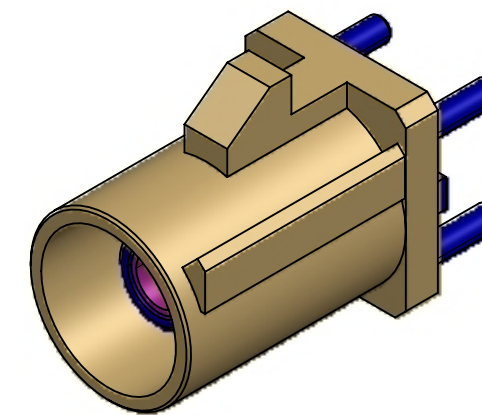
CENTER CONTACT BRASS  
 PLATED GOLD 5 MICROINCHES MIN. OVER  
 NICKEL 50 MICROINCHES MIN.

OUTER CASING NYLON46 30GF (STANYL TS200F6)  
 KEYING CODE I  
 COLOR BEIGE

INSULATOR TEFLON

RETENTION SPECIFICATION:

THE FAKRA CONNECTOR SHROUD WILL WITHSTAND  
 A LONGITUDINAL FORCE OF 110 N (24.75 LBS)



RECOMMENDED PCB LAYOUT

PART # 73403-5568

PS-89675-3310	PRODUCT SPECIFICATION
MIL-STD-348A, FIG. 311.1	INTERFACE SPECIFICATION
SPECIFICATION	DESCRIPTION

FUNCTIONAL SYMBOLS $\nabla_A = 0$ $\nabla_C = 0$ $\nabla_P = 0$	THIS DRAWING CONTAINS INFORMATION THAT IS PROPRIETARY TO MOLEX ELECTRONIC TECHNOLOGIES, LLC AND SHOULD NOT BE USED WITHOUT WRITTEN PERMISSION	SCALE		CURRENT REV DESC:												
	DIMENSION UNITS	INCH/MM	SCALE	NTS	GENERAL TOLERANCES (UNLESS SPECIFIED)											
	DIVISIONAL SYMBOLS	4 PLACES	±	ANGULAR TOL	± 2.0°	EC NO: 719496	DRWN: ELIN	2022/08/17	PRODUCT CUSTOMER DRAWING							
	3 PLACES	±	2 PLACES	±	1 PLACE	±	0 PLACES	±	INITIAL REVISION:	DRWN: ELIN	2010/01/20	APPR: YCHENG	2022/08/30	SD-73403-556	PSD	001
DRAFT WHERE APPLICABLE MUST REMAIN WITHIN DIMENSIONS		THIRD ANGLE PROJECTION		DRAWING		SERIES		MATERIAL NUMBER		CUSTOMER		SHEET NUMBER				
				C-SIZE		73403		SEE TABLE		GENERAL MARKET		3 OF 8				

DOCUMENT STATUS	P1	RELEASE DATE	2022/08/30	08:30:37
-----------------	----	--------------	------------	----------

MATERIALS AND FINISHES

BODY ZINC ALLOY  
 PLATED BRIGHT TIN 100 MICROINCHES MIN.

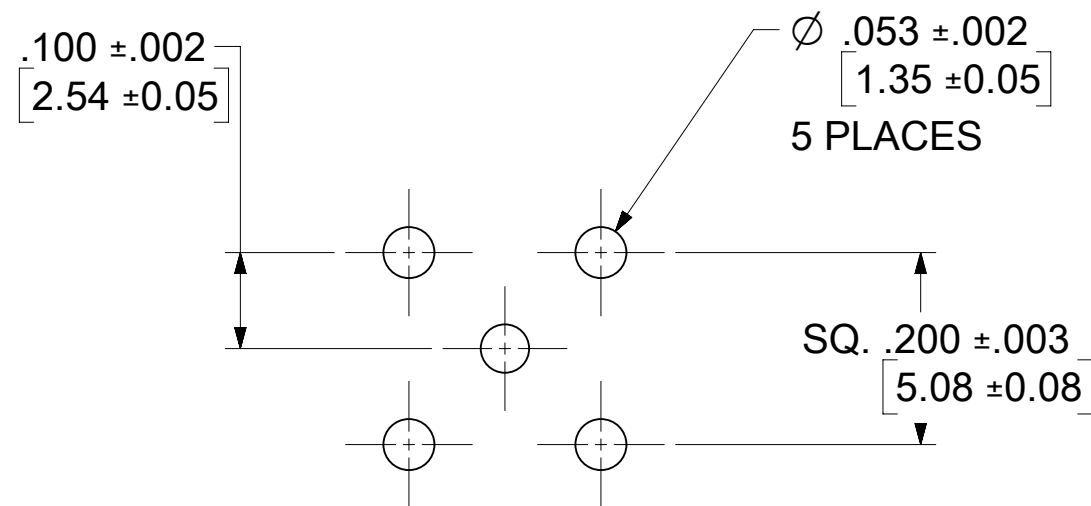
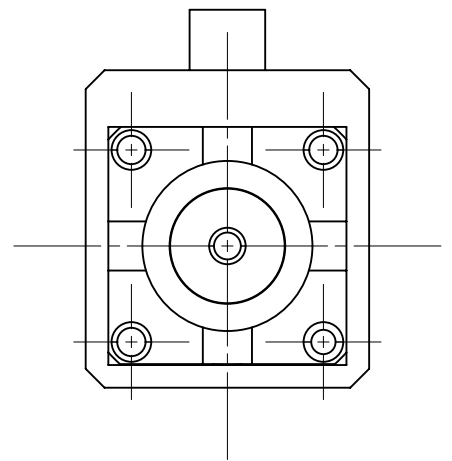
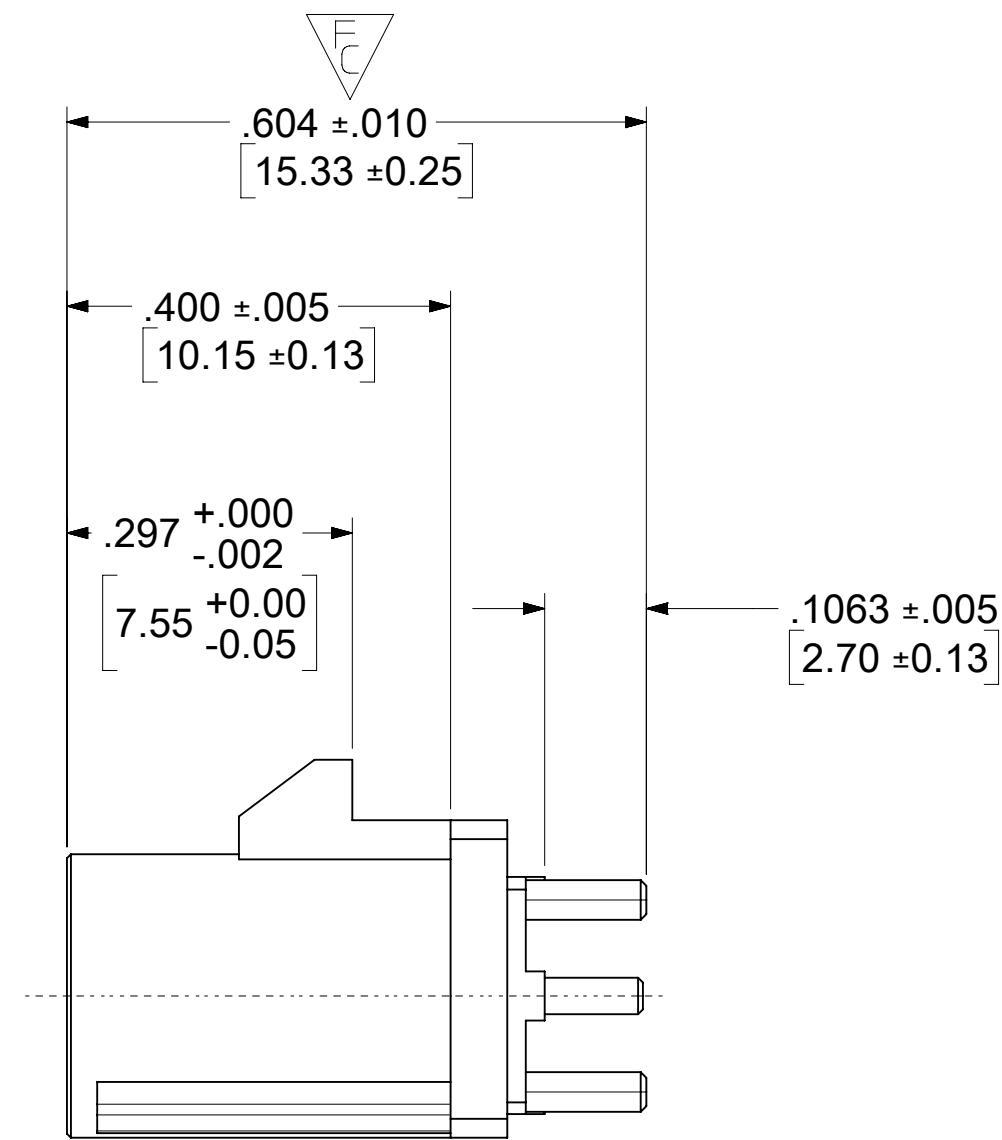
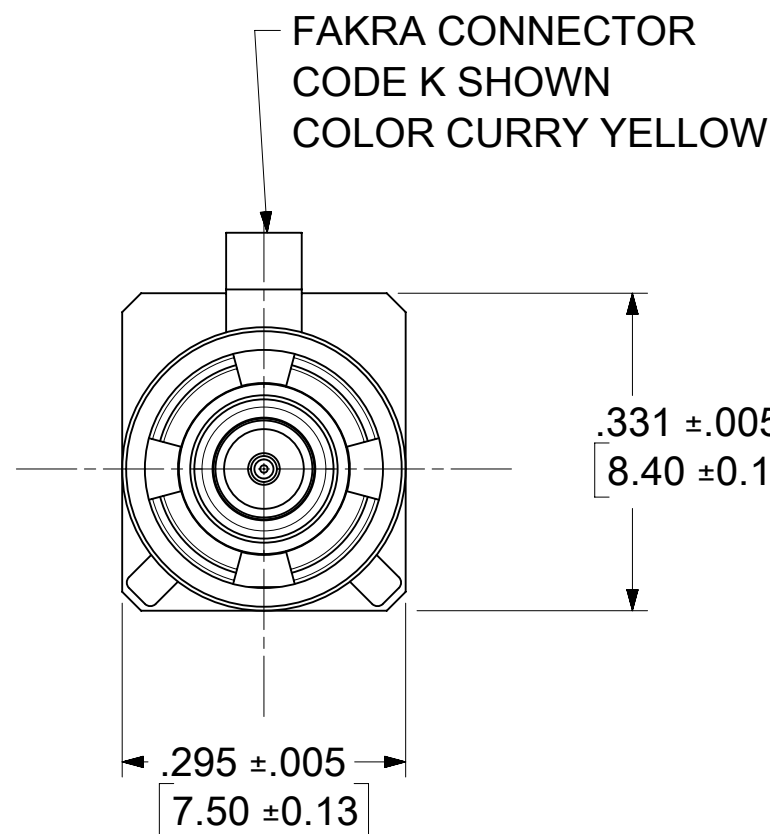
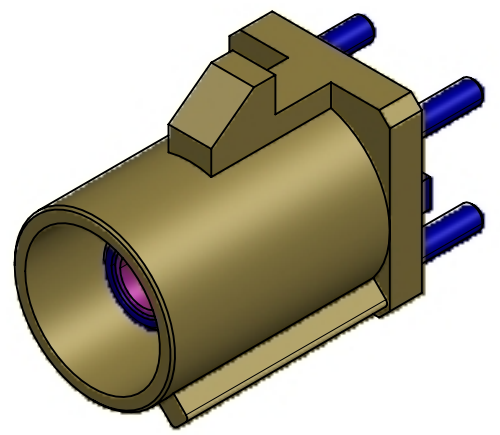
CENTER CONTACT BRASS  
 PLATED GOLD 5 MICROINCHES MIN. OVER  
 NICKEL 50 MICROINCHES MIN.

OUTER CASING NYLON46 30GF (STANYL TS200F6)  
 KEYING CODE K  
 COLOR CURRY YELLOW

INSULATOR TEFLON

RETENTION SPECIFICATION:

THE FAKRA CONNECTOR SHROUD WILL WITHSTAND  
 A LONGITUDINAL FORCE OF 110 N (24.75 LBS)



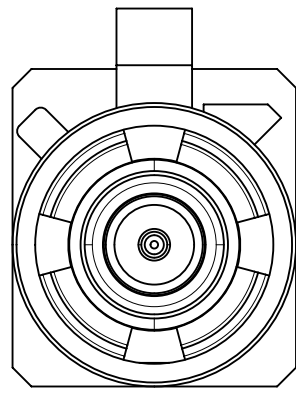
RECOMMENDED PCB LAYOUT

PART # 73403-5569

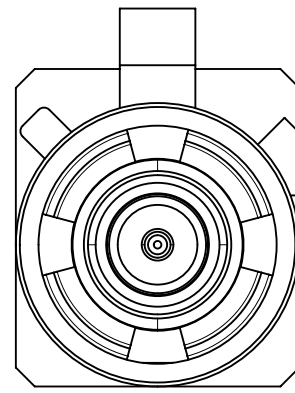
PS-89675-3310	PRODUCT SPECIFICATION
MIL-STD-348A, FIG. 311.1	INTERFACE SPECIFICATION
SPECIFICATION	DESCRIPTION

FUNCTIONAL SYMBOLS $\nabla_A = 0$ $\nabla_C = 0$ $\nabla_P = 0$	THIS DRAWING CONTAINS INFORMATION THAT IS PROPRIETARY TO MOLEX ELECTRONIC TECHNOLOGIES, LLC AND SHOULD NOT BE USED WITHOUT WRITTEN PERMISSION	SCALE		CURRENT REV DESC:			
	DIMENSION UNITS	INCH/MM	SCALE			NTS	
	GENERAL TOLERANCES (UNLESS SPECIFIED)						
	ANGULAR TOL ± 2.0°						
DIVISIONAL SYMBOLS	4 PLACES ±	EC NO: 719496		2022/08/17	PRODUCT CUSTOMER DRAWING DOCUMENT NUMBER: SD-73403-556 DOC TYPE: PSD DOC PART: 001 REVISION: A4		
	3 PLACES ±	DRWN: ELIN		2022/08/30			
	2 PLACES ±	CHK'D: YCHENG		2022/08/30			
	1 PLACE ±	APPR: YCHENG		2022/08/30			
0 PLACES ±	INITIAL REVISION:		2010/01/20	2010/01/27			
DRAFT WHERE APPLICABLE MUST REMAIN WITHIN DIMENSIONS		THIRD ANGLE PROJECTION	DRAWING	SERIES	MATERIAL NUMBER	CUSTOMER	SHEET NUMBER
			C-SIZE	73403	SEE TABLE	GENERAL MARKET	4 OF 8

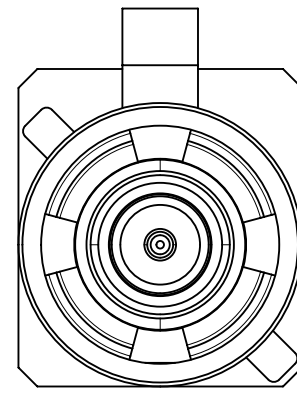




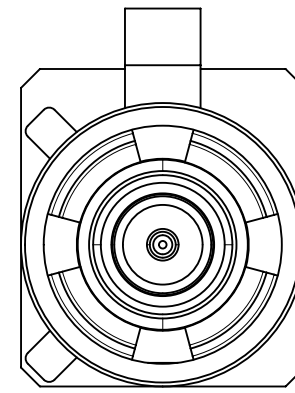
CODE A



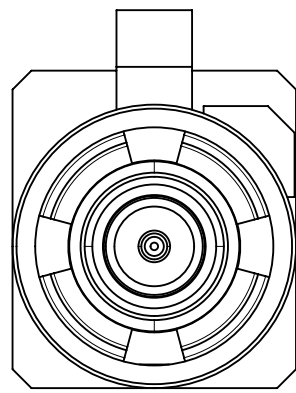
CODE B



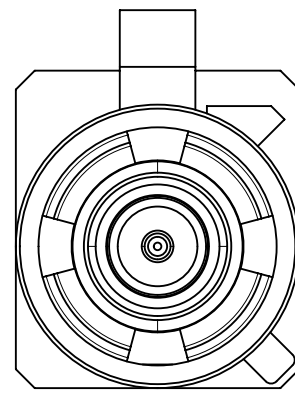
CODE C



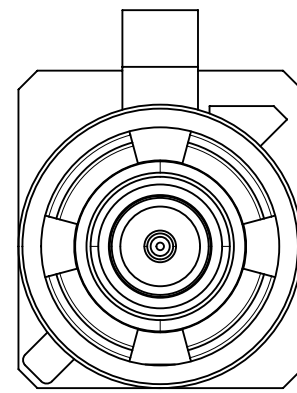
CODE D



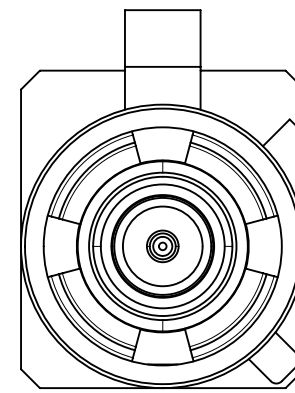
CODE E



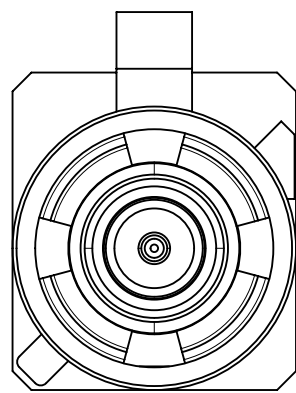
CODE F



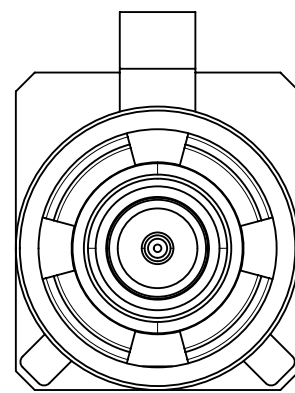
CODE G



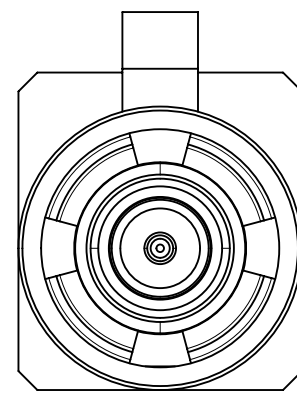
CODE H



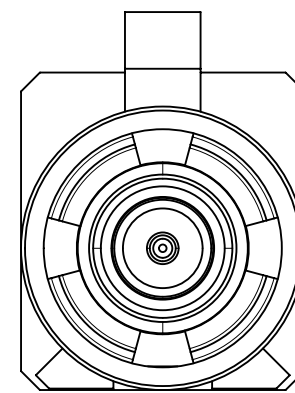
CODE I



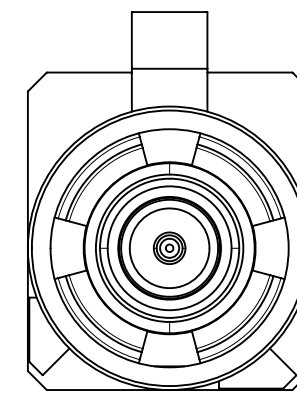
CODE K



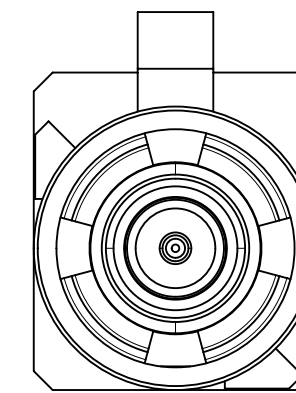
CODE Z



CODE L



CODE M



CODE N

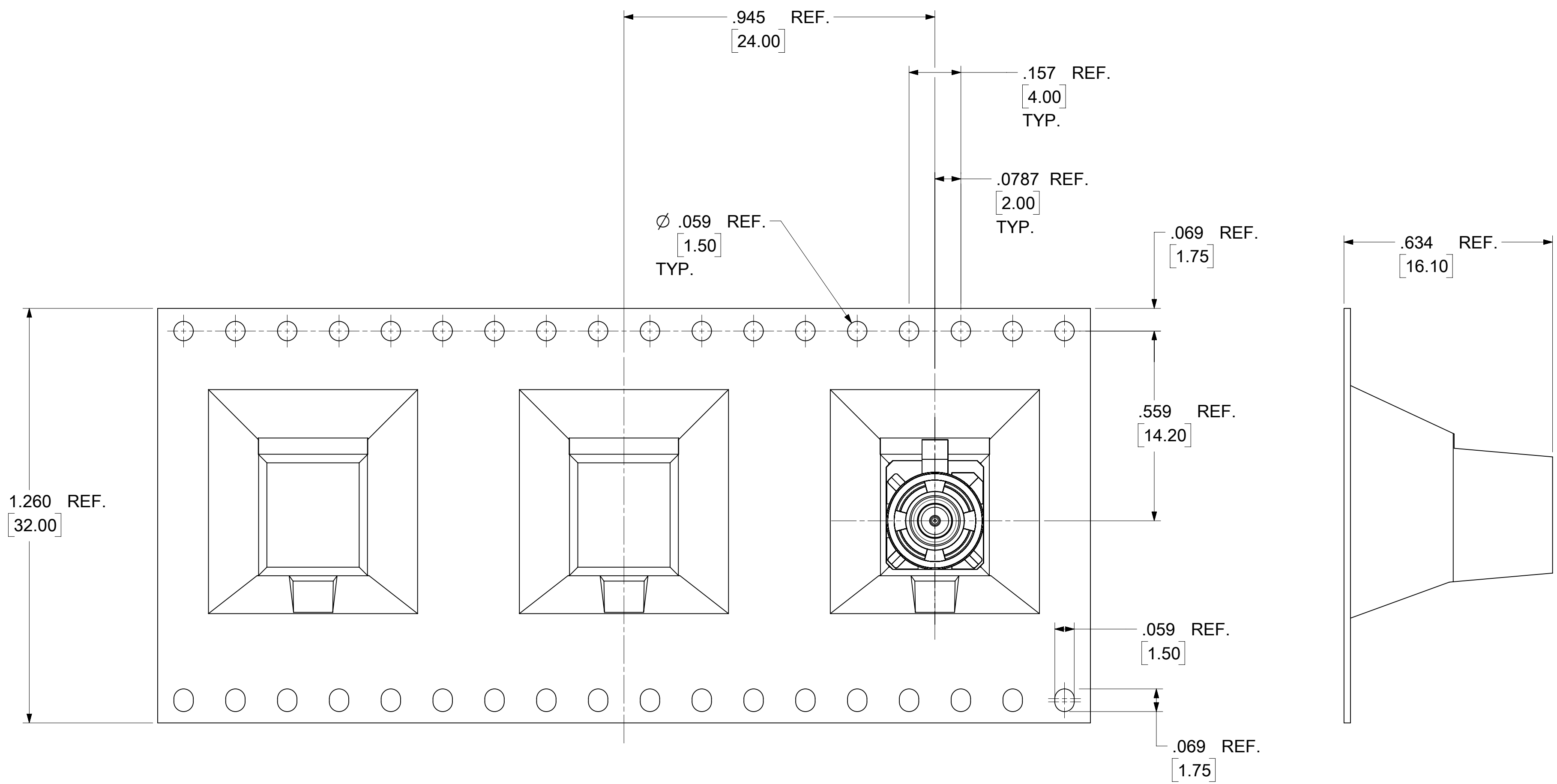
N	PASTEL GREEN	73403-5573
M	PASTEL ORANGE	73403-5572
L	CARMINE RED	73403-5571
Z	WATER BLUE	73403-5570
K	CURRY YELLOW	73403-5569
I	BEIGE	73403-5568
H	VIOLET	73403-5567
G	GRAY	73403-5566
F	BROWN	73403-5565
E	GREEN	73403-5564
D	BORDEAUXVIOLET	73403-5563
C	BLUE	73403-5562
B	SINGLE WHITE	73403-5561
A	BLACK	73403-5560
KEYING CODE	COLOR	PART NO.

FUNCTIONAL SYMBOLS	THIS DRAWING CONTAINS INFORMATION THAT IS PROPRIETARY TO MOLEX ELECTRONIC TECHNOLOGIES, LLC AND SHOULD NOT BE USED WITHOUT WRITTEN PERMISSION							
	DIMENSION UNITS	SCALE	CURRENT REV DESC:					
$\frac{E}{A} = 0$	INCH/MM	NTS	EC NO: 719496 DRWN: ELIN 2022/08/17 CHK'D: YCHENG 2022/08/30 APPR: YCHENG 2022/08/30					
$\frac{E}{C} = 0$	GENERAL TOLERANCES (UNLESS SPECIFIED)							
$\frac{E}{P} = 0$	ANGULAR TOL $\pm 2.0^\circ$							
DIVISIONAL SYMBOLS	4 PLACES	$\pm$	INITIAL REVISION: DRWN: ELIN 2010/01/20 APPR: MHUANG 2010/01/27					
	3 PLACES	$\pm$						
	2 PLACES	$\pm$						
	1 PLACE	$\pm$						
	0 PLACES	$\pm$						
DRAFT WHERE APPLICABLE MUST REMAIN WITHIN DIMENSIONS		THIRD ANGLE PROJECTION	DRAWING	SERIES	DOCUMENT NUMBER	DOC TYPE	DOC PART	REVISION
			C-SIZE	73403	SD-73403-556	PSD	001	A4
					SEE TABLE	GENERAL MARKET		5 OF 8

**molex**

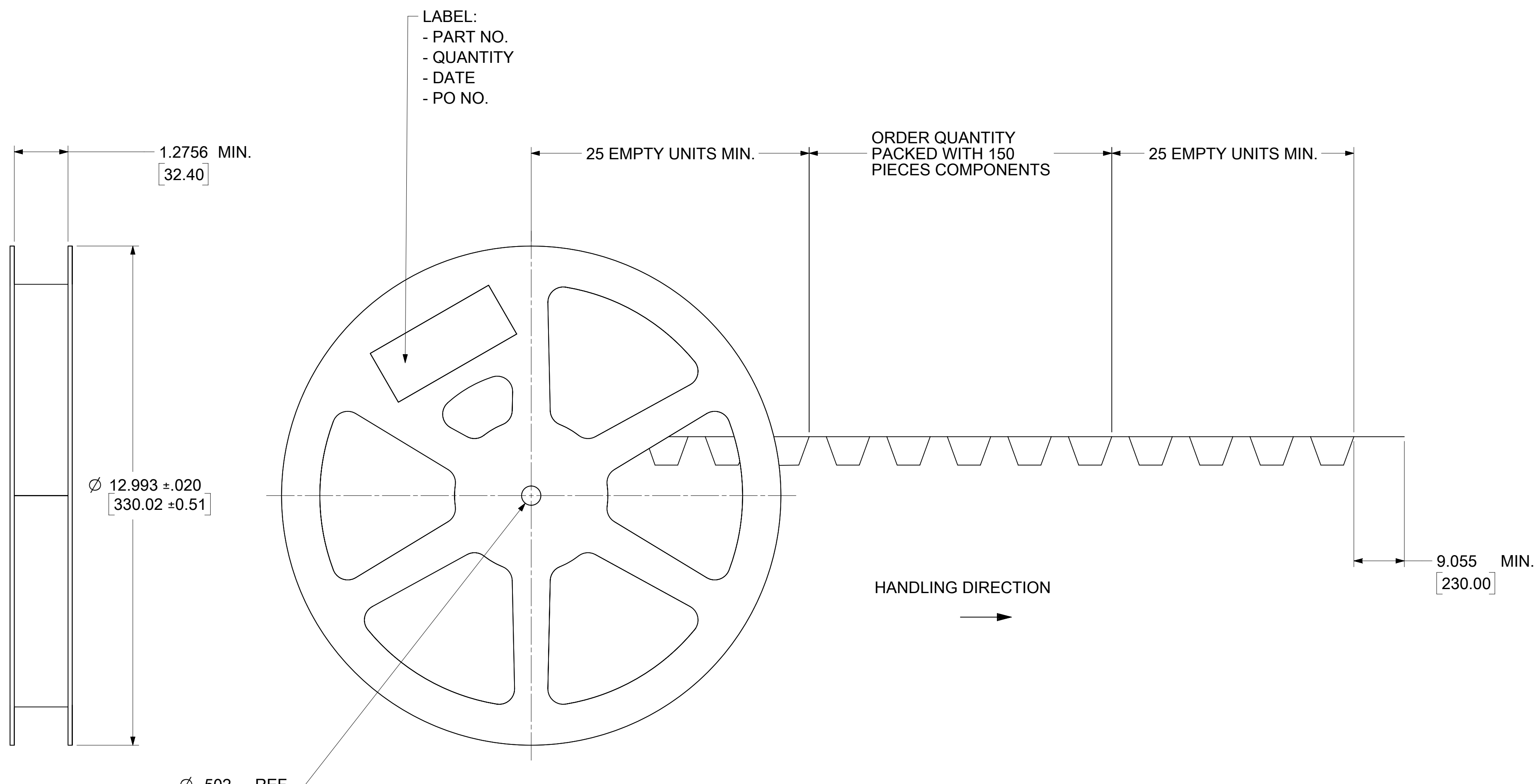
SMB JACK, FAKRA, VERTICAL PCB, 50 OHM  
SMB-J/PCB, EWR # 14535

PRODUCT CUSTOMER DRAWING



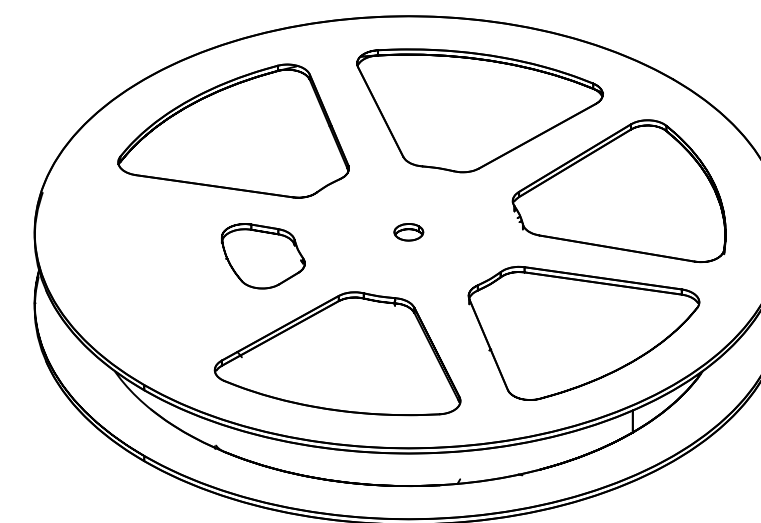
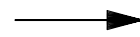
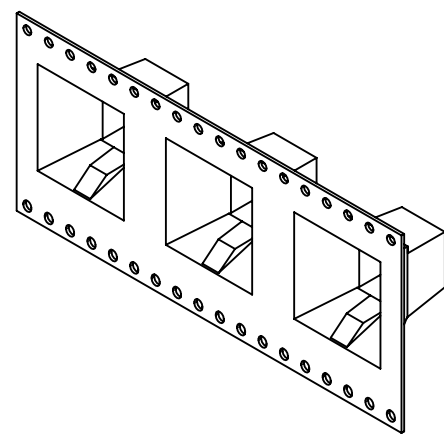
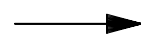
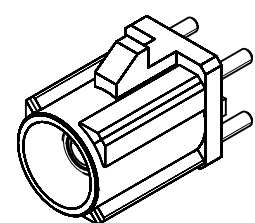
FUNCTIONAL SYMBOLS	THIS DRAWING CONTAINS INFORMATION THAT IS PROPRIETARY TO MOLEX ELECTRONIC TECHNOLOGIES, LLC AND SHOULD NOT BE USED WITHOUT WRITTEN PERMISSION										
DIMENSION UNITS	SCALE	CURRENT REV DESC:									
INCH/MM	NTS	EC NO: 719496 DRWN: ELIN 2022/08/17 CHK'D: YCHENG 2022/08/30 APPR: YCHENG 2022/08/30									
GENERAL TOLERANCES (UNLESS SPECIFIED)	SMB JACK, FAKRA, VERTICAL PCB, 50 OHM SMB-J/PCB, EWR # 14535										
ANGULAR TOL $\pm$ 2.0°	PRODUCT CUSTOMER DRAWING										
4 PLACES $\pm$	DOCUMENT NUMBER										
3 PLACES $\pm$	SD-73403-556										
2 PLACES $\pm$	DOC TYPE										
1 PLACE $\pm$	PSD										
0 PLACES $\pm$	DOC PART										
DRAFT WHERE APPLICABLE MUST REMAIN WITHIN DIMENSIONS	THIRD ANGLE PROJECTION	DRAWING	SERIES	MATERIAL NUMBER	CUSTOMER	SHEET NUMBER	REVISION	A4	A4	6 OF 8	

DOCUMENT STATUS	P1	RELEASE DATE	2022/08/30	08:30:37
-----------------	----	--------------	------------	----------

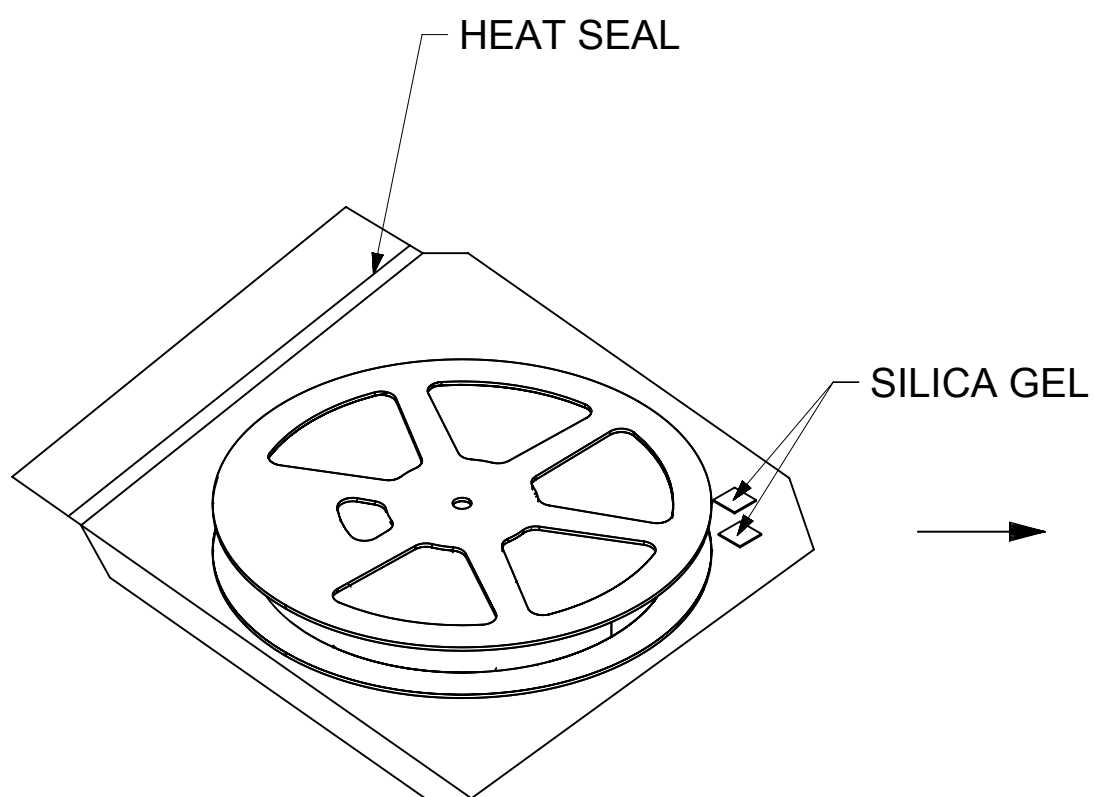


NOTE:  
13" REEL SIZE FOR 150 PIECES

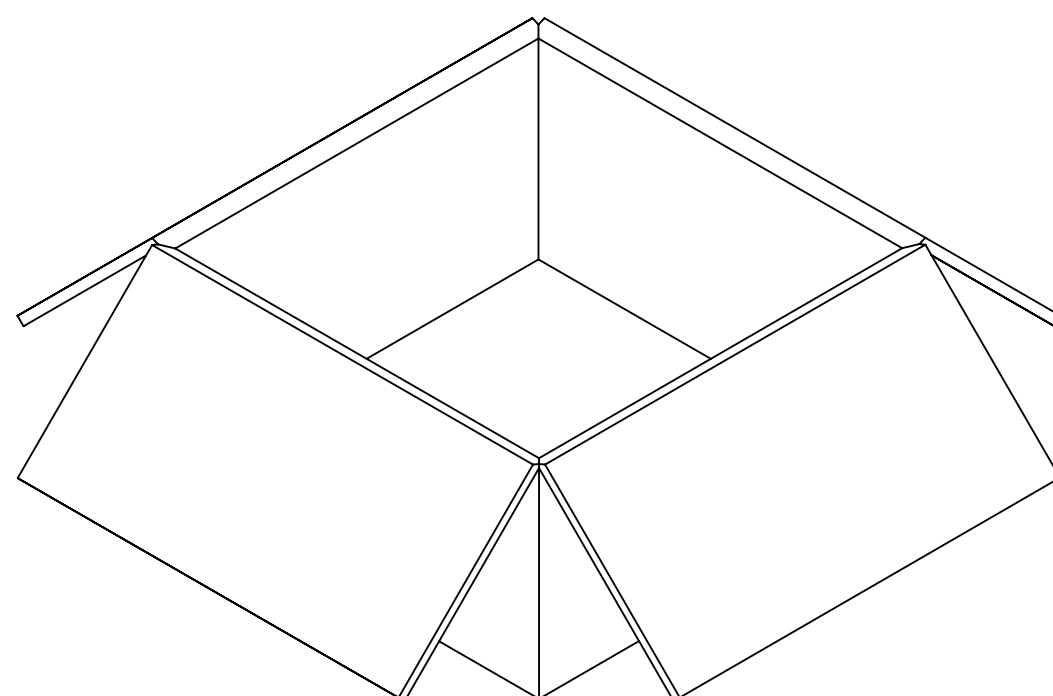
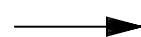
FUNCTIONAL SYMBOLS										THIS DRAWING CONTAINS INFORMATION THAT IS PROPRIETARY TO MOLEX ELECTRONIC TECHNOLOGIES, LLC AND SHOULD NOT BE USED WITHOUT WRITTEN PERMISSION																													
DIMENSION UNITS					SCALE					CURRENT REV DESC:					<p>SMB JACK, FAKRA, VERTICAL PCB, 50 OHM SMB-J/PCB, EWR # 14535</p> <p>PRODUCT CUSTOMER DRAWING</p>																								
INCH/MM					NTS					EC NO: 719496 DRWN: ELIN 2022/08/17 CHK'D: YCHENG 2022/08/30 APPR: YCHENG 2022/08/30																													
GENERAL TOLERANCES (UNLESS SPECIFIED)																																							
ANGULAR TOL ± 2.0°					4 PLACES ±					INITIAL REVISION:					DOCUMENT NUMBER					DOC TYPE					DOC PART					REVISION									
DIVISIONAL SYMBOLS					3 PLACES ±					DRWN: ELIN 2010/01/20					SD-73403-556					PSD					001					A4									
2 PLACES ±					APPR: YCHENG 2010/01/27					MATERIAL NUMBER					CUSTOMER					SHEET NUMBER																			
1 PLACE ±					DRAFT WHERE APPLICABLE MUST REMAIN WITHIN DIMENSIONS					THIRD ANGLE PROJECTION					DRAWING					SERIES					SEE TABLE					GENERAL MARKET					7 OF 8				
0 PLACES ±					C-SIZE					73403																													



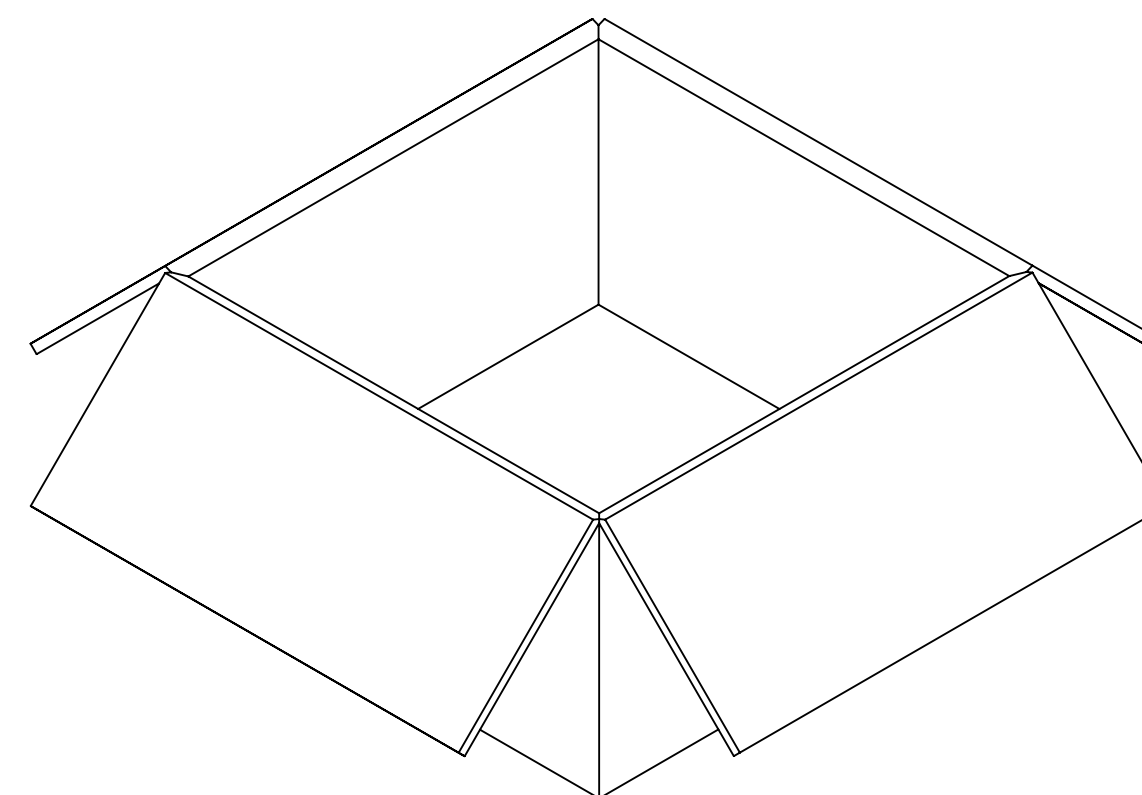
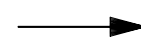
150 SET PER 13" REEL



HDPE BAG



600 SET PER INNER  
CARTON BOX



600 SET PER OUTER  
CARTON BOX

FUNCTIONAL SYMBOLS	THIS DRAWING CONTAINS INFORMATION THAT IS PROPRIETARY TO MOLEX ELECTRONIC TECHNOLOGIES, LLC AND SHOULD NOT BE USED WITHOUT WRITTEN PERMISSION										
	DIMENSION UNITS	SCALE	CURRENT REV DESC:							<b>molex</b>	
$\frac{F}{A} = 0$	INCH/MM	NTS	EC NO: 719496								
$\frac{E}{C} = 0$	GENERAL TOLERANCES (UNLESS SPECIFIED)		DRWN: ELIN							SMB-J/PCB, EWR # 14535	
$\frac{E}{P} = 0$	ANGULAR TOL $\pm 2.0^\circ$		2022/08/17							PRODUCT CUSTOMER DRAWING	
DIVISIONAL SYMBOLS	4 PLACES	$\pm$	CHK'D: YCHENG							DOCUMENT NUMBER	
	3 PLACES	$\pm$	2022/08/30							SD-73403-556	
	2 PLACES	$\pm$	APPR: YCHENG							DOC TYPE	
	1 PLACE	$\pm$	INITIAL REVISION:							DOC PART	
0 PLACES	$\pm$	2010/01/20							REVISION		
DRAFT WHERE APPLICABLE MUST REMAIN WITHIN DIMENSIONS		THIRD ANGLE PROJECTION		DRAWING	SERIES	MATERIAL NUMBER	CUSTOMER	SHEET NUMBER			
				C-SIZE	73403	SEE TABLE	GENERAL MARKET	8 OF 8			

DOCUMENT STATUS	P1	RELEASE DATE	2022/08/30	08:30:37
-----------------	----	--------------	------------	----------