

H G F E D C B A

A.4: Validé

MASS ± 5%	20.5 g
-----------	--------

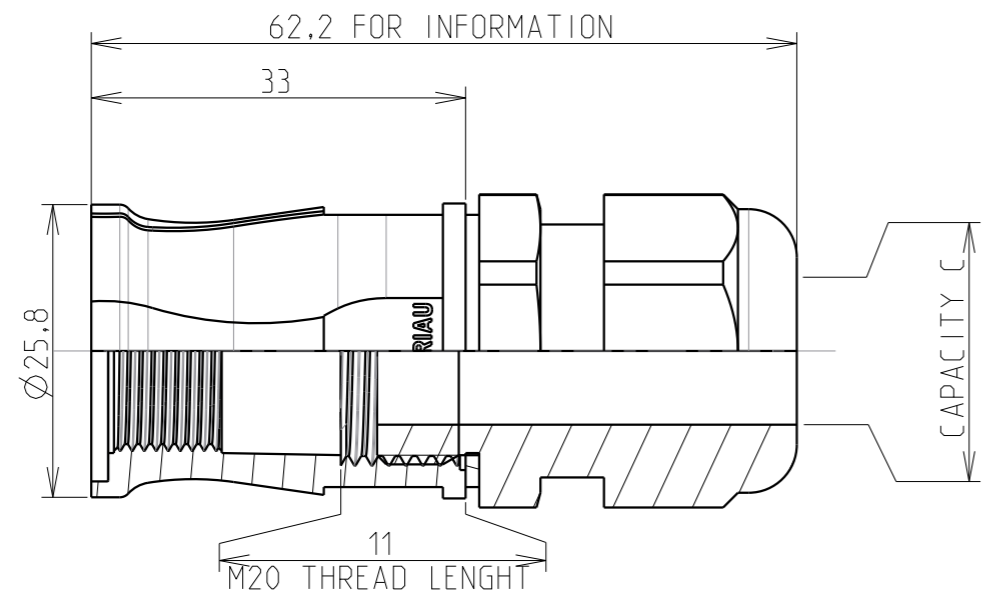
NOTES

MATERIALS
 BACKSHELL BODY BLACK POLYAMID
 CABLE GLAND BLACK POLYAMID + CR

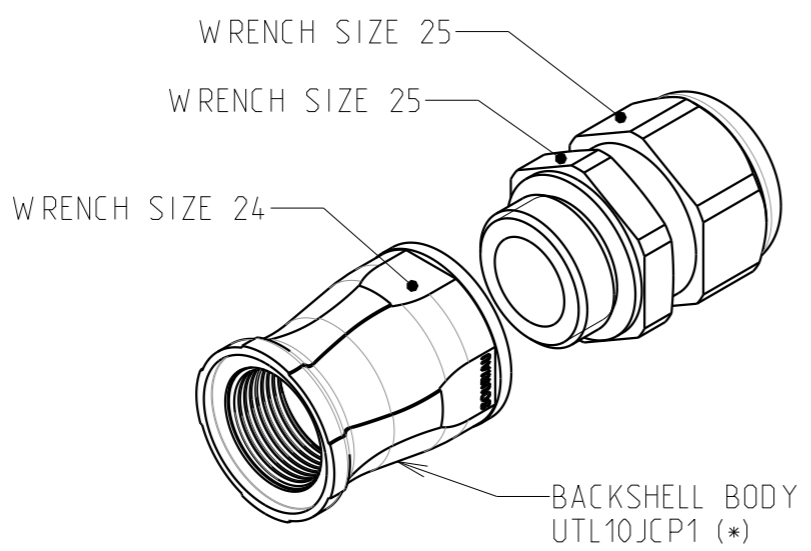
PERFORMANCES CHARACTERISTICS
MECHANICAL
 TEMPERATURE CLASS IEC61984/UL1977 -40°C TO 105°C
 SEALING IN ASSEMBLY CONDITIONS IEC60529 IP68 1BAR DURING 1WEEK
 DIN40050 IP69K
 MIN 1000H
CORROSION SALT SPRAY

ROHS COMPLIANT

1. COUNTERPART REFERENCE UTL THREADED PLUG OR THREADED RECEPTACLE
2. CONNECTORS ARE DELIVERED AS PRE-ASSEMBLED KIT
3. CAPACITY C : Ø6.5 / Ø12
4. (*): OPTIONAL ORDERING PART NUMBERS TO BE ORDERED SEPARATELY
5. UNIT IN MM



COUPE A-A
 ECHELLE 3/2



SOURIAU shall not be liable for any non-conformity or damage due to a use of the Products which does not comply with the Specifications issued by either of the Parties or by a third party (professional recommendation, technical notice.)

Country	Jurisdiction & Control List
FR	NOT LISTED

P/N : UTL10JC

A	13/2/18	Creation	
ISS	DATE	Latest modification - by:	MOD N°
		R.M. Date: 13/2/18	CUSTOMER DRAWING
TITLE		THREADED BACKSHELL ASSEMBLY SIZE 10 UTL CONNECTOR	
Scale	1/1	General linear Tolerances: ± 0.2	NPRDS / PROJECT BE170912A
SOURIAU		WWW.SOURIAU.COM	
This document is the property of SOURIAU. It must not be reproduced or communicated without permission.			
FORMAT	SOURIAU DRG N°		SHEET
A3	UTL1-0107A-C		1 / 1

H G F E D C B A