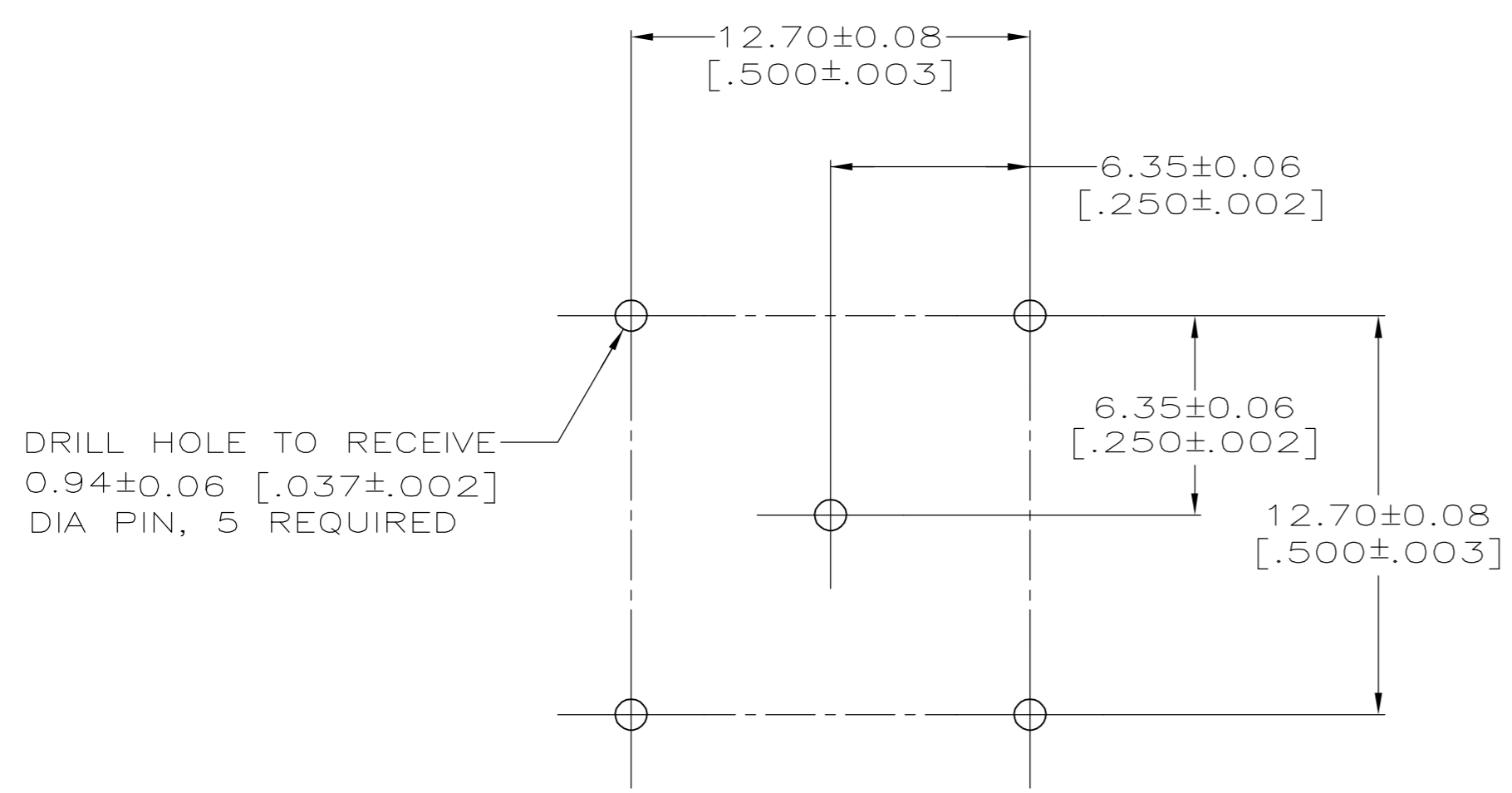
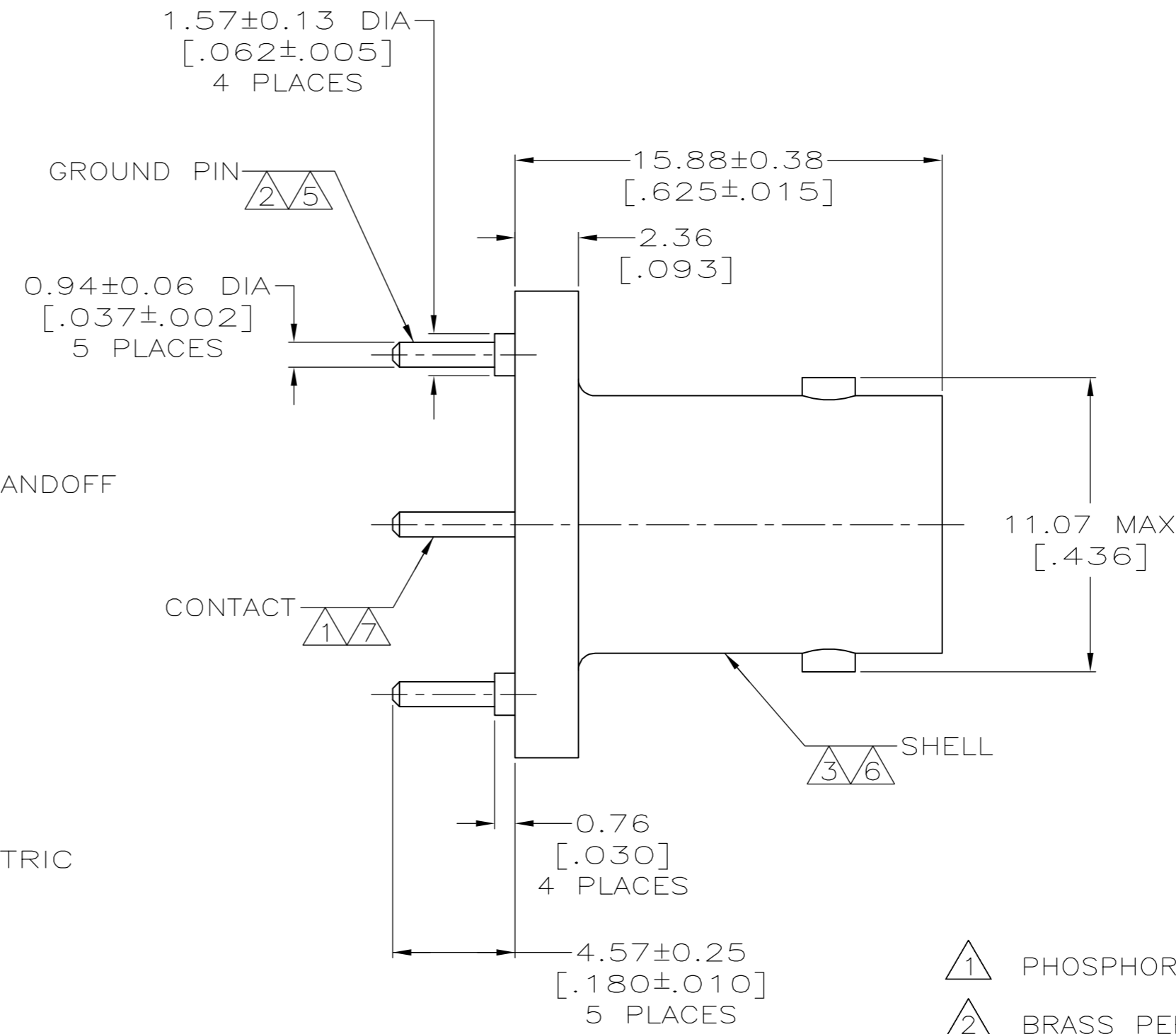
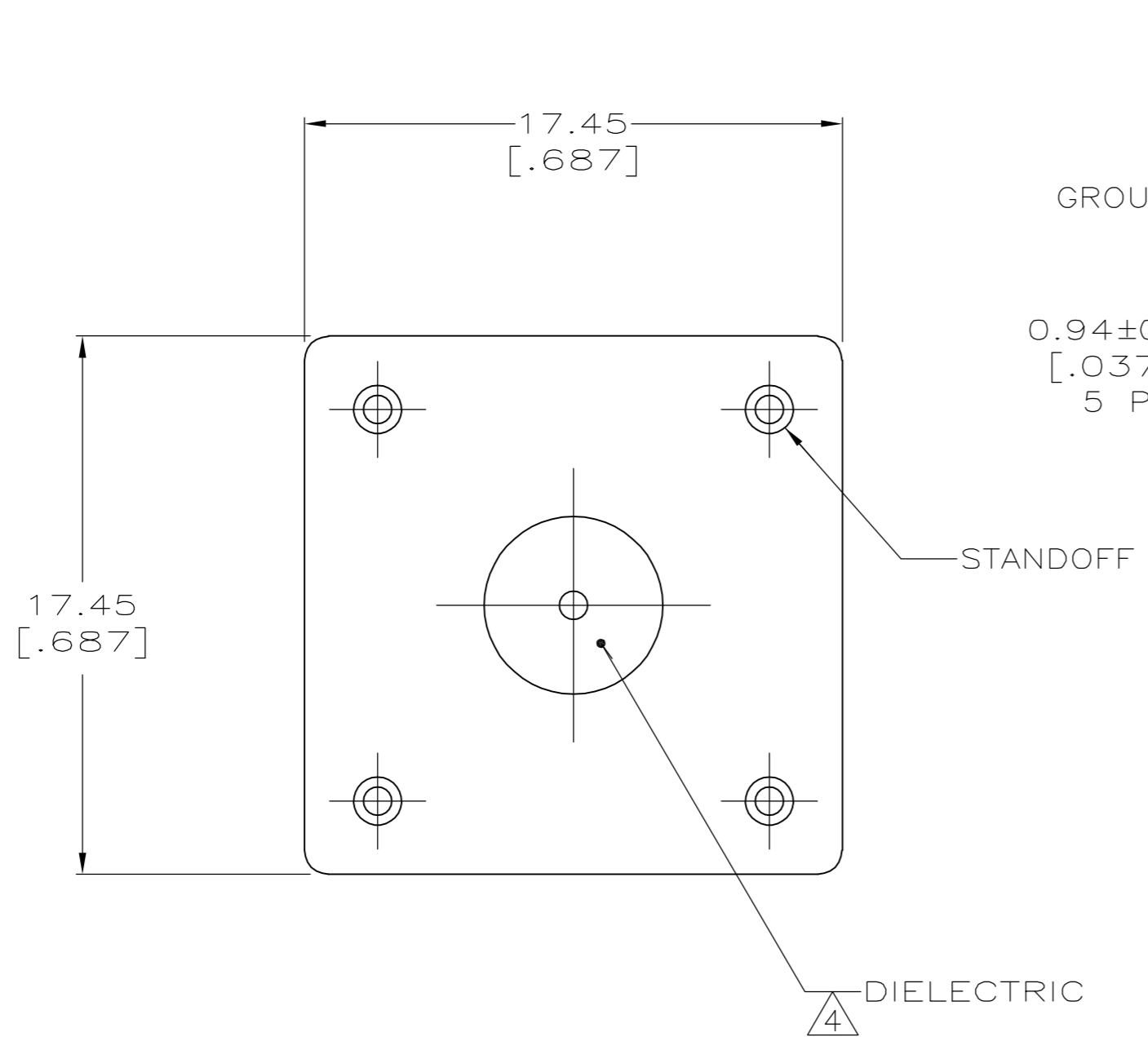


THIS DRAWING IS UNPUBLISHED. RELEASED FOR PUBLICATION
 © COPYRIGHT BY TYCO ELECTRONICS CORPORATION. ALL RIGHTS RESERVED.

LOC		DIST		REVISIONS			
P	LTR	DESCRIPTION		DATE	DWN	APVD	
AJ	16	E	PER EC OS14-0184-04	12JAN05	BM	JL	



- 1 PHOSPHOR BRONZE PER QQ-B-750.
- 2 BRASS PER QQ-B-626.
- 3 ZINC PER QQ-Z-363.
- 4 POLYESTER, PBT, PER MIL-M-24519.
- 5 TIN PLATE PER ASTM-B-545
2.54 μm [.000100] MINIMUM THICK.
- 6 NICKEL PLATE PER QQ-N-290
3.81 μm [.000150] MINIMUM THICK.
- 7 GOLD PLATE PER MIL-G-45204,
0.76 μm [.000030] MINIMUM THICK.
- 8. SEE INSTRUCTION SHEET 408-9889.

414460-1
PART NO

THIS DRAWING IS A CONTROLLED DOCUMENT.		DWN	J. LIPPERT	10-16-92	 Tyco Electronics Corporation Harrisburg, PA 17105-3608	
DIMENSIONS: INCHES		CHK	A. GABANY	10-22-92		
TOLERANCES UNLESS OTHERWISE SPECIFIED:		APVD	A. GABANY	10-22-92		
0 PLC ± - 1 PLC ± - 2 PLC ± 0.20 [.008] 3 PLC ± - 4 PLC ± - ANGLES ± -		PRODUCT SPEC	108-12078			
MATERIAL SEE NOTES 1 - 4		FINISH	SEE NOTES 5 - 7		NAME	JACK, 50 OHM, VERTICAL, PCB, BNC
		WEIGHT	-		SIZE	A2
		CUSTOMER DRAWING			CAGE CODE	00779
		SCALE	5:1		DRAWING NO	C=414460
		SHEET	1 OF 1		RESTRICTED TO	-
		REV	E			