

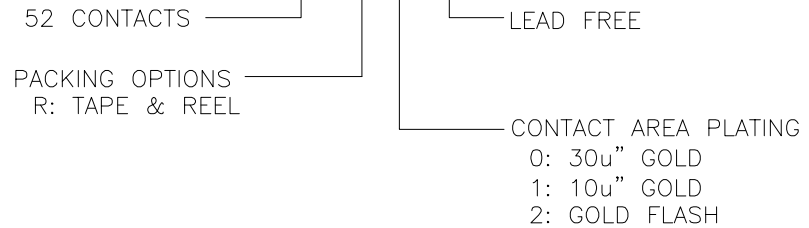
mat'l. code		-		surface		- ✓		tolerance		ASME_Y14.5		projection		product family		PCI_EXPRESS	
lfr		ecn no		dr		date		tolerances unless otherwise specified		MM		title		MINI_PCIE		9.90MM_HEIGHT	
								angles		.0±0.30		scale N/A		dwg no		sheet 1 of 5 size	
								±2'		.00±0.20		Amphenol FCI		10152221		A4	
								dr		WINSTON_ZHU 2020-05-12				type		CUSTOMER Drawing	
								enfr		ZHENHUA_LIU 2020-05-12							
								chr									
								appc		HEAVEN_CEN 2020-05-12							
sheet index		revision sheet		A													

NOTES:

1. MATERIAL:
HOUSING: HIGH TEMPERATURE PLASTIC, UL94 V-0, BLACK COLOR,
CONTACTS: COPPER ALLOY
PEGS: COPPER ALLOY
2. FINISH:
CONTACTS: SELECTED GOLD PLATING ON THE CONTACT AREA,
1u" GOLD PLATING ON THE SOLDER TAILS,
50u" NICKEL UNDERPLATING OVER ALL.
PEGS: 120u" MATTE-TIN OVER 50u" NICKEL.
3. CARD THICKNESS APPLIES ACROSS TABS AND INCLUDES PLATING AND/OR METALLIZATION.
4. EDGE BEVEL MUST BE PRESENT AND FREE OF CUTTING BURRS FROM PCB AND CONTACT MATERIALS.
5. THE HOUSING WILL WITHSTAND EXPOSURE TO 260°C PEAK TEMPERATURE FOR 10 SECONDS IN RE-FLOW APPLICATION.
6. PRODUCT SPECIFICATION: GS-12-1513

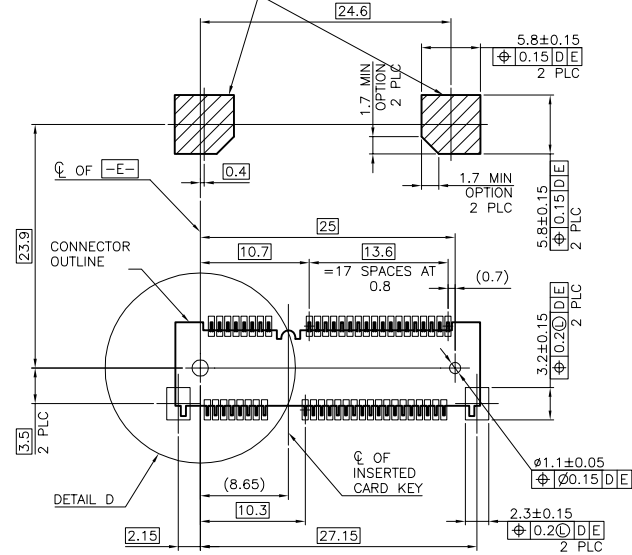
PRODUCT NUMBER CODE

10152221- 052 R X LF

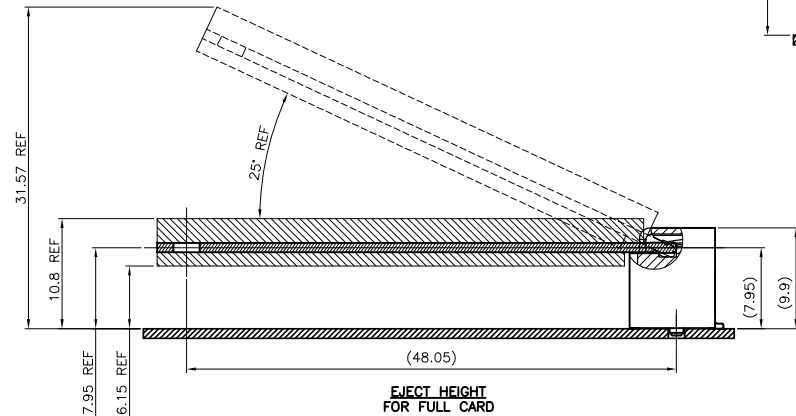


mat'l. code		-		surface	-	tolerance	ASME_Y14.5	projection	product family	PCI_EXPRESS	
lfr	ecn no	dr	date	tolerances unless otherwise specified					title		
				angles	linear	.02±0.30		MM	MINI_PCIE		
				±2'	linear	.00±0.20		scale N/A	9.90MM_HEIGHT		
		dr	WINSTON_ZHU	2020-05-12					dwg no		sheet 2 of 5
		enfr	ZHENHUA_LIU	2020-05-12					10152221		A4
		chr	HEAVEN_CEN	2020-05-12					type		CUSTOMER Drawing
sheet index	revision	A									

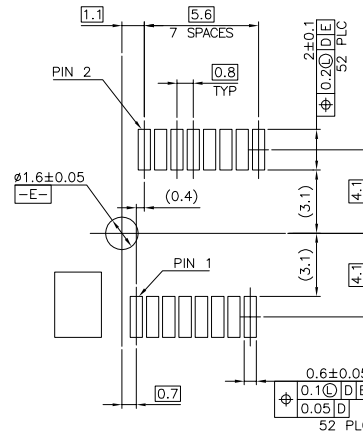
COMPONENT KEEP OUT AREA FOR
CARD HOLD DOWN SOLUTION



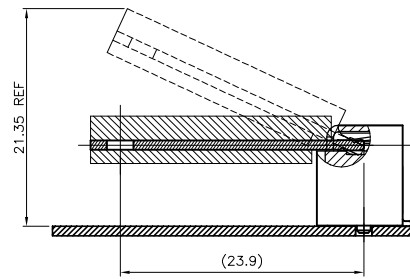
-D- IS THE TOP SURFACE OF PCB.
**RECOMMENDED P.C. BOARD PATTERN LAYOUT
FOR HALF CARD CONNECTOR
(TOP VIEW)**



**EJECT HEIGHT
FOR FULL CARD**

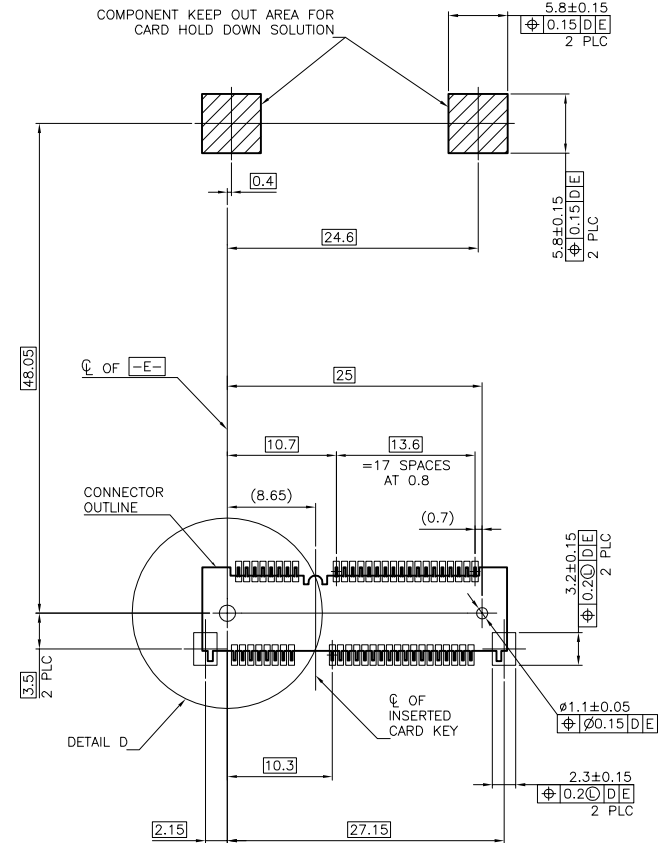


**DETAIL D
SCALE 2:1**



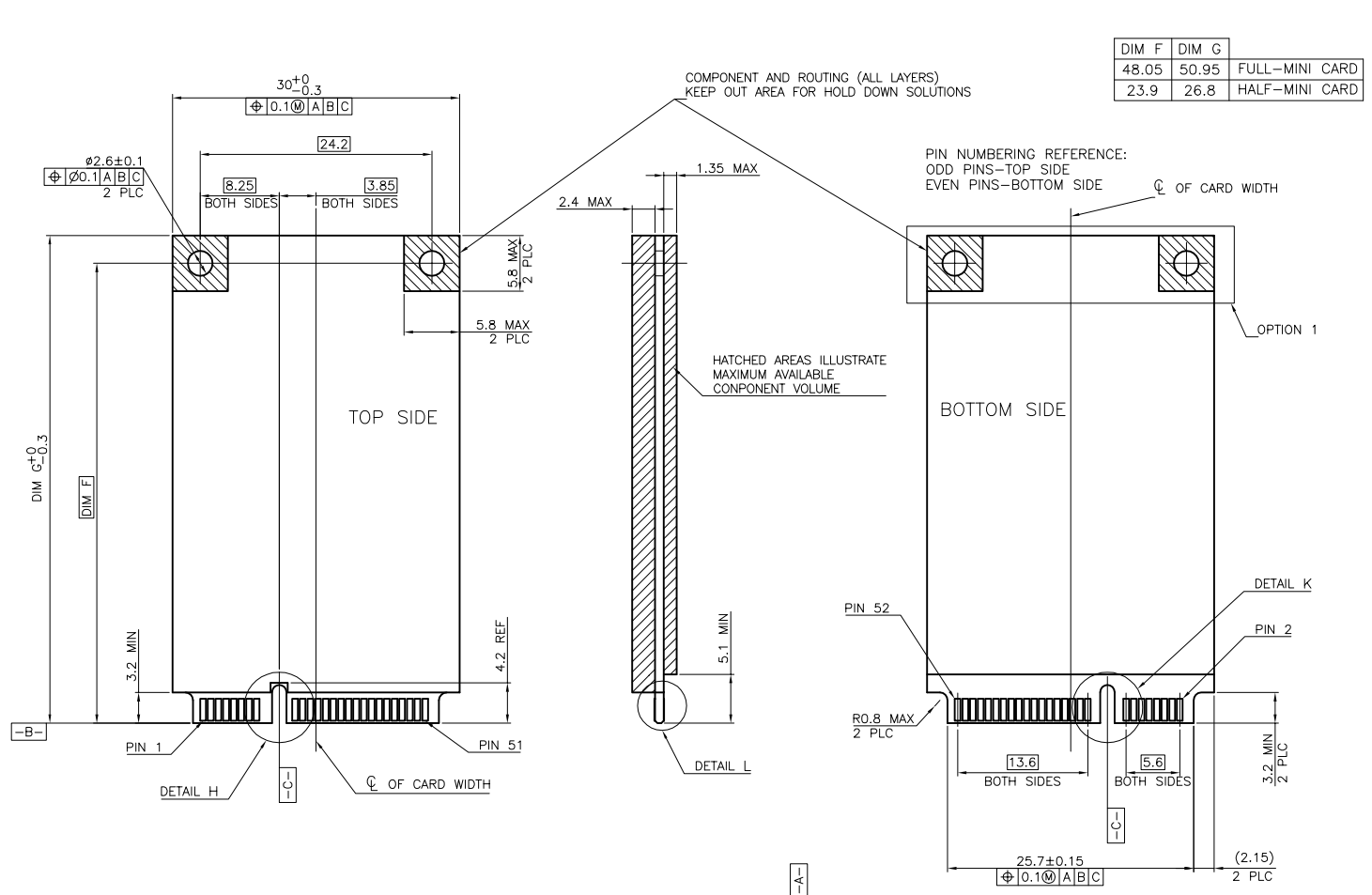
**EJECT HEIGHT
FOR HALF CARD**

COMPONENT KEEP OUT AREA FOR
CARD HOLD DOWN SOLUTION

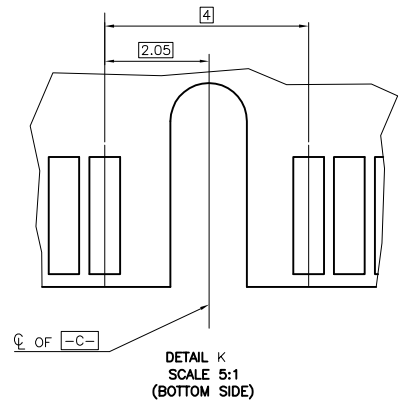
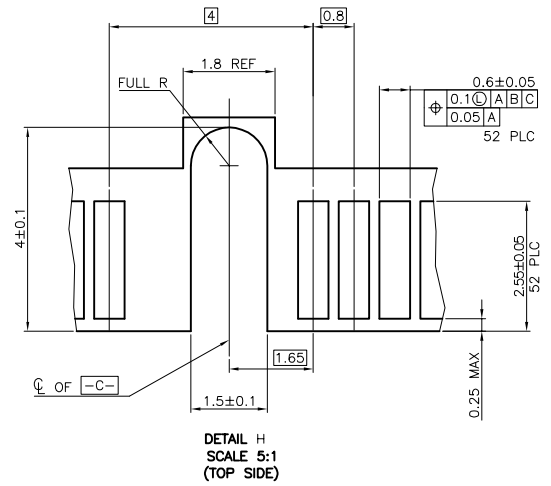


-D- IS THE TOP SURFACE OF PCB.
**RECOMMENDED P.C. BOARD PATTERN LAYOUT
FOR FULL CARD CONNECTOR
(TOP VIEW)**

mat'l. code	-	surface	-	tolerance	ASME_Y14.5	projection	MM	product family	PCI_EXPRESS	
lfr	ecn no	dr	date	tolerances unless otherwise specified		MM	MM	title	MINI_PCIE	
				angles	LineG	MM	MM	9.90MM_HEIGHT	5	
				±2'	LineG	scale N/A	scale N/A	dwg no	sheet 3 of 5	
		dr	WINSTON_ZHU	2020-05-12		Amphenol FCI	type	10152221	A4	
		enr	ZHENHUA_LIU	2020-05-12				CUSTOMER Drawing		
		chr								
		app	HEAVEN_CEN	2020-05-12						
sheet index	revision	A								



DIM F	DIM G	
48.05	50.95	FULL-MINI CARD
23.9	26.8	HALF-MINI CARD



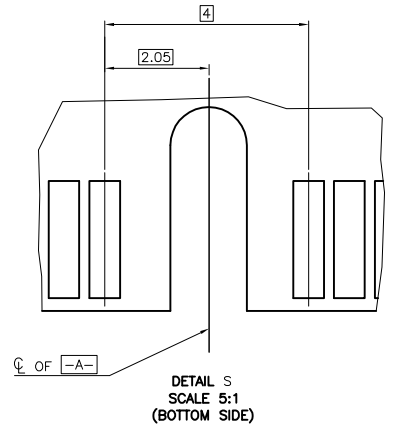
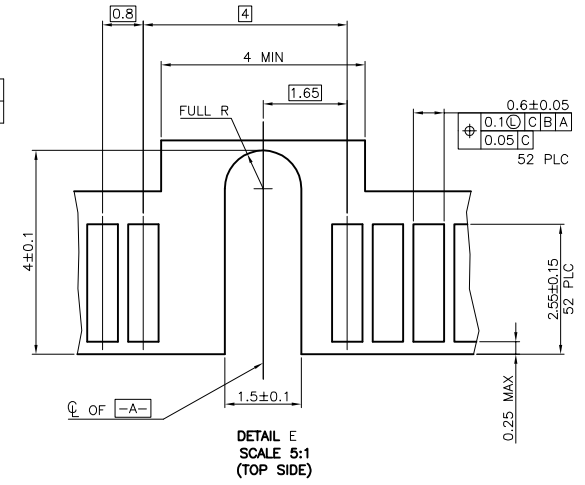
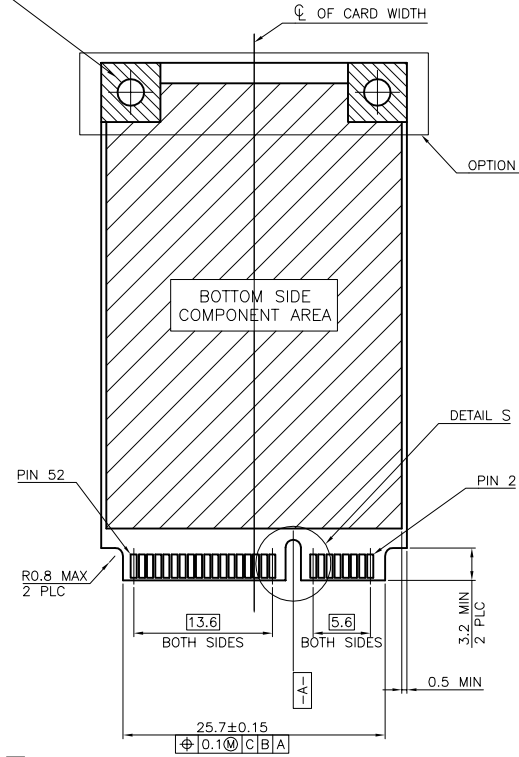
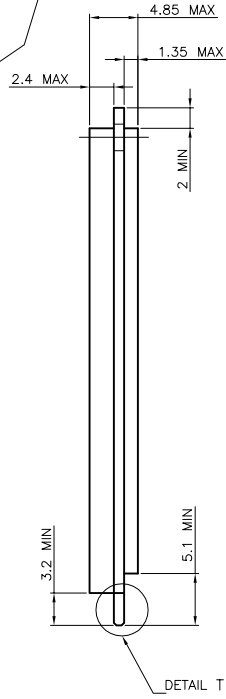
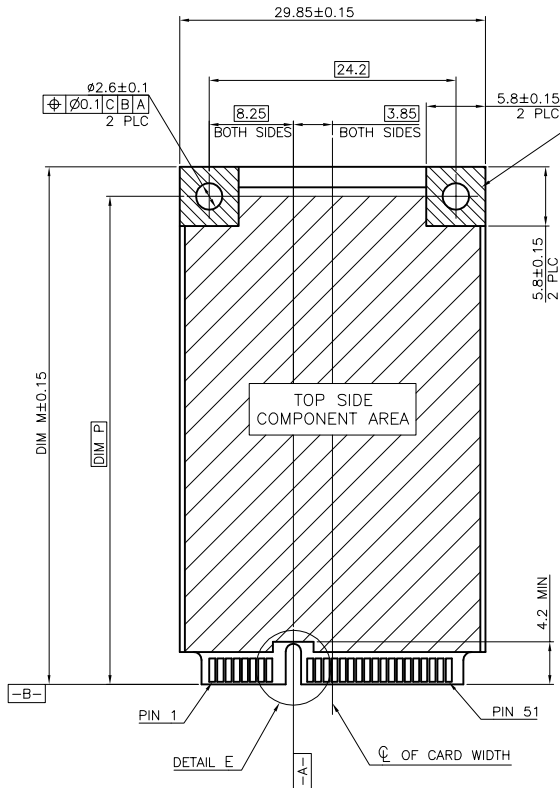
NOTES:
 ⚠ CARD THICKNESS APPLIES ACROSS TABS AND INCLUDES PLATING AND/OR METALLIZATION.
 ⚠ EDGE BEVEL MUST BE PRESENT AND FREE OF CUTTING BURRS FROM PCB AND CONTACT MATERIALS.

FOR PCI EXPRESS MINI CARD

mat'l. code	-	surface	-	tolerance	ASME_Y14.5	projection	MM	product family	PCI_EXPRESS
lfr	ecn no	dr	date	tolerances unless otherwise specified		MM	scale	N/A	title
				angles	Line/pt				MINI_PCIE
				±2'	.02±0.30				9.90MM_HEIGHT
					.00±0.20				dwg no
					.000±0.10				sheet 4 of 5
		dr	WINSTON_ZHU	2020-05-12					size
		enfr	ZHENHUA_LIU	2020-05-12					A4
		chr							
		appd	HEAVEN_CEN	2020-05-12					
sheet	revision	Amphenol FCI							
index	sheet	A	type CUSTOMER Drawing						

COMPONENT AND ROUTING (ALL LAYERS)
KEEP OUT AREA FOR HOLD DOWN SOLUTIONS

DIM P	DIM M	
48.05	50.8	FULL CARD
23.9	26.8	HALF CARD



NOTES:

- ⚠ CARD THICKNESS APPLIES ACROSS TABS AND INCLUDES PLATING AND/OR METALLIZATION.
- ⚠ EDGE BEVEL MUST BE PRESENT AND FREE OF CUTTING BURRS FROM PCB AND CONTACT MATERIALS.
- ⚠ COMPONENT AND ROUTING (TOP/BOTTOM LAYER) KEEP OUT AREA FOR HOLD DOWN SOLUTIONS.

FOR mSATA

mat'l. code		surface		tolerance		projection		product family	
-		-		ASME_Y14.5		MM		PCI_EXPRESS	
lfr		ecn no		dr		date		title	
								MINI_PCIE	
								9.90MM_HEIGHT	
								dwg no	
								sheet 5 of 5	
								size	
								A4	
								type	
								CUSTOMER Drawing	
sheet index		revision		A					

