

1

2

3

4

A

B

C

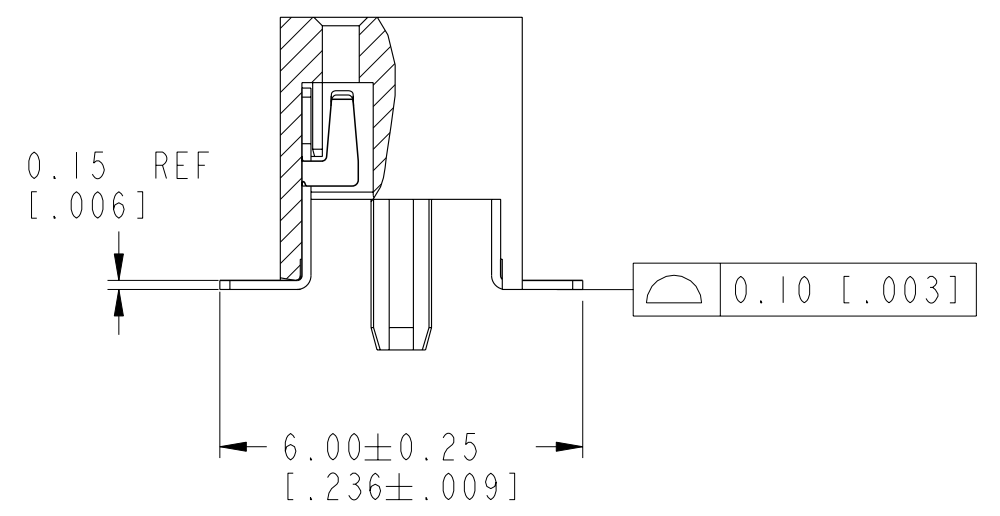
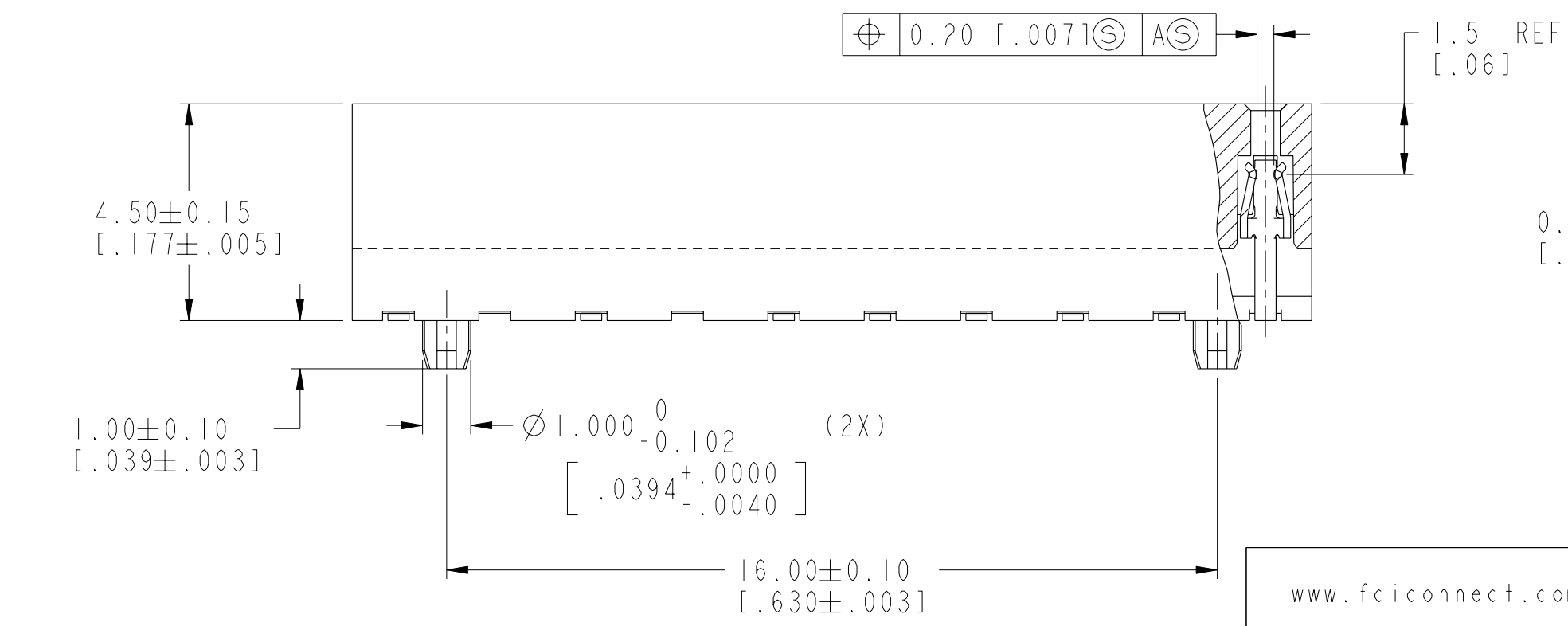
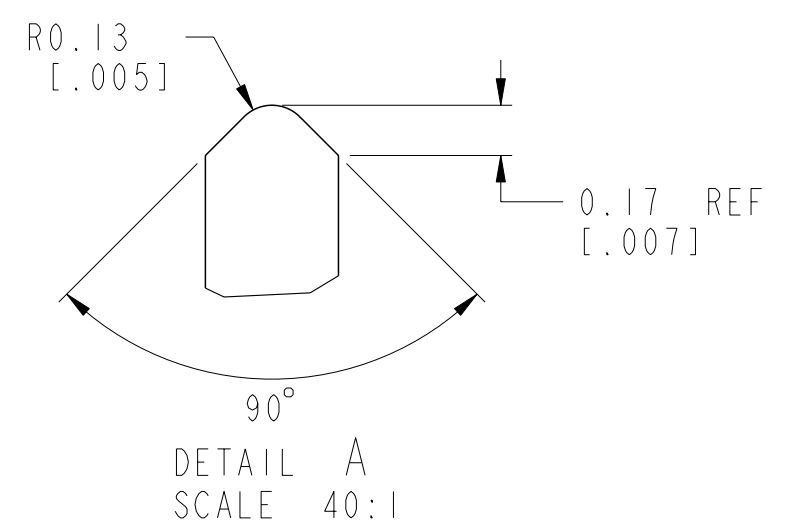
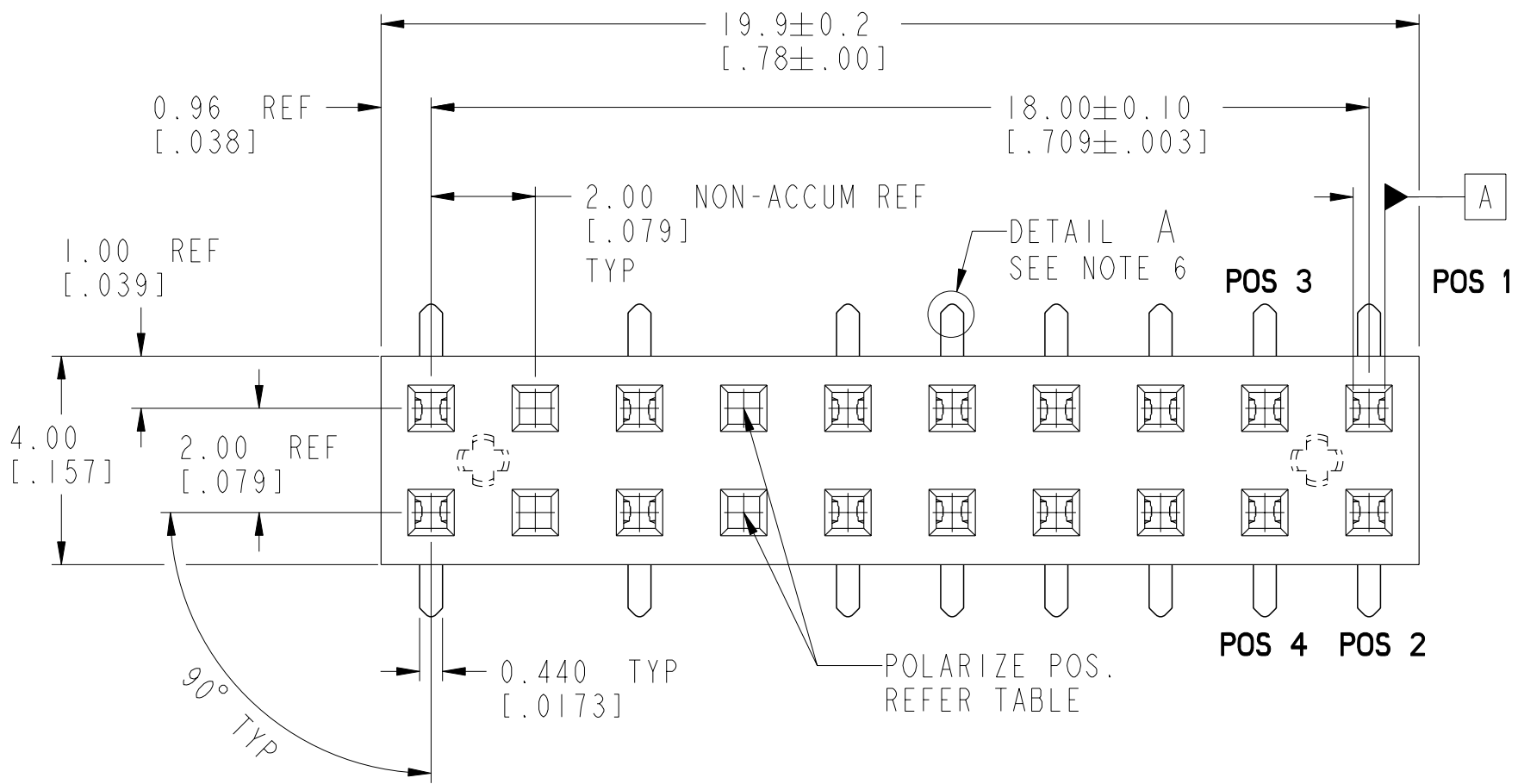
D

A

B

C

D



CONFIDENTIAL

www.fciconnect.com			surface - ✓ ISO 1302	tolerance std ISO 406 ISO 1101	projection MM/INCH
TOLERANCES UNLESS OTHERWISE SPECIFIED					
Dr	JPEH	2001-12-06	ANGULAR	X.X/.XX	±0.3/.01
Eng	JPEH	2001-12-20	LINEAR	X.XX/.XXX	±0.13/.005
Chr	KH LEE	2009-12-22	0° ±2°	X.XXX/.XXXX	±0.051/.0020
Appr	JOEY NG	2009-12-22	Product family	LPVCC	Spec ref -
FCI			title LOW PROFILE VCC 4.5 TOP ENTRY SMT ASSY POL. WITH LOCATING FEATURES		Rev. C
catalog no			dwg no 55515		sheet 1 of 2

rev	ecn no	dr	date
A	S10166	JPEH	2001-12-06
B	S05-0067	KBM	2005-03-03
C	S10-0207	SM	2009-12-22
-	-	-	-
-	-	-	-
-	-	-	-

Copyright FCI.

PRODUCT NO SEE NOTE 4	POSITIONS	POL. POS.	TAPE - REEL AVAILABLE
55515-X01	2 X 10	13,14,17,18	YES

PLATING OPTIONS OVER CONTACT AREA
0 = GOLD FLASH
1 = 0.76µm/30µ" Au
3 = 0.38µm/15µ" Au

NOTES:

- HOUSING : HIGH TEMP PLASTIC
- TERMINAL MATERIAL : PHOSPHOR BRONZE.
- TERMINAL RETENTION 0.5Kg/1.1 Lbs.
- PRODUCT DESCRIPTION CODE:

XXXXX-X XXLF

LEAD FREE (SEE NOTE 7b & 10)
TOTAL POSITIONS
CONTACT AREA PLATING
BASE NUMBER

- PACKAGING:
 - (a) XXXXX-XXX ---STD PACKAGING IN TUBE.
 - (b) XXXXX-XXXTR ---TAPE AND REEL WITH PICK-UP CAP.

- 'V' CUT OPTIONAL - MANUFACTURING PROCESS OPTION.

- SOLDERTAIL PLATING:

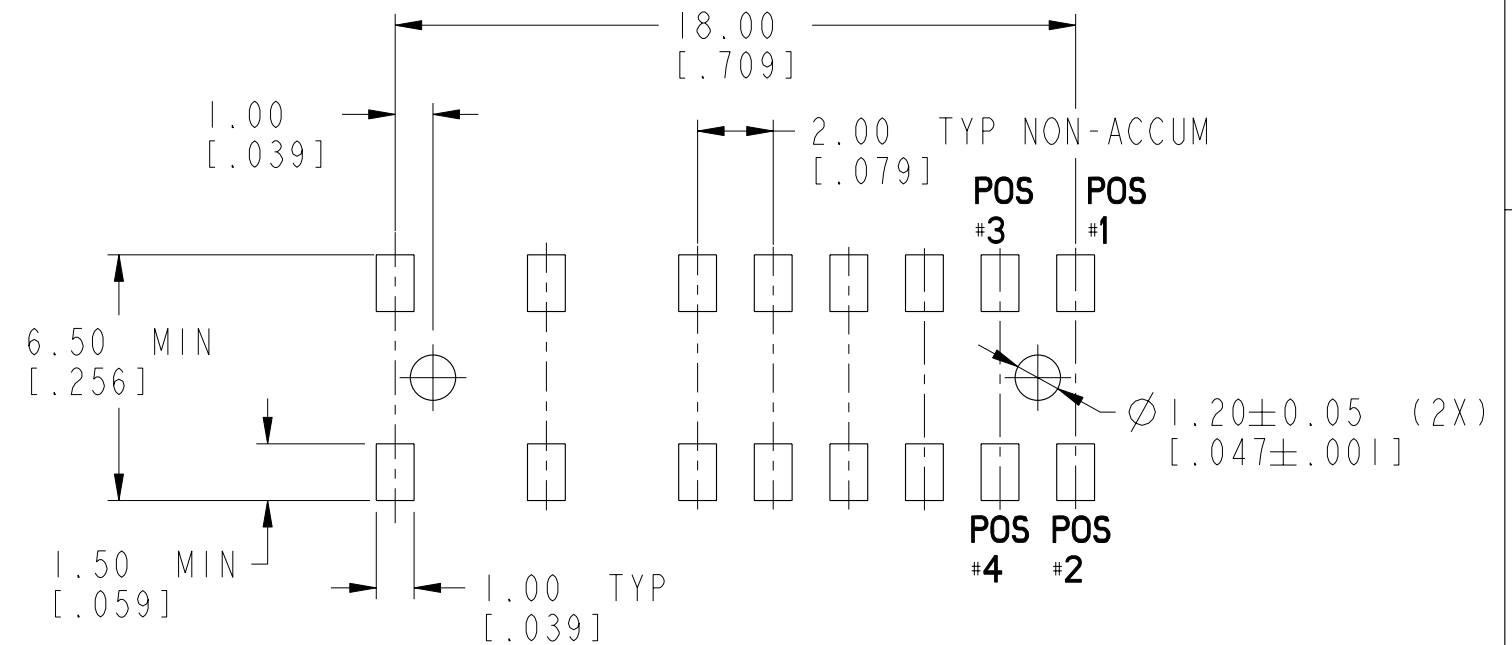
- SOLDERTAIL OF P/N : 55515-XXX IS TIN/LEAD PLATED.
- SOLDERTAIL OF P/N : 55515-XXXLF IS 100% MATTE TIN PLATED

- FOR POLARIZE POSITION, REFER TO TABLE (POL. POS.)

- THE HOUSING WILL WITHSTAND EXPOSURE TO 255°C PEAK TEMPERATURE FOR 10 SECONDS IN A CONVECTION, INFRA-RED OR VAPOR PHASE REFLOW OVEN.

- THIS PRODUCT MEETS EUROPEAN UNION DIRECTIVES AND OTHER COUNTRY REGULATIONS AS DESCRIBED IN GS-22-008.

△ 11. A △ SYMBOL WILL BE NEXT TO ANY DIMENSION, VIEW OR NOTE WHICH HAS BEEN MODIFIED WITH THE CURRENT DRAWING REVISION.



RECOMMENDED PAD LAYOUT

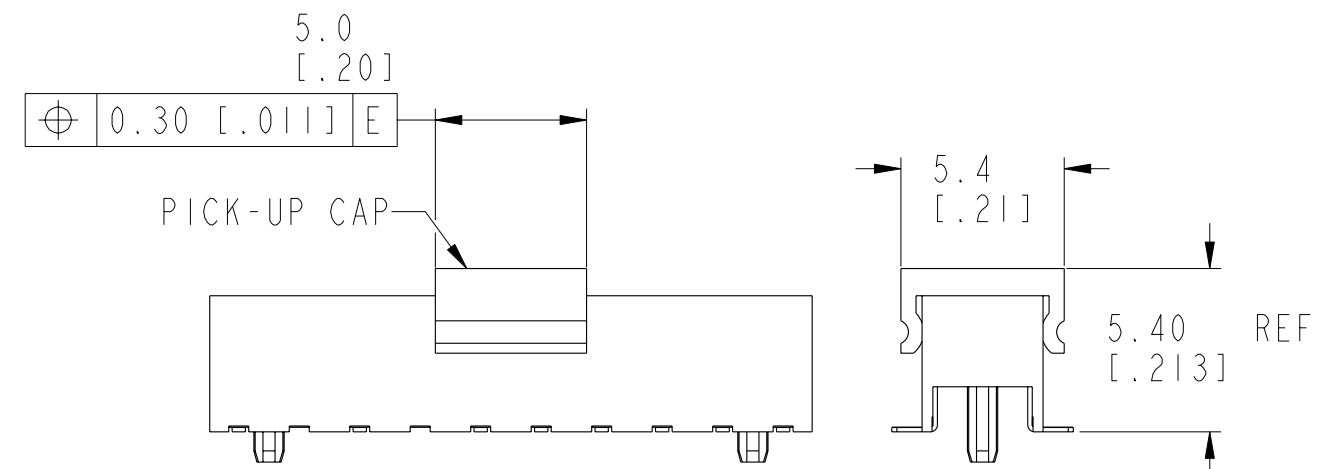


FIG 1
NOTE 5(b)

CONFIDENTIAL

www.fciconnect.com		surface	tolerance std	projection	MM/INCH
		ISO 1302	ISO 406 ISO 1101	⊕	↔
TOLERANCES UNLESS OTHERWISE SPECIFIED					
Dr	JPEH	2001-12-06	ANGULAR	size	Scale
Eng	JPEH	2001-12-20	LINEAR	A3	8:1
Chr	KH LEE	2009-12-22	0° ±2°	ECN	S10-0207
Appr	JOEY NG	2009-12-22	Product family	Spec ref	-
FCI		LOW PROFILE VCC 4.5 TOP ENTRY SMT ASSY POL. WITH LOCATING FEATURES		dwg no	55515
catalog no		-		CUSTOMER	sheet 2 of 2