

6

5

4

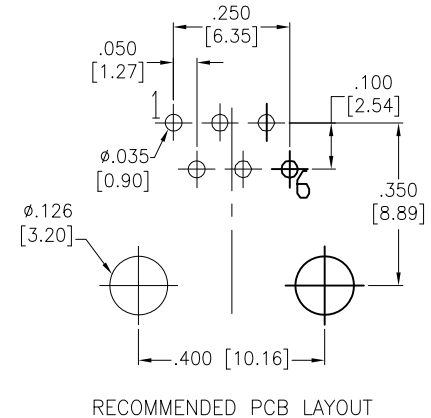
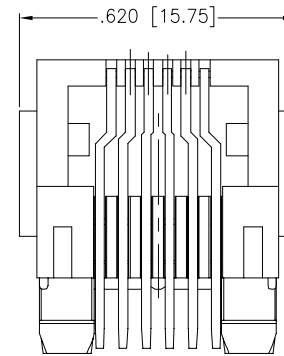
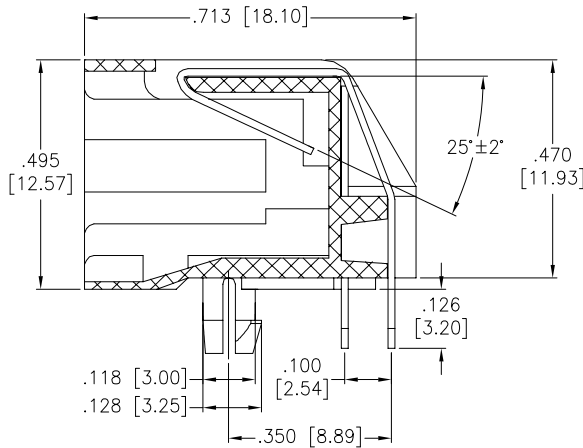
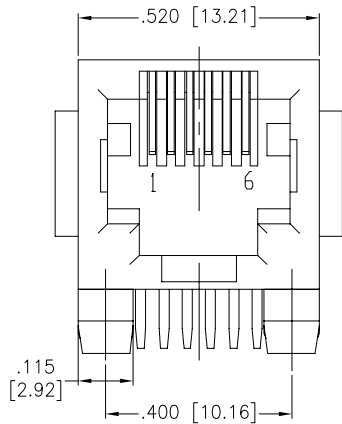
3

2

1

APPROVED: _____
 DATE: _____ TITLE: _____

Rev	AWO #	Description	Date	Appr
-		RELEASED	10/4/04	
A		REDRAWN	02/01/12	
B		UPDATE DRAWING	2/7/20	LH/NL



SPECIFICATIONS:

Material:
 Insulator: PBT, rated UL 94V-0
 Insulator color: Black
 Contacts: Phosphor Bronze
 Plating:
 Round contact
 Gold over Nickel underplate overall
 Flat contact
 Gold over Nickel underplate on contact area
 Matte Tin over Nickel underplate on solder tails
 Electrical:
 Voltage rating: 150 VAC RMS
 Current rating: 1.5 Amp
 Contact Resistance: 20 mohms max
 Insulation resistance: 1,000 Mohms min @500 VDC
 Dielectric withstanding voltage: 1,000 VAC or 1500 VDC RMS @0.5mA For 1 Minute
 Temperature Rating:
 Operating temperature: -40°C to +85°C
 Environmental:
 Lead free, RoHS compliant.



UNLESS OTHERWISE SPECIFIED ALL DIMENSIONS ARE INCHES [MM] TOLERANCES: EXCEPT AS NOTED INCHES HOLES .X ± .10 Ø.X ± .10 .XX ± .020 Ø.XX ± .015 .XXX ± .015 Ø.XXX ± .010		ADAM TECH INTERCONNECTS		909 Rahway Avenue, Union, NJ 07083 Phone: 908-687-5000 Fax: 908-687-5710	
APPROVALS DRAWN SS CHECKED APPROVED		DATE 10/4/04		TITLE MODULAR TELEPHONE JACK, 6P6C RIGHT ANGLE, PCB	
SIZE X		PART NO. MTJ-660X1		REV. B	
REF: S00005C		SCALE: NTS		SHEET 1 OF 1	

6

5

4

3

2

1