

## Flush-type connector - SACC-CI-M12MSB-5CON-L90 SH SCO - 1436699

Please be informed that the data shown in this PDF Document is generated from our Online Catalog. Please find the complete data in the user's documentation. Our General Terms of Use for Downloads are valid (<http://download.phoenixcontact.com>)



Sensor/actuator flush-type connector, plug, 5-pos., B-coded, shielded, with angled solder connection, only contact insert



### Key commercial data

Packing unit	1 1
Minimum order quantity	20 1
Weight per Piece (excluding packing)	5.0 GRM
Custom tariff number	85366990
Country of origin	Germany

### Technical data

#### Ambient conditions

Ambient temperature (operation)	-25 °C ... 85 °C (Plug / socket)
Degree of protection	IP67

#### General

Rated current at 40°C	4 A
Rated voltage	60 V
Number of positions	5
Contact resistance	≤ 3 mΩ
Insulation resistance	≥ 100 MΩ
Coding	B - inverse
Standards/regulations	M12 connector IEC 61076-2-101
Status display	No
Surge voltage category	II
Pollution degree	3
Connection method	Solder pins

# Flush-type connector - SACC-CI-M12MSB-5CON-L90 SH SCO - 1436699

## Technical data

### General

Mounting type	PCB mounting
---------------	--------------

### Material

Inflammability class according to UL 94	V0
Contact material	CuZn
Contact surface material	Au
Contact carrier material	PA 66
Sealing material	FKM / EPDM

## Classifications

### eCl@ss

eCl@ss 4.0	27060306
eCl@ss 4.1	27060306
eCl@ss 5.0	27061801
eCl@ss 5.1	27260701
eCl@ss 6.0	27279220
eCl@ss 7.0	27440103
eCl@ss 8.0	27440103

### ETIM

ETIM 3.0	EC002061
ETIM 4.0	EC002061
ETIM 5.0	EC002061

### UNSPSC

UNSPSC 6.01	31251501
UNSPSC 7.0901	31251501
UNSPSC 11	31251501
UNSPSC 12.01	31251501
UNSPSC 13.2	31251501

## Approvals

### Approvals

---

### Approvals

UL Recognized / GOST / GOST

# Flush-type connector - SACC-CI-M12MSB-5CON-L90 SH SCO - 1436699

## Approvals

Ex Approvals

Approvals submitted

## Approval details

UL Recognized	
mm <sup>2</sup> /AWG/kcmil	26-20
Nominal current I <sub>N</sub>	4 A
Nominal voltage U <sub>N</sub>	60 V

GOST	
------	--

GOST	
------	--

## Accessories

### Accessories

Panel mounting base

Housing screw connection - SACC-M12-SCO PLUG - 1551493



M12 SPEEDCON housing screw connection for M12 male inserts, with O-ring, for all SPEEDCON-capable THR and wave soldering contact carriers

# Flush-type connector - SACC-CI-M12MSB-5CON-L90 SH SCO - 1436699

## Accessories

Housing screw connection - SACC-M12-SCO PLUG L90 - 1436709



M12-SPEEDCON housing screw connection for M12 male inserts, with flat gasket, for all Speedcon-compatible THR and wave soldering contact carriers

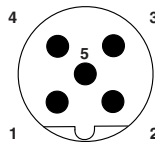
Housing screw connection - SACC-M12 PLUG PRESS - 1437892



M12 pin, housing screw connection, press-in version, for all Speedcon-compatible THR and wave soldering contact carriers

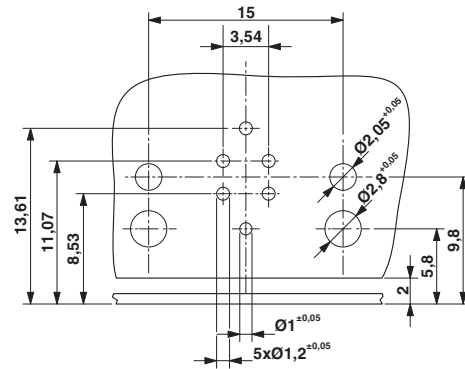
## Drawings

Schematic diagram



Pin assignment M12 male connector, 5-pos., B-coded, male side

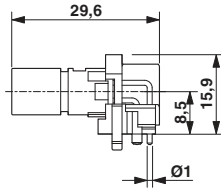
Drilling diagram



Drilling diagram only valid in connection with the SACC-M12-SCO PLUG L90 housing (order no. 1436709)

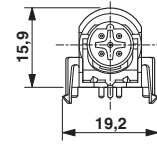
# Flush-type connector - SACC-CI-M12MSB-5CON-L90 SH SCO - 1436699

Dimensioned drawing



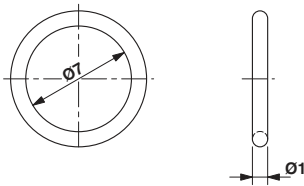
M12 flush-type connector, plug, contact carrier, side view

Dimensioned drawing



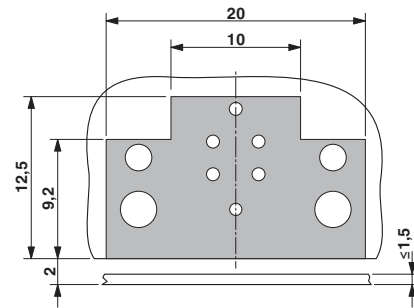
M12 flush-type connector, plug, contact carrier, front view

Dimensioned drawing



Optionally with O-ring (green) for tight seal when plugged in.  
- the axial mating force of 80 N per connector may not be exceeded when using with assembled O-ring!  
- Avoid radial forces!

Dimensioned drawing



Locked area on the PCB