

A01NYUB Waterproof Ultrasonic Sensor

SKU:SEN0313



Introduction

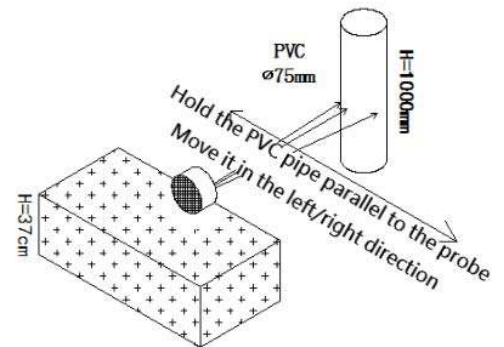
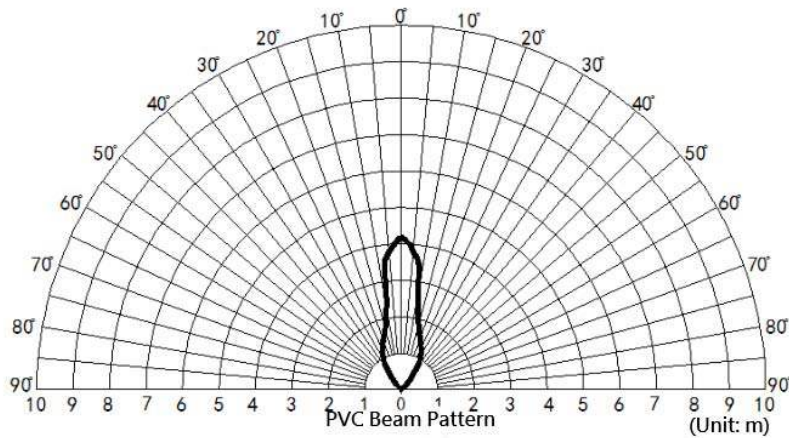
Ultrasonic distance sensor determines the distance to a target by measuring time lapses between the sending and receiving of the ultrasonic pulse. A01NYUB is an waterproof ultrasonic sensor module with 7.5m effective ranging distance. It is compatible with 3.3V~5V device like Arduino, Raspberry Pi, etc. The average current of A01NYUB is only 15mA so it can be powered by most controllers' IO port.

The ultrasonic sensor adopts closed probe of transmitter & receiver, waterproof and dustproof, which could be well suitable for harsh and moist measuring environment. It reserves 2.54-4P interface and adopts UART communication. ME007YS ultrasonic sensor has experienced long-term test and constant optimization so it can offer a pretty fast response time, high stability and sensitivity, and low power consumption.

Use the sensor with Arduino controller to build up your projects, such as backing car annunciator, obstacle avoidance robot, object approaching detection etc.

Specification

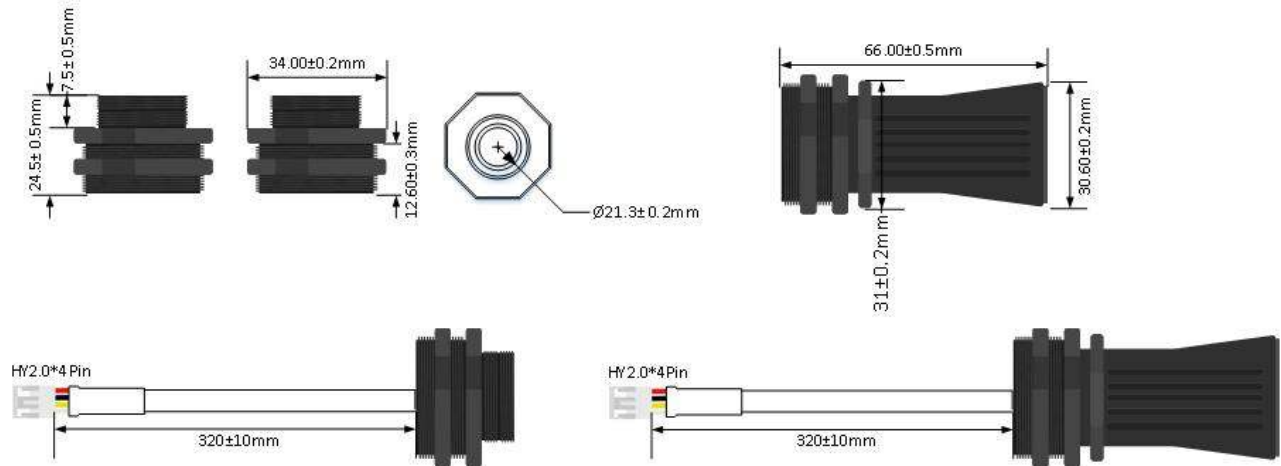
- Operating Voltage: 3.3V-5v
- Average Current: $\leq 15\text{mA}$
- Blind Zone Distance: 0-28cm
- Ranging Distance for Flat Object: 28-750cm
- Output: UART
- Response Time: 100ms
- Probe Center Frequency: $40\text{K} \pm 1.0\text{K}$
- Operating Temperature: $-15 \sim 60^\circ\text{C}$
- Storage Temperature: $-25 \sim 80^\circ\text{C}$
- Protection Rate: IP67



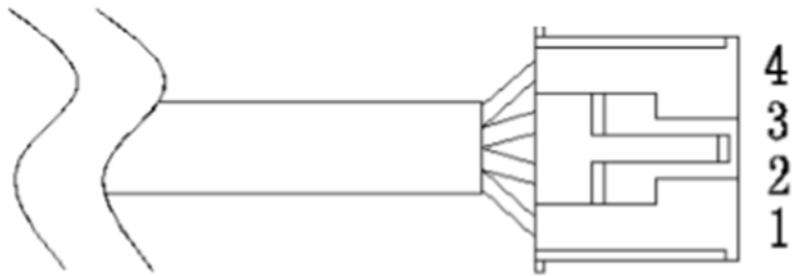
Features

- High Protection Rate
- Strong Resistance
- Stable Output
- Low Power
- Fast Response
- High Antistatic Performance
- Wide Operating Temperature
- High Accuracy
- Small in Size

Installation Dimension



Pinout



Label	Name	Description
1	VCC	Power Input
2	GND	Ground
3	RX	Processed Value/Real-time Value Output Selection
4	TX	UART Output

UART Output

Output Communication

When "RX" floats or input High level, the module outputs processed value, the data is more steady, response time: 150-300ms; when input Low level, the module outputs real-time value, response time: 150ms.

UART	Data bit	Stop bit	Parity	Band rate
TTL level	8	1	none	9600bps

UART Output Form

Frame Data	Description	Byte
Header	0xFF	1 byte
DATA_H	Distance Data High 8-bits	1 byte
DATA_L	Distance Data Low 8-bits	1 byte
SUM	Checksum	1 byte

UART Output

Header	DATA_H	DATA_L	SUM
0xFF	0x07	0xA1	0xA7

Note: checksum only reserves the low 8-bits of the accumulated value.

```
SUM=(Header+Data_H+Data_L)&0x00FF  
=(0xFF + 0X07 + 0XA1)&0x00FF  
=0XA7;
```

Copy

Distance= Data_H*256+ Data_L=0X07A1;

Equal to 1953 when converted into decimal;

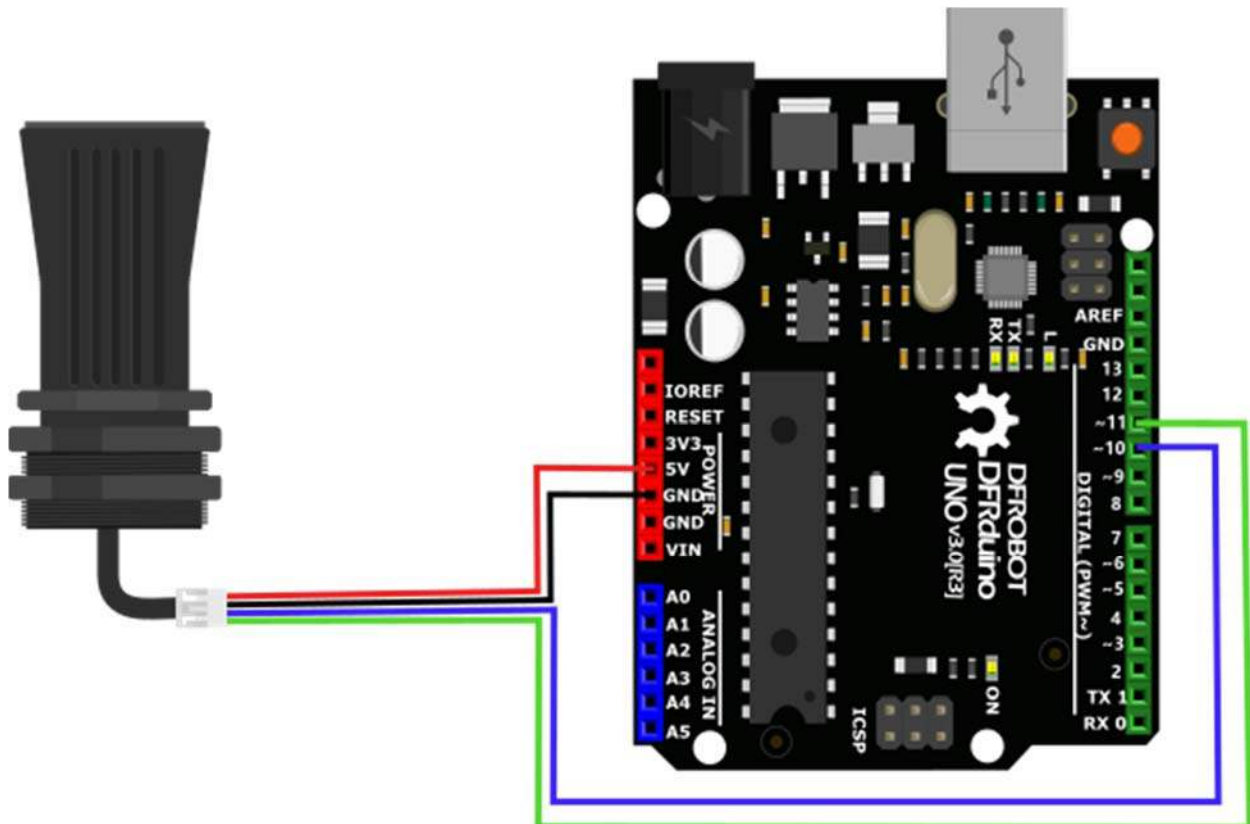
Represent the current measured distance is 1953mm.

Arduino Platform

Preparation

- Arduino UNO
- UNO IO Sensor Expansion Board
- A01NYUB Ultrasonic Sensor
- 4P Connector

Connection



Sample Code

```
/*
 *@File : DFRobot_Distance_A01.ino
 *@Brief : This example use A01NYUB ultrasonic sensor to measure distance
 *          With initialization completed, We can get distance value
 *@Copyright [DFRobot](http://www.dfrobot.com),2016
 *          GUN Lesser General Pulic License
 *@version V1.0
 *@data 2019-8-28
 */

#include <SoftwareSerial.h>

SoftwareSerial mySerial(11,10); // RX, TX
unsigned char data[4]={};
float distance;

void setup()
{
  Serial.begin(57600);
  mySerial.begin(9600);
}

void loop()
{
  do{
    for(int i=0;i<4;i++)
    {
      data[i]=mySerial.read();
    }
  }while(mySerial.read()!==0xff);

  mySerial.flush();

  if(data[0]==0xff)
  {
    int sum;
    sum=(data[0]+data[1]+data[2])&0x00FF;
    if(sum==data[3])
    {
      distance=(data[1]<<8)+data[2];
      if(distance>280)
      {
        Serial.print("distance=");
        Serial.print(distance/10);
        Serial.println("cm");
      }else
      {
        Serial.println("Below the lower limit");
      }
    }else Serial.println("ERROR");
  }
}
```

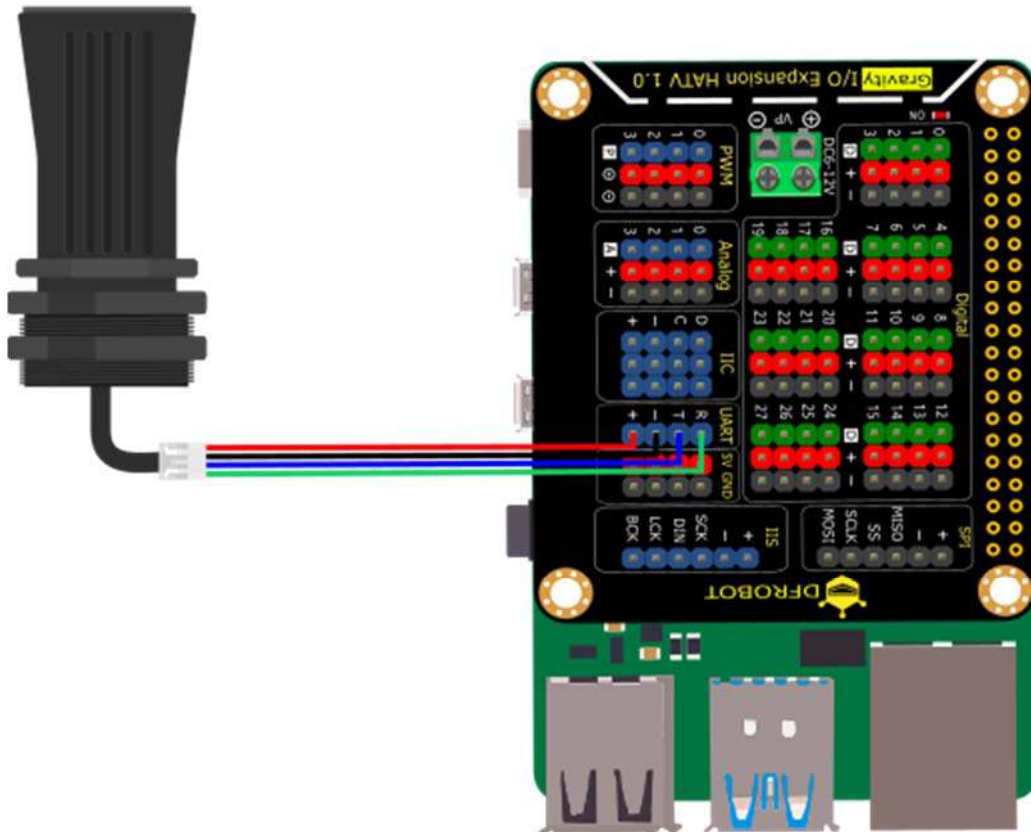
```
    delay(150);  
}
```

Raspberry Pi Platform

Preparation

- Raspberry Pi 4B
- Raspberry Pi IO Expansion Board
- A01NYUB Ultrasonic Sensor
- 4P Connector

Raspberry Pi Connection



Sample Code

Download the [Ultrasonic Sensor Library](#)

https://github.com/DFRobot/DFRobot_RaspberryPi_A02YYUW

```

# -*- coding:utf-8 -*-

'''
# demo_get_distance.py
#
# Connect board with raspberryPi.
# Run this demo.
#
# Connect A01 to UART
# get the distance value
#
# Copyright [DFRobot](http://www.dfrobot.com), 2016
# Copyright GNU Lesser General Public License
#
# version V1.0
# date 2019-8-31
'''

import time

from DFRobot_RaspberryPi_A02YYUW import DFRobot_A02_Distance as Board

board = Board()

def print_distance(dis):
    if board.last_operate_status == board.STA_OK:
        print("Distance %d mm" %dis)
    elif board.last_operate_status == board.STA_ERR_CHECKSUM:
        print("ERROR")
    elif board.last_operate_status == board.STA_ERR_SERIAL:
        print("Serial open failed!")
    elif board.last_operate_status == board.STA_ERR_CHECK_OUT_LIMIT:
        print("Above the upper limit: %d" %dis)
    elif board.last_operate_status == board.STA_ERR_CHECK_LOW_LIMIT:
        print("Below the lower limit: %d" %dis)
    elif board.last_operate_status == board.STA_ERR_DATA:
        print("No data!")

if __name__ == "__main__":
    dis_min = 0 #Minimum ranging threshold: 0mm
    dis_max = 7500 #Highest ranging threshold: 7500mm
    board.set_dis_range(dis_min, dis_max)
    while True:
        distance = board.getDistance()
        print_distance(distance)
        time.sleep(0.3) #Delay time < 0.6s

```

FAQ

For any questions, advice or cool ideas to share, please visit the [DFRobot Forum](https://www.dfrobot.com/forum)

<https://www.dfrobot.com/product-1934.html?search=SEN0313&description=true12-5-19>