

CTMMP5024F Series

From 10 μ H to 33 μ H

SPECIFICATIONS

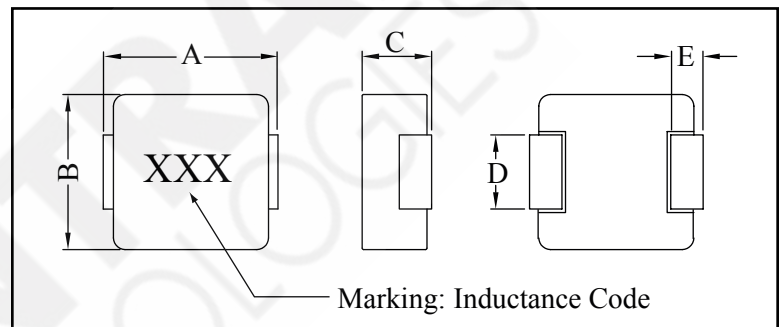
*I_{rms}: DC current (A) that will cause an approximate ΔT of 40°C.
 **I_{sat}: DC current (A) that will cause L0 to drop approximately 30%.

Part Number	Inductance (μ H)	L Test Freq. (KHz)	DCR Max. (m Ω)	*I _{rms} Typ. (A)	**I _{sat} Typ. (A)
CTMMP5024F-100M	10	100	20.7	10	12.5
CTMMP5024F-150M	15	100	29.0	6.0	9.0
CTMMP5024F-220M	22	100	39.5	5.0	7.5
CTMMP5024F-330M	33	100	75	4.0	6.0



PHYSICAL DIMENSIONS

Size	A	B	C	D	E
	Max.		Max.		
mm	13.8	12.6 \pm 0.2	6.0	3.7	2.7 \pm 0.7
inches	0.54	0.50 \pm 0.008	0.24	0.15	0.11 \pm 0.03



CHARACTERISTICS

- Description:** SMD (shielded) power inductor.
- Applications:** PDA, Notebook, Desktop, Server applications, Low profile, high current power supplies, battery powered devices, DC/DC converter for Field Programmable Gate Array (FPGA).
- Operating Temperature:** -55°C to 125°C (including self - temperature rise)
- Inductance Tolerance:** \pm 20%
- Testing:** Inductance is tested on an HP4285A at 100KHz, 0.5V
- Packaging:** Tape & Reel.
- Marking:** Parts are marked with inductance code.
- Miscellaneous:** RoHS Compliant.
- Additional Information:** Additional electrical & physical information available upon request.
- Samples available. See website for ordering information.**

PAD LAYOUT

