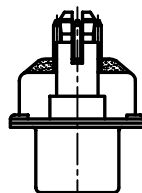
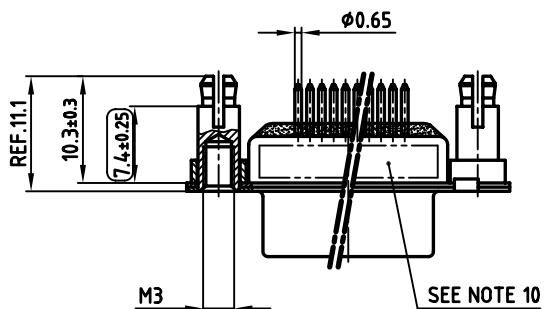
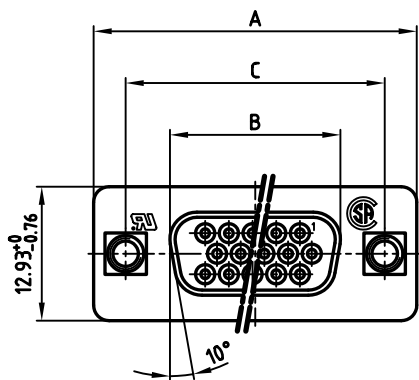
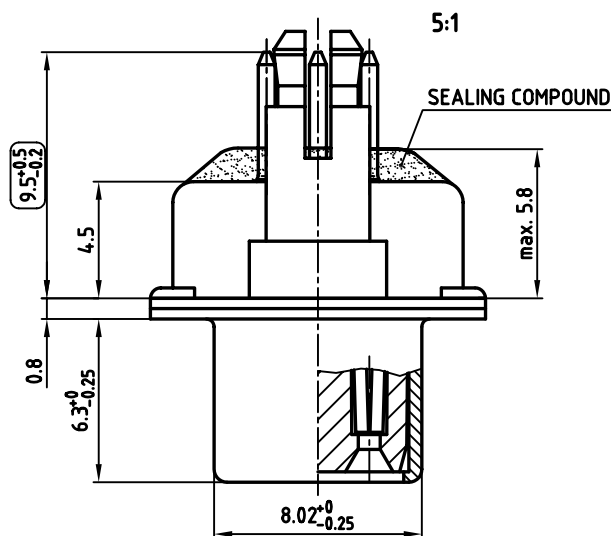


used for: D-SUB HD FILTER

POS.	A ^{-0.76}	B ^{-0.25}	C	Part NO.
15	31.19	16.46	25.00 ^{+0.12} / _{-0.13}	242A20730X
26	39.52	24.79	33.30 ^{+0.15} / _{-0.1}	242A20740X
44	53.42	38.50	47.04 ± 0.13	242A20750X
62	69.70	54.96	63.50 ± 0.13	242A20760X



NOTES:

- METALSHELLS: STEEL; min. 320µ" TIN
- INSULATORS: HIGH TEMPERATURE PLASTIC UL 94 V-0, BLACK
- CONTACTS: COPPER ALLOY
PLATING: 8µ" HARD GOLD OVER min. 50µ" NICKEL
- THREADED SPACER CLIP: COPPER ALLOY; min. 200µ" TIN over 80µ" NICKEL
PCB-HOLE: $\phi 3.1 \pm 0.1$; PCB THICKNESS 1.6mm
- COLLAR: COPPER ALLOY; min. 200µ" TIN over 80µ" NICKEL
- P.C.B. HOLE DRILLINGS ON SHEET 2
- CAPACITANCE: 830pF $\pm 20\%$
- DIELECTRIC WITHSTANDING VOLTAGE: 300 VDC
- MAXIMUM TORQUE VALUE FOR THREAD: 6" LBS
- CONNECTOR IS PART MARKED: PART-NO. CONEC ABC
- = CHECK DIMENSION

Directive 2002/95/EC
RoHS-Compliant

APPROVAL * FREIGABE * DEBLOCAGE * AUTORIZACION * APPROVAL	
CUSTOMER APPROVAL DATE:	
NAME:	TITLE:
COMPANY NAME:	
APPROVAL * FREIGABE * DEBLOCAGE * AUTORIZACION * APPROVAL	

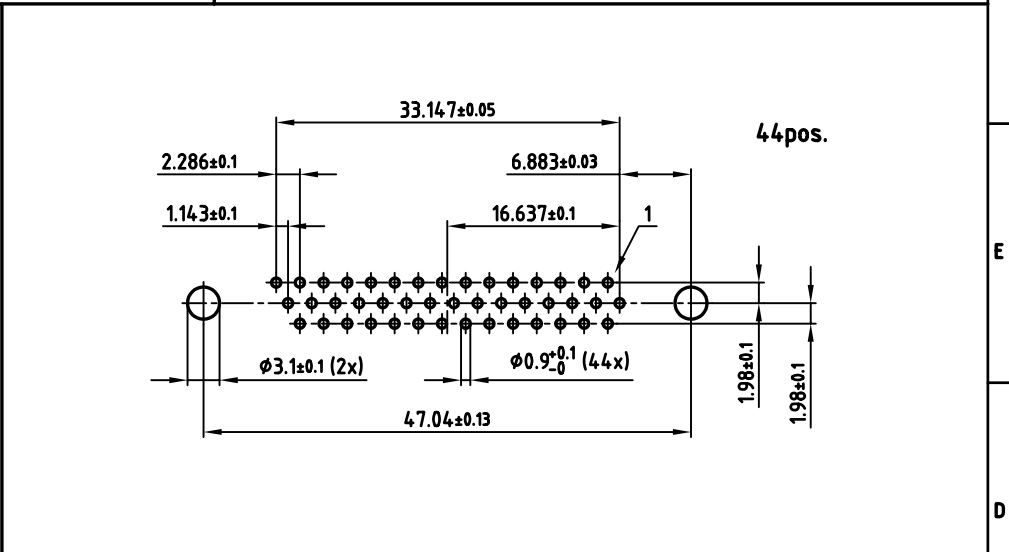
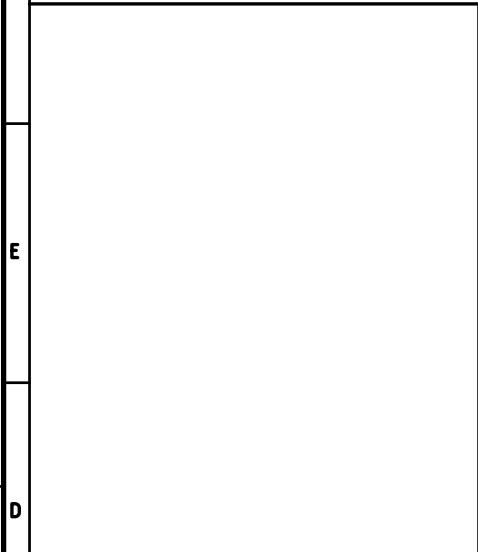
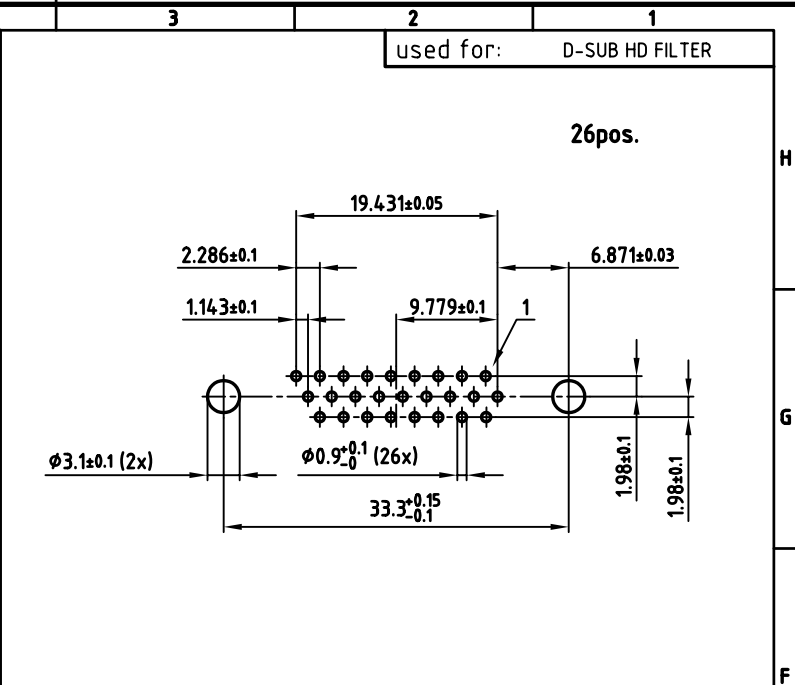
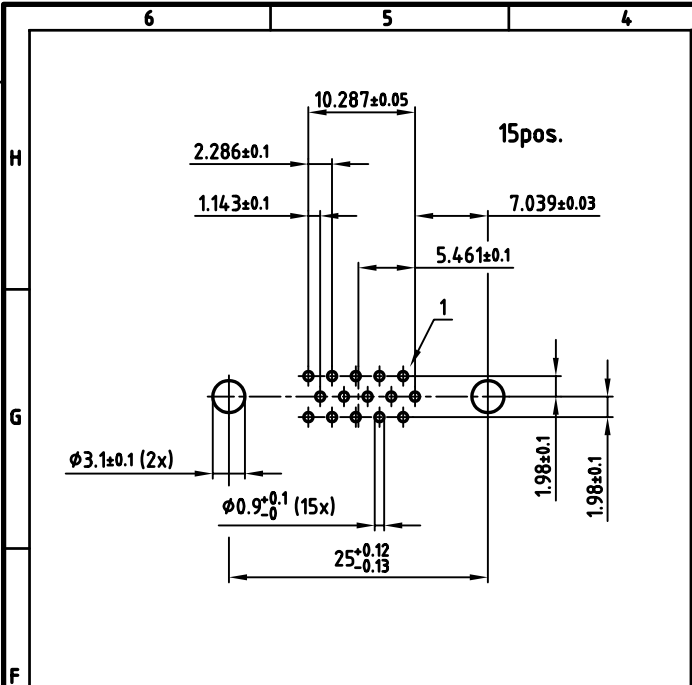
THIS DRAWING MAY NOT BE COPIED OR REPRODUCED IN ANY WAY, AND MAY NOT BE PASSED ON TO A THIRD PARTY, WITHOUT WRITTEN PERMISSION. OWNERSHIP AND COPYRIGHT OF CONEC GmbH. DO NOT ALTER CAD DRAWING BY HAND

rev.	description	date	name
a	Origin		

tolerance			dim. in mm	
2006	date		name	
drawn	15.02.	Lehmenkühler		
appd.	16.02.	Mickenbecker		
norm		DIN 41652		
d-old				

scale:	2:1 (5:1)		
material:	SEE NOTES		
title:			
D-SUB HD FILTER FEMALE 15-62pos. SOLDER PIN STRAIGHT with threaded spacer clip			
dwg no:	AutoCAD 2004	DIN-A	
	24K1A769	3	
		sh:1/2	
part no:	SEE TABLE		

used for: D-SUB HD FILTER



APPROVAL # FREIGABE # DEBLOCAGE # AUTORIZACION # APPROVAL

CUSTOMER APPROVAL DATE:

NAME: TITLE:

COMPANY NAME:

APPROVAL # FREIGABE # DEBLOCAGE # AUTORIZACION # APPROVAL

THIS DRAWING MAY NOT BE COPIED OR REPRODUCED IN ANY WAY, AND MAY NOT BE PASSED ON TO A THIRD PARTY, WITHOUT WRITTEN PERMISSION. OWNERSHIP AND COPYRIGHT OF CONEC GMBH DO NOT ALTER CAD DRAWING BY HAND

rev.	description	date	name
a	Origin		

tolerance	dim. in mm	scale:	2:1
		material:	SEE SHEET 1
2006	date	name	title:
drawn	15.02.	Lehmenkühler	P.C.B. HOLE DRILLINGS D-SUB HD FILTER FEMALE 15-62pos. with threaded spacer clip
appd.	16.02.	Mickenbecker	
norm	DIN 41652		
d-old			dwg no: AutoCAD 2004
			DIN-A
			3
			sh:2/2
		CONEC	part no: SEE SHEET 1