



# Pontiac Coil

2110 Queensway Searcy, AR 72143

Phone 501-268-6877 Website: www.pontiaccoil.com

## Model L-04 DC Solenoid Open Frame, Pull Type

**Pontiac Coil - Arkansas is an ISO 9001:2000 Certified Company**

\*Resistance values are  $\pm 10\%$  at 25°C

Model Code	Part No.	Voltage	Duty Cycle	Power (W)	Resistance ( $\Omega$ )*	Current (A)
L-04PL012D-C	F0451A	12VDC	Continuous	11	13.0	1.0
L-04PL012D-I	F0452A	12VDC	Intermittent	44	3.3	3.7
L-04PL024D-C	F0453A	24VDC	Continuous	11	52.0	0.5
L-04PL024D-I	F0454A	24VDC	Intermittent	44	13.0	1.9

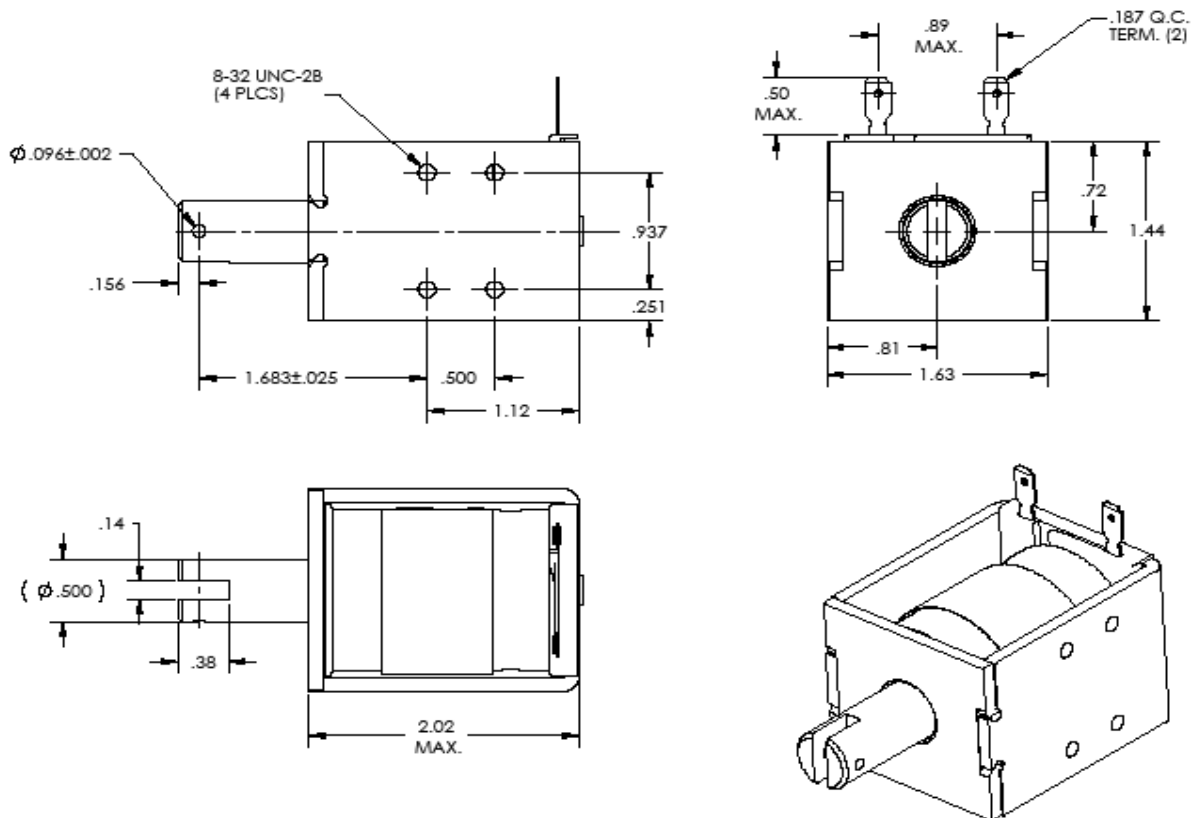
Definition of Duty Cycles:

**Continuous** = indefinite activation; **Intermittent** = 1 minute ON and 3 minutes OFF; **Pulse** = 100 msec. ON and 900 msec. OFF

**Special order options: 6 to 48 Volts DC or AC. Consult factory for other available modifications.**

Stroke (in.):	Sealed	1/8	1/4	3/8	1/2	5/8	3/4	1
Cont. Duty force	180 oz.	56 oz.	29 oz.	17 oz.	12 oz.	9 oz.	7 oz.	4 oz.
Int. Duty force	224 oz.	160 oz.	107 oz.	75 oz.	53 oz.	36 oz.	27 oz.	14 oz.

Typical force values when operated at 100% rated voltage at 25°C. Derating required for lower voltage and higher temperature.



Solenoid shown energized, with plunger seated

**Insulation Materials: UL Construction, Class B 130°C**

**Copper magnet wire insulation rated 155°C (class F)**

**Voltage Breakdown Strength: 1500 VAC RMS Life Expectancy: 10 million operations**