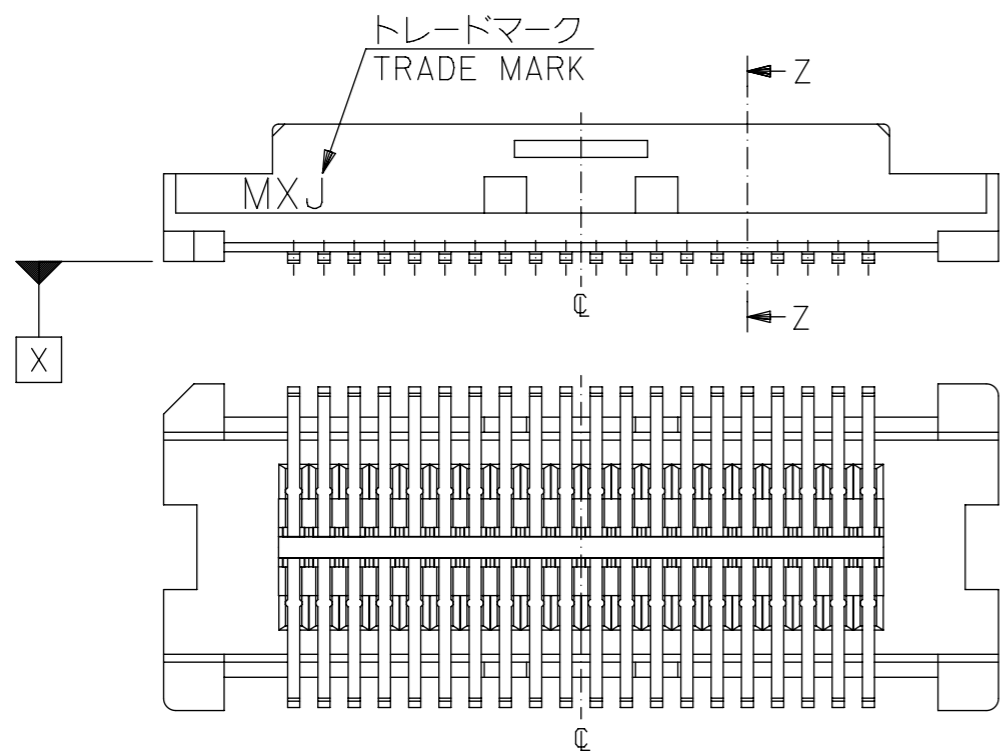
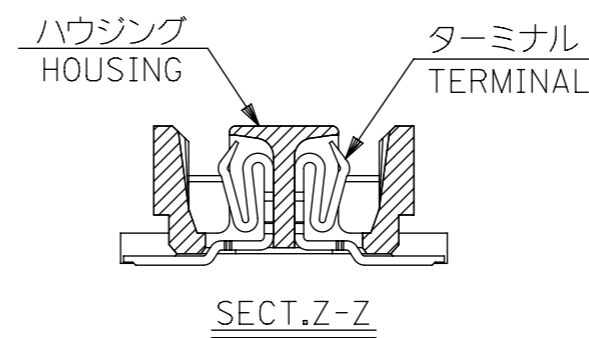
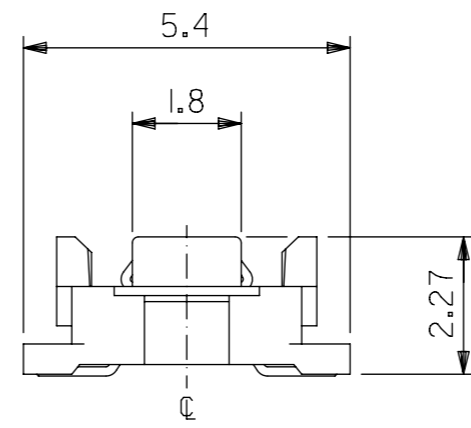


参考基板レイアウト (マウント面)
P.C.BOARD PATTERN
DIMENSION. (REF.)
(MOUNTING AREA)



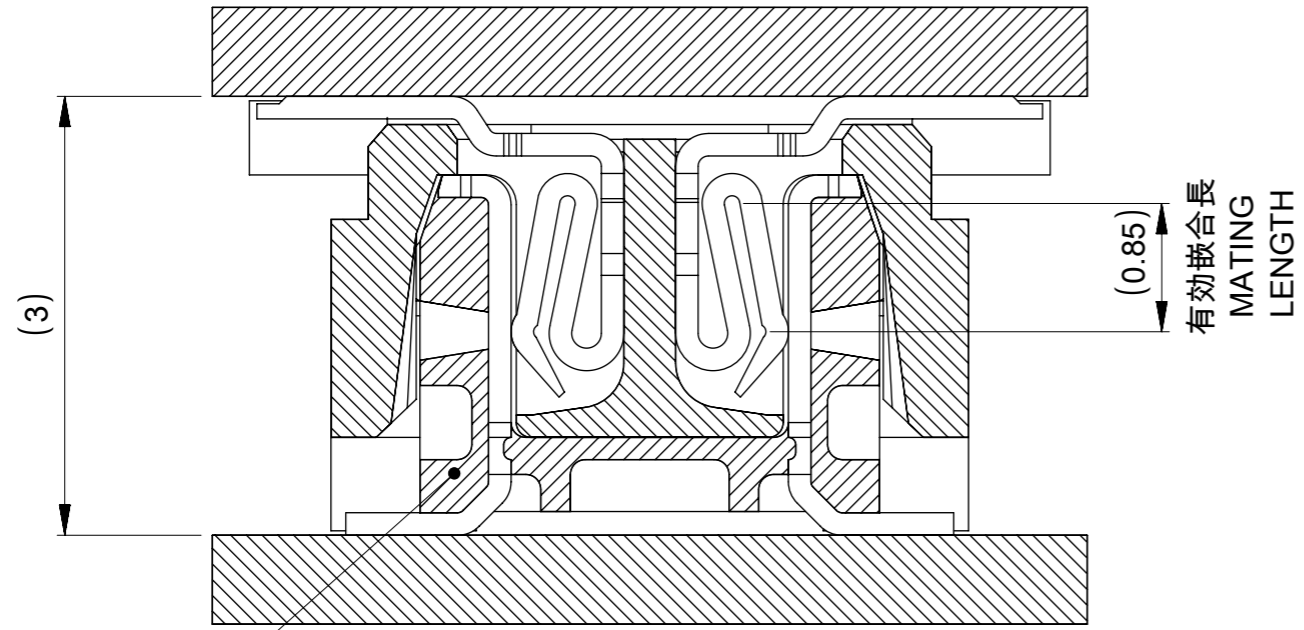
注記 NOTES:

1. 使用材料 MATERIAL
ハウジング : LCPガラス入り (黒), UL94V-0
HOUSING : LCP(G.F.)(COLOR:BLACK), UL94V-0
ターミナル : リン青銅 (t=0.15)
TERMINAL: PHOSPHOR BRONZE (t=0.15)
2. メッキ仕様 PLATING
全体仕上げ : 金メッキ 0.1 MICROMETER MIN.
ALL OVER :GOLD 0.1 MICROMETER MIN.
下地メッキ : ニッケルメッキ 1.5 MICROMETER MIN.
UNDER PLATING : NICKEL 1.5 MICROMETER MIN.
3. 基準面 X からのソルダーテールの半田付け面のズレ量は、上方向 0 下方向 0.15MAX. とする。
MISALIGNMENT OF SOLDER TAIL FROM X
: UPPER DIRECTION 0. LOWER DIRECTION 0.15 MAX.
△ (全極数/2) = 偶数の場合に適用。
APPLY FOR (CIRCUIT/2)=EVEN.

5. 嵌合相手 : 53748シリーズ (嵌合高さ = 3mm)、53916シリーズ (嵌合高さ = 4mm)、501920シリーズ (嵌合高さ = 4mm)
MATE WITH: 53748 SERIES (HEIGHT = 3mm), 53916 SERIES (HEIGHT = 4mm), AND 501920 SERIES (HEIGHT = 4mm)
6. テール平坦度は、0.1MAX.
TAIL COPLANARITY TO BE 0.1MAX.

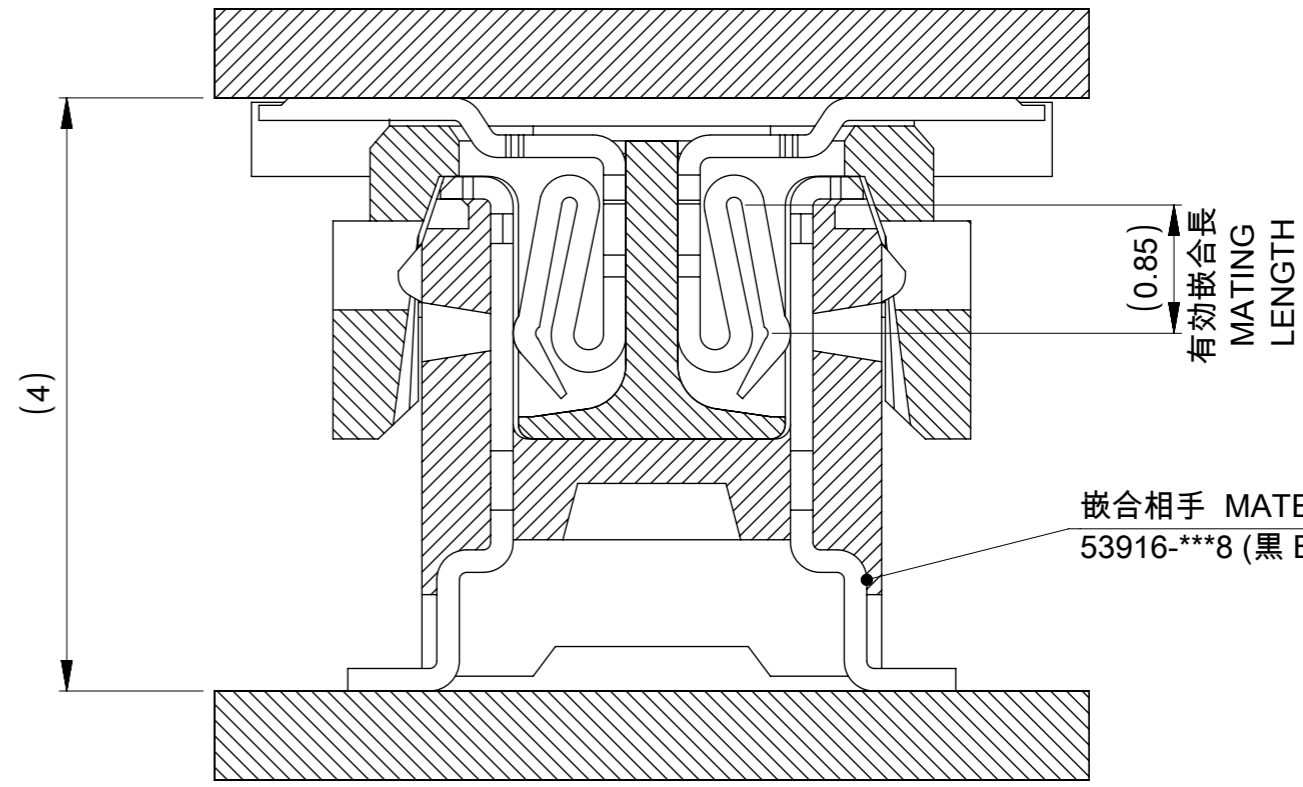
12.7	12.0	16.3	54167-0508	50
10.2	9.5	13.8	54167-0408	40
7.7	7.0	11.3	54167-0308	30
5.2	4.5	8.8	54167-0208	20
C	B	A	EMBOSSSED TAPE	極数
			ORDER No.	CIRCUIT
CONNECTOR SERIES No.			54167-***1	

THIS DRAWING CONTAINS INFORMATION THAT IS PROPRIETARY TO MOLEX ELECTRONIC TECHNOLOGIES, LLC AND SHOULD NOT BE USED WITHOUT WRITTEN PERMISSION		CURRENT REV DESC: REVISED		molex	
DIMENSION UNITS	SCALE	EC NO: 642297			
mm	8:1	DRWN: SUDAYGUNAGI		PRODUCT CUSTOMER DRAWING	
GENERAL TOLERANCES (UNLESS SPECIFIED)		CHK'D: HSHIMYOYAMA		DOCUMENT NUMBER	
ANGULAR TOL ± 30°		APPR: SHOSHIKAWA		DOC TYPE DOC PART REVISION	
4 PLACES ± 0.2		INITIAL REVISION:		SD-54167-001	
3 PLACES ± 0.25		DRWN: NAIDA		PSD 001 F	
2 PLACES ± 0.3		APPR: NUKITA		MATERIAL NUMBER	
1 PLACE ±		THIRD ANGLE PROJECTION		CUSTOMER	
0 PLACES ±		DRAWING		GENERAL	
DRAFT WHERE APPLICABLE MUST REMAIN WITHIN DIMENSIONS		SERIES		SHEET NUMBER	
DRAFT WHERE APPLICABLE MUST REMAIN WITHIN DIMENSIONS		A3-SIZE		1 OF 2	
		54167		SEE TABLE	



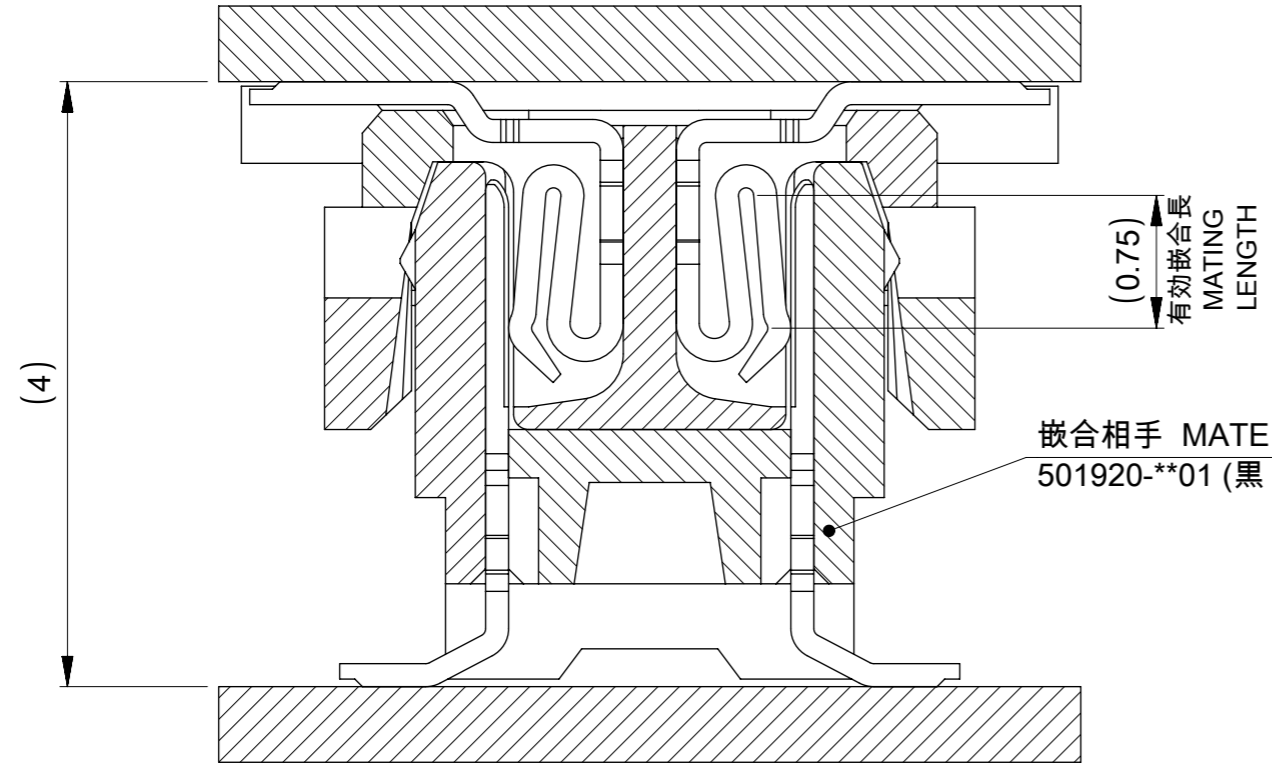
嵌合相手 MATE WITH
53748-***8 (白 WHITE)
53748-***4 (白 WHITE)

嵌合断面図 (参考)
MATED DRAWING (REF.)



嵌合相手 MATE WITH
53916-***8 (黒 BLACK)

嵌合断面図 (参考)
MATED DRAWING (REF.)

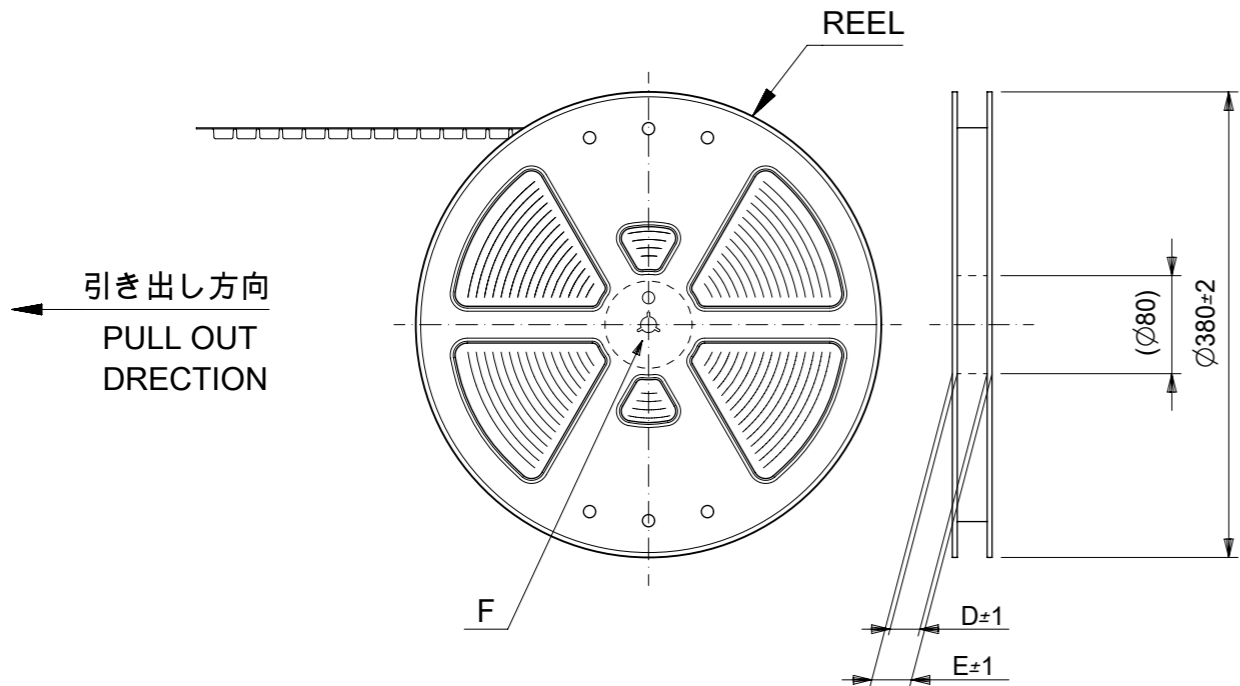


嵌合相手 MATE WITH
501920-**01 (黒 BLACK)

嵌合断面図 (参考)
MATED DRAWING (REF.)

THIS DRAWING CONTAINS INFORMATION THAT IS PROPRIETARY TO MOLEX ELECTRONIC TECHNOLOGIES, LLC AND SHOULD NOT BE USED WITHOUT WRITTEN PERMISSION

DIMENSION UNITS		SCALE		CURRENT REV DESC: REVISED			
mm		20:1					
GENERAL TOLERANCES (UNLESS SPECIFIED)				ANGULAR TOL ± 30°			
10 ^{UNDER}		±0.2		4 PLACES		± 0.2	
10 ^{OVER} 30 ^{UNDER}		±0.25		3 PLACES		± 0.25	
30 ^{OVER}		±0.3		2 PLACES		± 0.3	
				1 PLACE		±	
				0 PLACES		±	
ANGULAR±3°				0 PLACES ±			
DRAFT WHERE APPLICABLE MUST REMAIN WITHIN DIMENSIONS				DRAFT WHERE APPLICABLE MUST REMAIN WITHIN DIMENSIONS			
THIRD ANGLE PROJECTION		DRAWING		SERIES		MATERIAL NUMBER	
		A3-SIZE		54167		SEE SHEET 1	
EC NO: 642297				2020/08/20			
DRWN: SUDAYGUNAGI				2020/11/30			
CHK'D: HSHIMUYAMA				2020/11/30			
APPR: SHOSHIKAWA				2020/11/30			
INITIAL REVISION:							
DRWN: NAIDA				2005/08/31			
APPR: NUKITA				2005/09/09			
DOCUMENT NUMBER		DOC TYPE		DOC PART		REVISION	
SD-54167-001		PSD		001		F	
CUSTOMER		SHEET NUMBER					
GENERAL		2 OF 2					

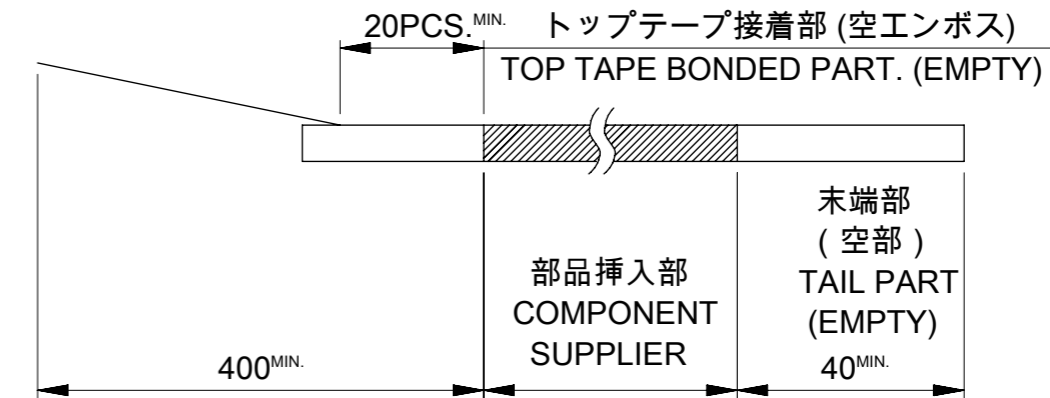


引き出し方向
PULL OUT
DIRECTION

引き出し方向
PULL OUT
DIRECTION

NOTES

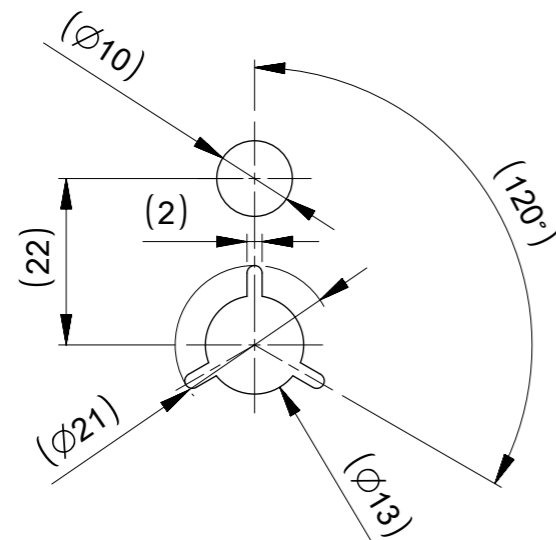
- 製品詳細寸法については図面 SD-54167-001を参照下さい。
DETAIL DIMENSION, SEE SD-54167-001
- 梱包数量 : 3000個 / リール
NUMBER OF CONNECTORS : 3000PCS/REEL
- リードテープ長さ LEAD TAPE LENGTH



- カバートープの剥離強度については、IEC60286-3に準拠
COVER TAPE PEEL FORCE IS DEFINED BY IEC60286-3.

5. 材料 (MATERIAL)

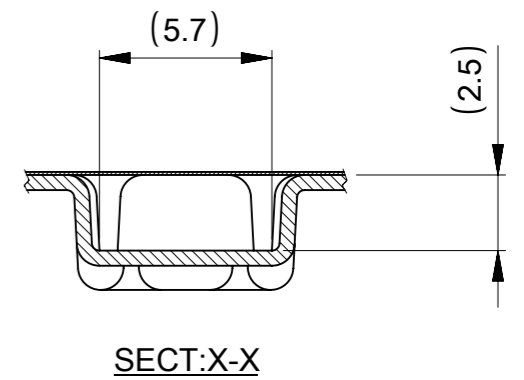
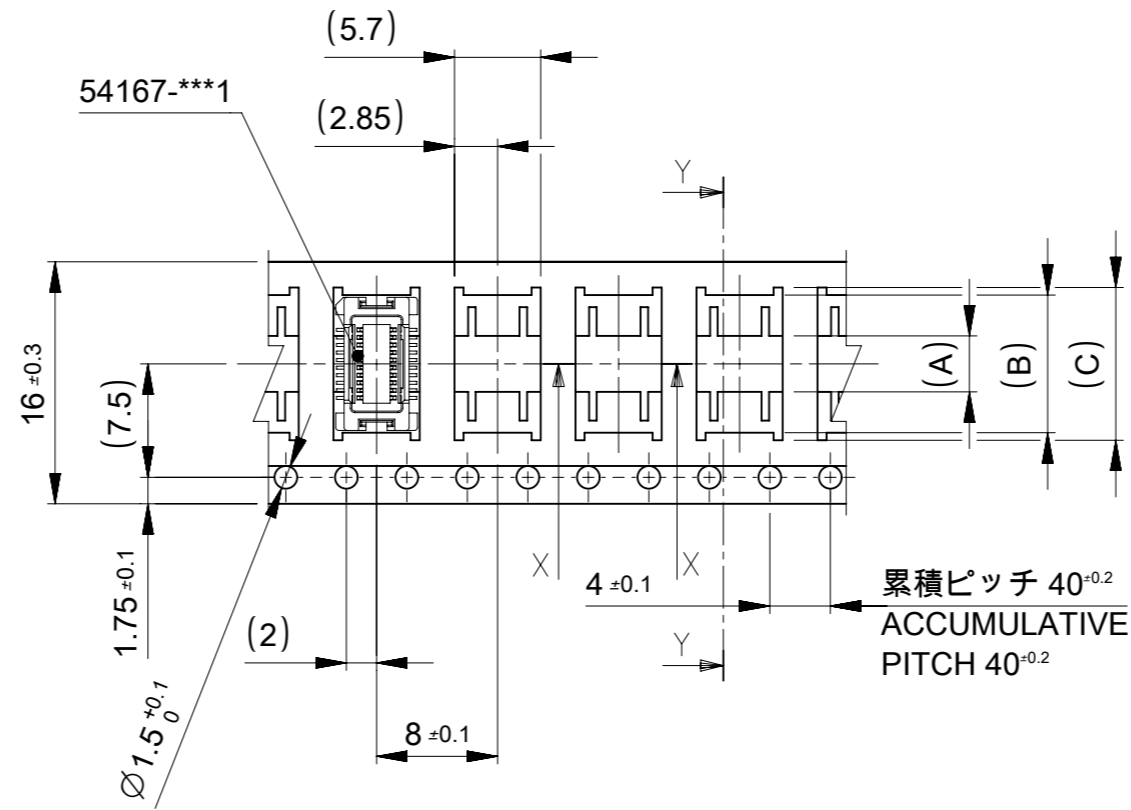
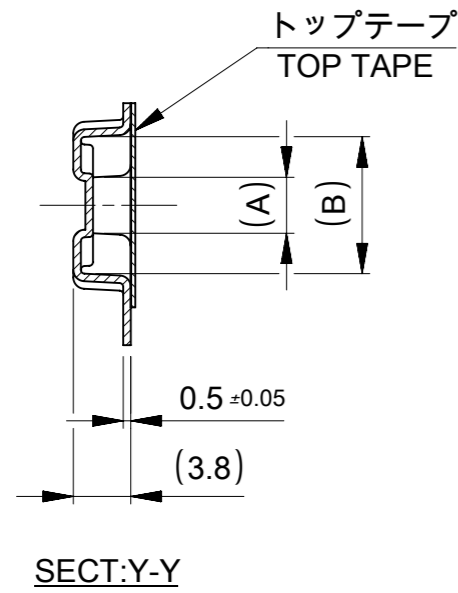
キャリアテープ (CARRIER TAPE) : ポリプロピレン (POLYPROPYLENE)
 トップテープ (TOPTAPE) : PET , PE , PEF
 リール(REEL) : ポリスチレン (PS) <リサイクル材を含む>
 POLYSTYREN(PS) <RECYCLE MATERIAL CONTAINED>



DETAIL "F"

THIS DRAWING CONTAINS INFORMATION THAT IS PROPRIETARY TO MOLEX ELECTRONIC TECHNOLOGIES, LLC AND SHOULD NOT BE USED WITHOUT WRITTEN PERMISSION		CURRENT REV DESC: REVISED		molex	
DIMENSION UNITS	SCALE				
mm	NTS			PRODUCT CUSTOMER DRAWING	
GENERAL TOLERANCES (UNLESS SPECIFIED)		GENERAL TOLERANCES (UNLESS SPECIFIED)		DOCUMENT NUMBER	
ANGULAR TOL ± 3.0°		ANGULAR TOL ± 3.0°		SD-54167-002	
4 PLACES ±		4 PLACES ±		DOC TYPE	
3 PLACES ±		3 PLACES ±		PSD	
2 PLACES ±		2 PLACES ±		DOC PART	
1 PLACE ±		1 PLACE ±		001	
0 PLACES ±		0 PLACES ±		REVISION	
				G	
DRAFT WHERE APPLICABLE MUST REMAIN WITHIN DIMENSIONS		DRAFT WHERE APPLICABLE MUST REMAIN WITHIN DIMENSIONS		SHEET NUMBER	
		THIRD ANGLE PROJECTION		1 OF 4	
		DRAWING		MATERIAL NUMBER	
		A3-SIZE		SEE SHEET 2-4	
		SERIES		CUSTOMER	
		54167		GENERAL	

引き出し方向
PULL OUT DIRECTION

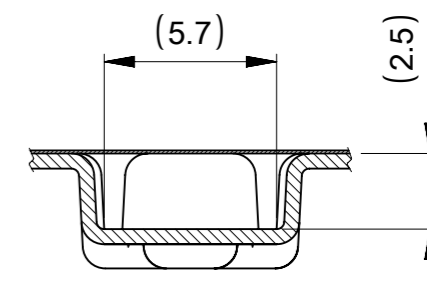
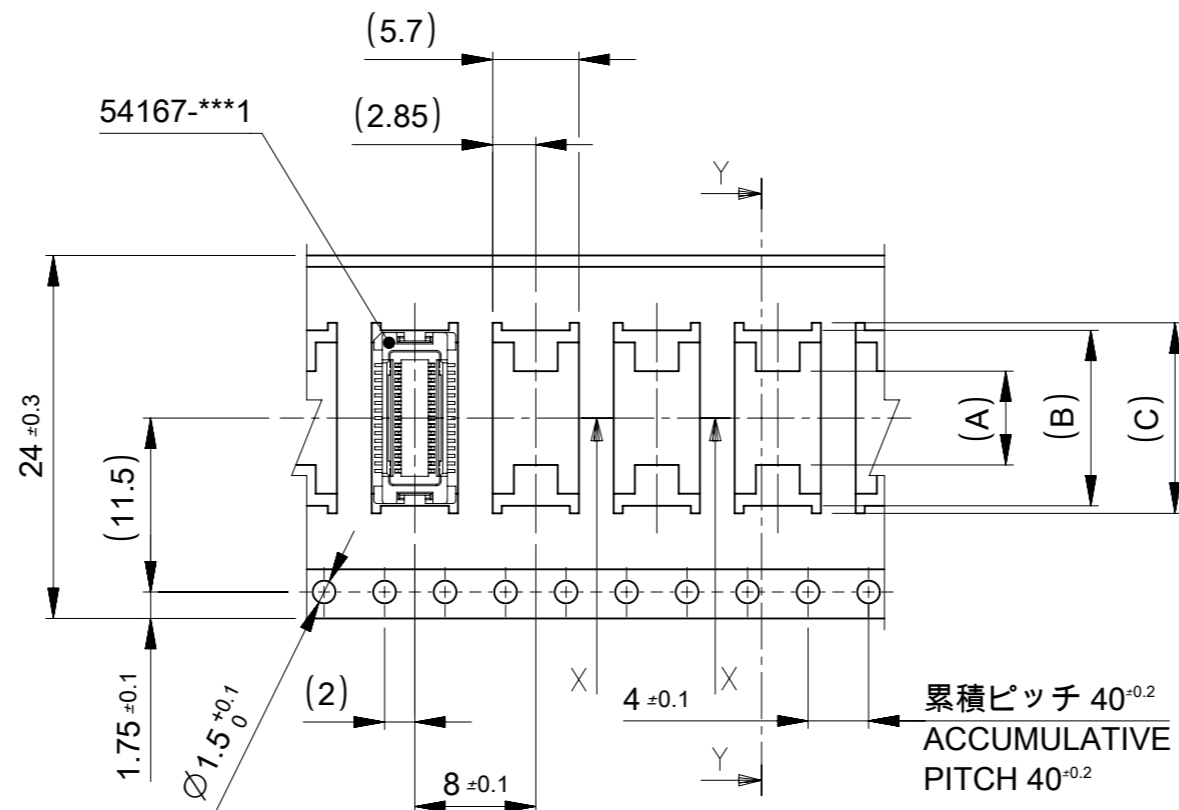
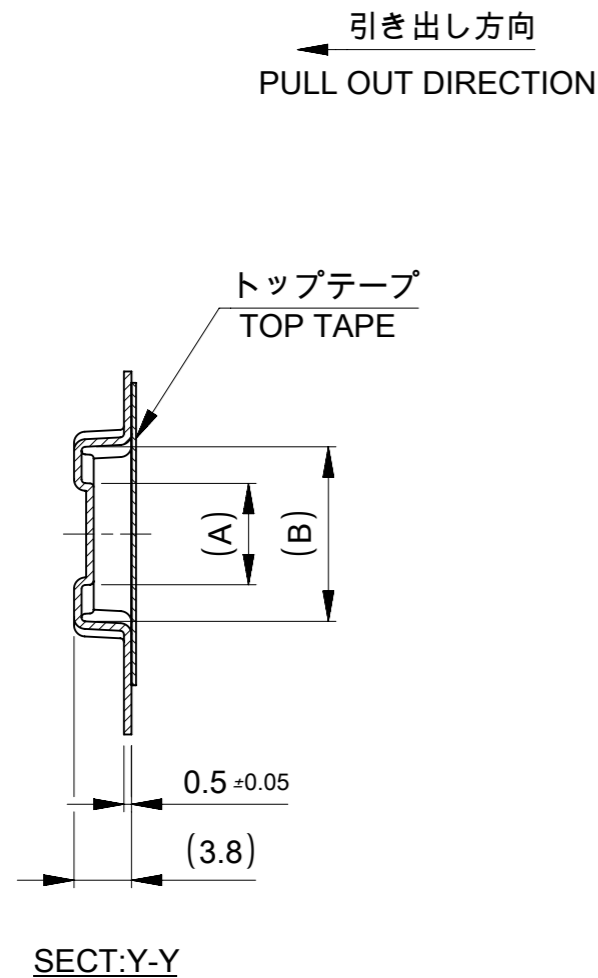


16mm 幅キャリアテープ
16mm WIDTH CARRIER TAPE

16	21.4	17.4	10.1	9.1	3.7	54167-0208	20
キャリアテープ幅 CARRIER TAPE WIDTH	E	D	(C)	(B)	(A)	MATERIAL NO.	極数 CKT.

THIS DRAWING CONTAINS INFORMATION THAT IS PROPRIETARY TO MOLEX ELECTRONIC TECHNOLOGIES, LLC AND SHOULD NOT BE USED WITHOUT WRITTEN PERMISSION		CURRENT REV DESC: REVISED		molex			
DIMENSION UNITS	SCALE						
mm	NTS			0.5 MM PITCH B-TO-B CONN. HEIGHT = 3 & 4 RECEPTACLE EMBOSS TAPE PACKAGE			
GENERAL TOLERANCES (UNLESS SPECIFIED)		ANGULAR TOL ± 3.0°		PRODUCT CUSTOMER DRAWING			
4 PLACES ±		EC NO: 649457		DOCUMENT NUMBER			
3 PLACES ±		DRWN: SUDAYGUNAGI		DOC TYPE			
2 PLACES ±		CHK'D: HSHIMOYAMA		DOC PART			
1 PLACE ±		APPR: SHOSHIKAWA		REVISION			
0 PLACES ±		INITIAL REVISION:		SD-54167-002			
		DRWN: NAIDA		PSD			
		APPR: NUKITA		001			
		THIRD ANGLE PROJECTION		G			
		DRAWING		SHEET NUMBER			
		A3-SIZE		2 OF 4			

GENERAL TOLERANCES (UNLESS SPECIFIED)	
10 ^{UNDER}	±0.2
10 ^{OVER} 30 ^{UNDER}	±0.25
30 ^{OVER}	±0.3
ANGULAR ±3°	
DRAFT WHERE APPLICABLE MUST REMAIN WITHIN DIMENSIONS	



24mm 幅キャリアテープ
24mm WIDTH CARRIER TAPE

24	29.4	25.4	15.1	14.1	7.4	54167-0408	40
			12.6	11.6	4.9	54167-0308	30
キャリアテープ幅 CARRIER TAPE WIDTH	E	D	(C)	(B)	(A)	MATERIAL NO.	極数 CKT.

THIS DRAWING CONTAINS INFORMATION THAT IS PROPRIETARY TO MOLEX ELECTRONIC TECHNOLOGIES, LLC AND SHOULD NOT BE USED WITHOUT WRITTEN PERMISSION

DIMENSION UNITS: mm SCALE: NTS

CURRENT REV DESC: REVISED

molex

0.5 MM PITCH B-TO-B CONN.
HEIGHT = 3 & 4 RECEPTACLE EMBOSS TAPE PACKAGE

PRODUCT CUSTOMER DRAWING

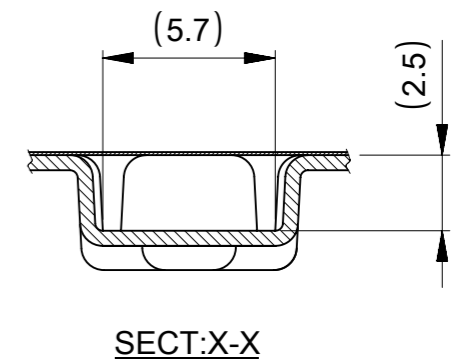
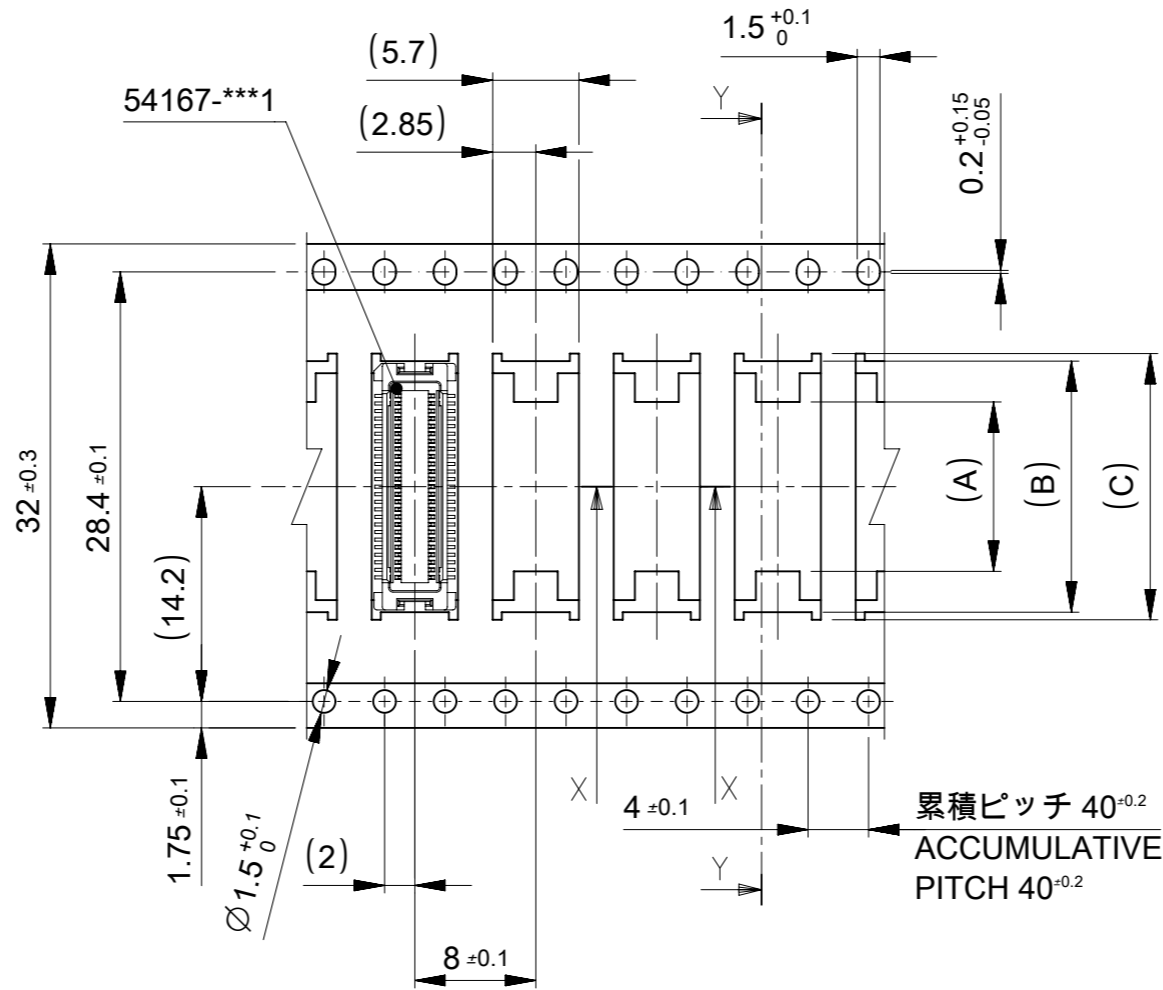
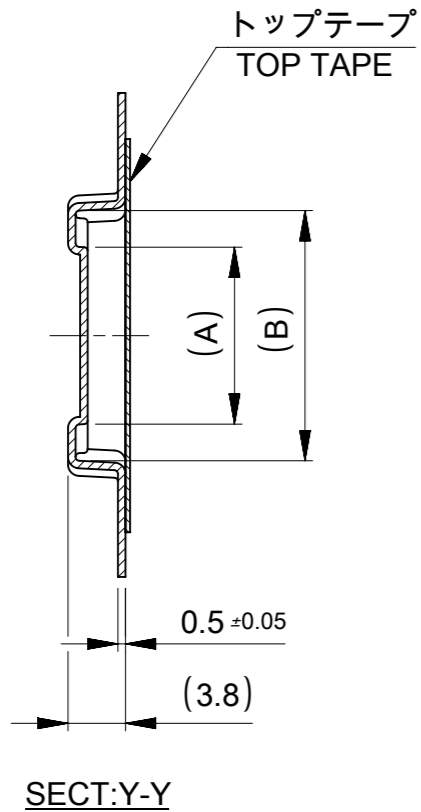
EC NO: 649457
DRWN: SUDAYGUNAGI 2020/08/21
CHK'D: HSHIMYOYAMA 2020/12/02
APPR: SHOSHIKAWA 2020/12/02

INITIAL REVISION:
DRWN: NAIDA 2005/08/31
APPR: NUKITA 2005/09/09

DOCUMENT NUMBER	DOC TYPE	DOC PART	REVISION
SD-54167-002	PSD	001	G

DRAFT WHERE APPLICABLE MUST REMAIN WITHIN DIMENSIONS	DRAFT WHERE APPLICABLE MUST REMAIN WITHIN DIMENSIONS	THIRD ANGLE PROJECTION	DRAWING	SERIES	MATERIAL NUMBER	CUSTOMER	SHEET NUMBER
			A3-SIZE	54167	SEE TABLE	GENERAL	3 OF 4

引き出し方向
PULL OUT DIRECTION



32mm 幅キャリアテープ
32mm WIDTH CARRIER TAPE

32	37.4	33.4	17.6	16.6	11.2	54167-0508	50
キャリアテープ幅 CARRIER TAPE WIDTH	E	D	(C)	(B)	(A)	MATERIAL NO.	極数 CKT.

THIS DRAWING CONTAINS INFORMATION THAT IS PROPRIETARY TO MOLEX ELECTRONIC TECHNOLOGIES, LLC AND SHOULD NOT BE USED WITHOUT WRITTEN PERMISSION

DIMENSION UNITS mm	SCALE NTS	CURRENT REV DESC: REVISED					
GENERAL TOLERANCES (UNLESS SPECIFIED)		molex 0.5 MM PITCH B-TO-B CONN. HEIGHT = 3 & 4 RECEPTACLE EMBOSS TAPE PACKAGE PRODUCT CUSTOMER DRAWING					
ANGULAR TOL ± 3.0°							
4 PLACES ±	3 PLACES ±	EC NO: 649457	2020/08/21				DOCUMENT NUMBER SD-54167-002
3 PLACES ±	2 PLACES ±	DRWN: SUDAYGUNAGI	2020/12/02				
2 PLACES ±	1 PLACE ±	CHK'D: HSHIMOYAMA	2020/12/02				DOC TYPE PSD
1 PLACE ±	0 PLACES ±	APPR: SHOSHIKAWA	2020/12/02				DOC PART 001
ANGULAR ± 3°		INITIAL REVISION:	2005/08/31				REVISION G
		DRWN: NAIDA	2005/09/09				
		APPR: NUKITA	2005/09/09				
DRAFT WHERE APPLICABLE MUST REMAIN WITHIN DIMENSIONS	DRAFT WHERE APPLICABLE MUST REMAIN WITHIN DIMENSIONS	THIRD ANGLE PROJECTION	DRAWING A3-SIZE	SERIES 54167	MATERIAL NUMBER SEE TABLE	CUSTOMER GENERAL	SHEET NUMBER 4 OF 4

GENERAL TOLERANCES (UNLESS SPECIFIED)	
10 ^{UNDER}	± 0.2
10 ^{OVER} 30 ^{UNDER}	± 0.25
30 ^{OVER}	± 0.3
ANGULAR ± 3°	