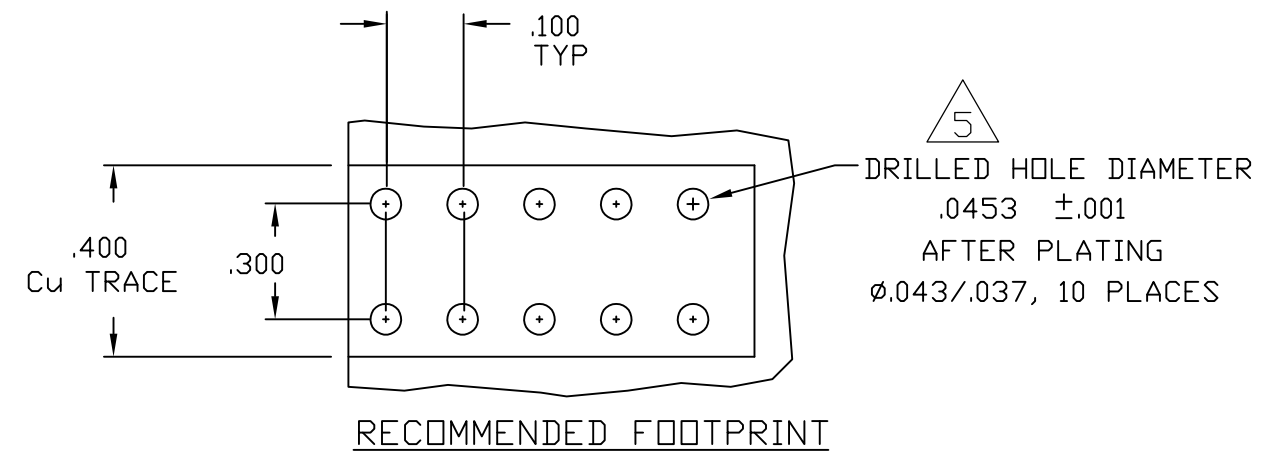
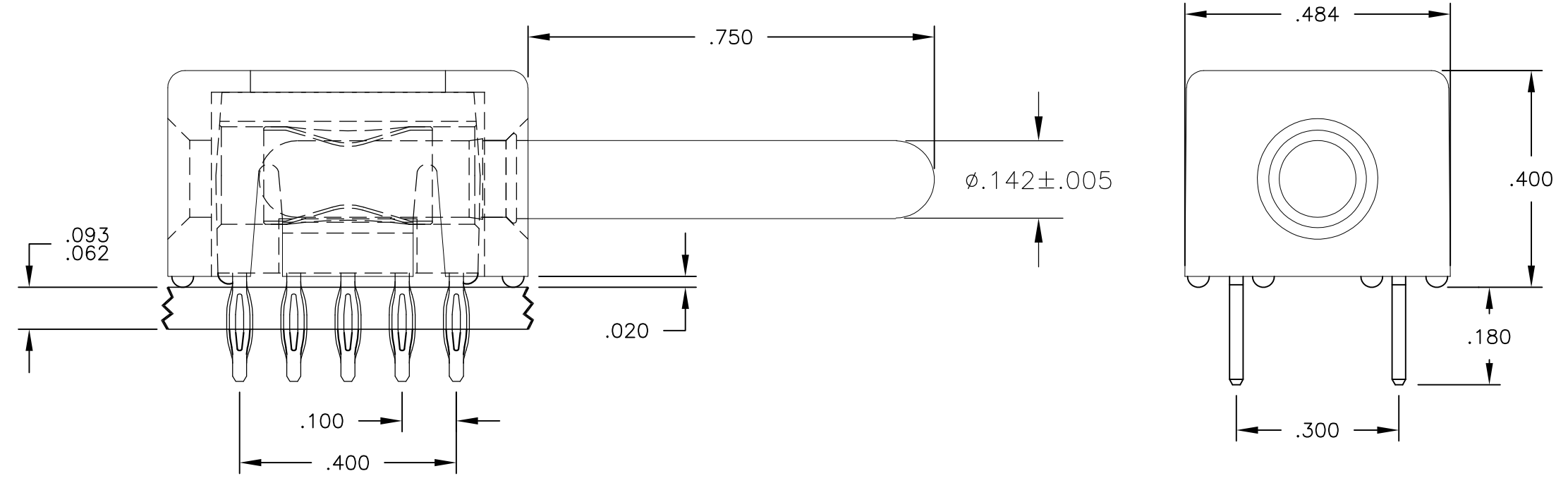


THIS DRAWING IS UNPUBLISHED. RELEASED FOR PUBLICATION  
 © COPYRIGHT - TE Connectivity ALL RIGHTS RESERVED.

REVISIONS					
P	LTR	DESCRIPTION	DATE	DWN	APVD
	C1	REVISED PER ECR-17-008430	12JUN2017	RS	SZ



- 7 FINISH FOR COMPLIANT PIN: .00020 MIN THK. SILVER OVER .000040 MIN THK. NICKEL.
- 6 FINISH FOR COMPLIANT PIN: .000040 MIN THK. TIN OVER .000050 MIN THK. NICKEL.
- 5 FOR APPLICATIONS UTILIZING AN IMMERSION SILVER PLATED PCB, CONTACT TYCO ENGINEERING.
- 4. FINISH:
  - INSULATOR - AS MOLDED COLOR BLACK
  - MODULE - SILVER PLATED .0002 MIN THK. OVER NICKEL .000040 MIN THK.
  - CROWN - GOLD PLATED .000030 MIN THK. OVER NICKEL .000040 MIN THK.
  - PIN CONTACT - SILVER PLATED .00020 MIN THK. OVER NICKEL .000040 MIN THK.

- 3. MATERIAL:
  - INSULATOR - POLYESTER, GLASS FILLED, UL 94 V-0
  - MODULE - ZINC ALLOY
  - CROWN - COPPER ALLOY
  - PIN CONTACT - BRASS
  - COMPLIANT PIN - PHOSPHOR BRONZE

2. ITEMS PROVIDED TO THIS SPECIFICATION SHALL BE IDENTIFIED ON CONTAINER WITH THE FOLLOWING INFORMATION PART NUMBER AND DATE CODE OF MANUFACTURE.

1. PART NUMBER CHANGES AND/OR DESIGN CHANGES AFFECTING ITEM INTERCHANGEABILITY REQUIRE PRIOR TYCO APPROVAL AND AUTHORIZATION BY REVISION TO THIS DRAWING.

6	6643443-2
7	6643443-1
DESCRIPTION	PART NUMBER

THIS DRAWING IS A CONTROLLED DOCUMENT.		DWN R.GRZYBOWSKI 21AUG06	TE Connectivity		
DIMENSIONS: INCHES		CHK S.FLICKINGER 21AUG06			
TOLERANCES UNLESS OTHERWISE SPECIFIED:		APVD S.FLICKINGER 21AUG06	NAME ICCON PIN, PARALLEL, COMPLIANT PIN NONLOCKING, 10 PIN FOOTPRINT		
0 PLC ± - 1 PLC ± - 2 PLC ± .02 [.3] 3 PLC ± .010 [.25] 4 PLC ANGLES ± - ± .5		PRODUCT SPEC 108-128033	SIZE		
MATERIAL -		APPLICATION SPEC 114-13298	CAGE CODE A300779	DRAWING NO C-6643443	RESTRICTED TO -
FINISH -		WEIGHT 0	SCALE 4:1 SHEET 1 OF 1 REV C1		
CUSTOMER DRAWING					