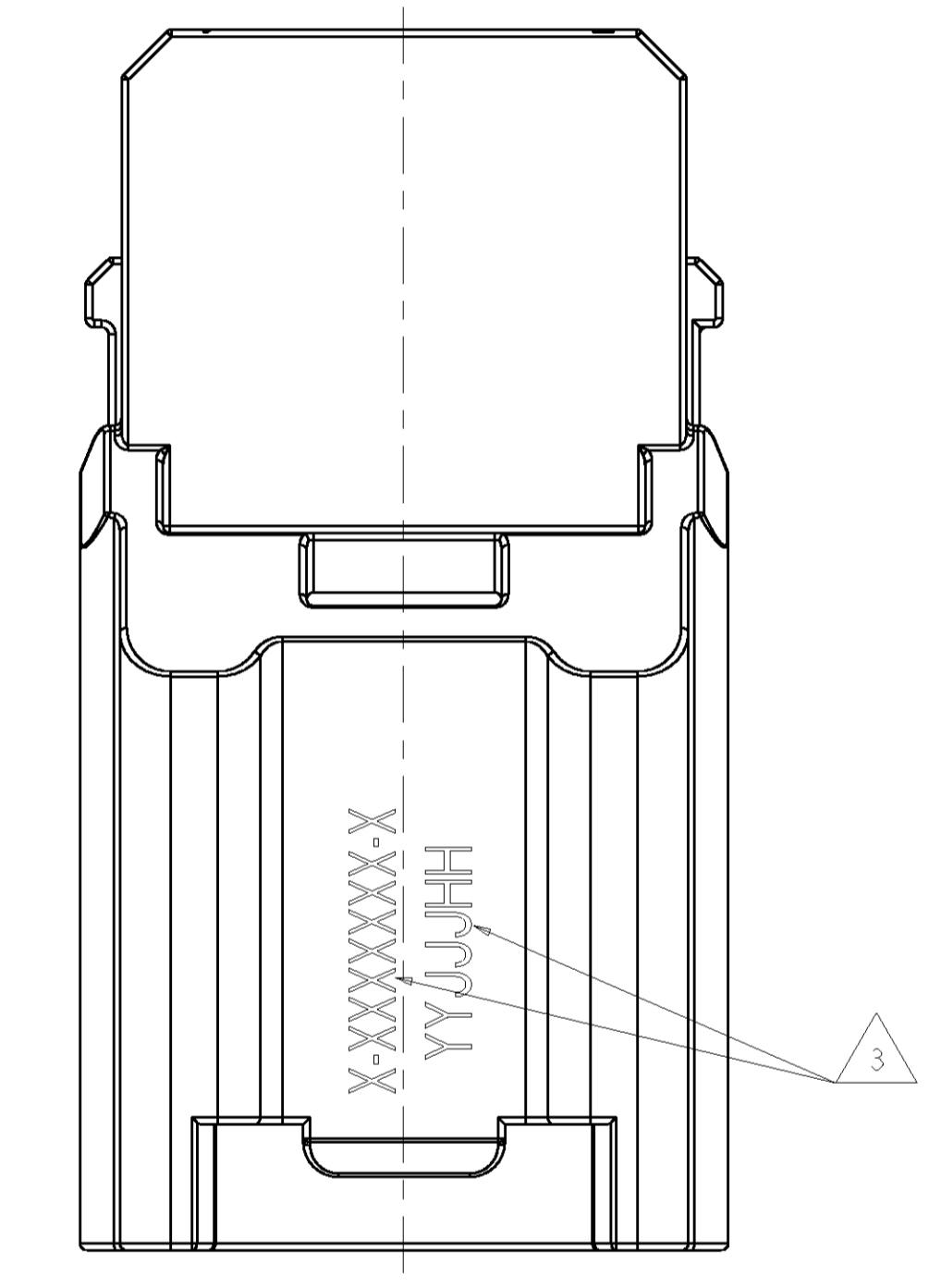
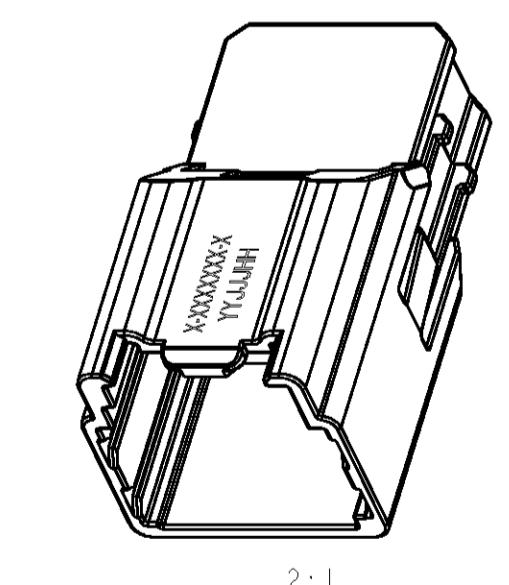


WORST CASE FEED THRU CONDITION



KEYING OPTION A IS SHOWN



- NOTE:
- 1 TERMINAL POSITION NUMBERS LOCATED AS SHOWN
 - 2 SPACER IS SHIPPED IN PRE-ASSEMBLED POSITION
 - 3 PARTNUMBER AND DATE CODE
 - 4 PRODUCT REVISION LEVEL (OPTIONAL)
 - 5 TOOL NUMBER, MOLD CAVITY NUMBER, TYCO LOGO (OPTIONAL)
 - 6 MATERIAL IDENTIFICATION
 - 7 PACKING: CONNECTOR ASSEMBLIES HAVE TO BE BULK PACKED IN CARD BOARD BOX

TYCO ORDER NUMBER	KEYING OPTIONS								ITEM	DESCRIPTION	MATERIAL	COLOUR
	A	C	D	E	F	G	H					
9-1419157-6								2	SPACER	PBT - GF 30	RED	
1-1414147-7								1	MALE HOUSING	PA66-GF35	BLACK	
2-1414167-3								1	MALE HOUSING	PA66-GF35	BLACK	
2-1414167-4								1	MALE HOUSING	PA66-GF35	BLACK	
2-1414167-5								1	MALE HOUSING	PA66-GF35	BLACK	
2-1414167-6								1	MALE HOUSING	PA66-GF35	BLACK	
2-1414167-7								1	MALE HOUSING	PA66-GF35	BLACK	
									KEYING OPTIONS			

TYCO ELECTRONICS CORPORATION
 THIS DRAWING IS UNPUBLISHED. RELEASED FOR PUBLICATION
 ALL RIGHTS RESERVED. THIS DRAWING IS THE PROPERTY OF TYCO ELECTRONICS CORPORATION. IT IS TO BE USED ONLY FOR THE PURPOSES AND ORGANIZATION FOR WHICH IT WAS PREPARED. NO PARTS OR INFORMATION ARE TO BE REPRODUCED OR TRANSMITTED IN ANY FORM OR BY ANY MEANS, ELECTRONIC OR MECHANICAL, INCLUDING PHOTOCOPYING, RECORDING, OR BY ANY INFORMATION STORAGE AND RETRIEVAL SYSTEM, WITHOUT PERMISSION IN WRITING FROM TYCO ELECTRONICS CORPORATION.

DWN: A. Kern 26SEP2002
 ENH: -
 APVD: -

Tyco Electronics Tyco Electronics AMP GmbH
 D-63225 Langen

PRODUCT SPEC: 2x5 POS. GET MALE CONNECTOR, UNSEALED ASSEMBLY
 APPLICATION SPEC: -
 WEIGHT: -
 CUSTOMER DRAWING: A | 00779 C=1-1419147-7

DIMENSIONS: mm
 TOLERANCES UNLESS OTHERWISE SPECIFIED:
 1. PLC ±0.1
 2. PLC ±0.1
 3. PLC ±0.1
 4. PLC ±0.001
 DIMENSIONS IN PARENTHESES ARE MINIMUMS

MATERIAL: - FINISH: -

RESTRICTED TO: -
 SCALE: 5:1 SHEET 1 OF 1 REV B