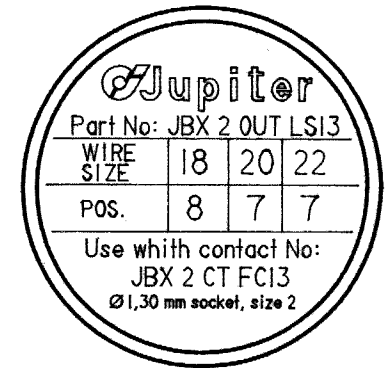
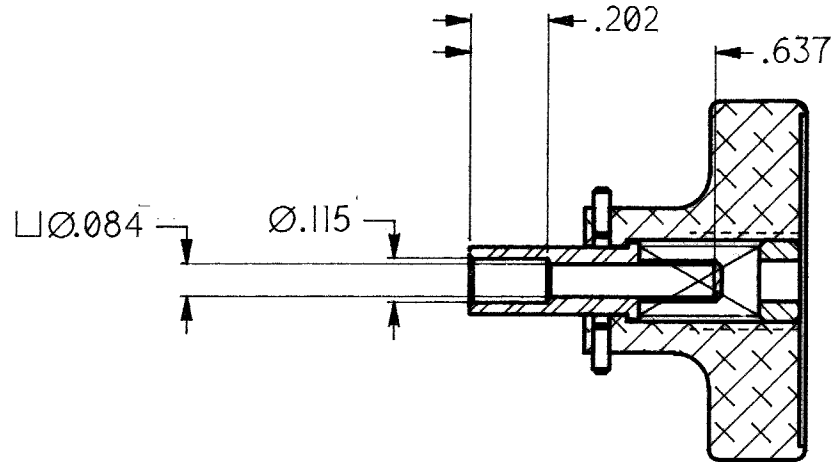
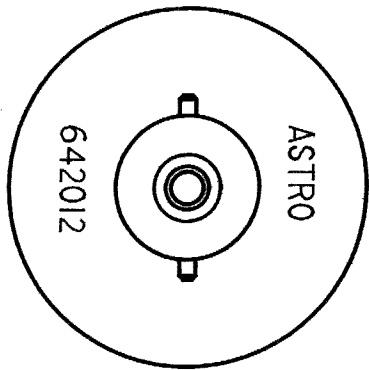


**UNCONTROLLED DOCUMENT
WILL NOT BE UPDATED**

**FILE# 642012C
CAD# M642012C**



5. NOTIFY BURNDY/FCI AFTER ANY CHANGES TO DRAWING.
4. REF: JUPITER PART# JBX 2 OUT LS13.
- 3.
2. THIS IS A CUSTOMER REFERENCE DRAWING, TO ORDER USE PART # 642012.
1. THIS IS A CAD DRAWING DO NOT CHANGE MANUALLY

NOTES:

NOV 14 1993

FILE COPY

2	DESCRIPTION	BY	DATE	APR.	<small>THESE DRAWINGS, SPECIFICATIONS OR OTHER DATA ARE AND REMAIN, THE PROPERTY OF ASTRO TOOL CORP. AND MUST BE RETURNED UPON REQUEST. THEY CONTAIN INFORMATION OWNED AND/OR DEVELOPED BY ASTRO AT ITS OWN PRIVATE EXPENSE AND MAY NOT BE USED, DUPLICATED OR DISCLOSED TO OTHERS, IN WHOLE OR IN PART FOR DESIGN, MANUFACTURE, OR PROCUREMENT WITHOUT THE WRITTEN PERMISSION OF ASTRO TOOL CORP. EACH AND EVERY TIME.</small>	SCALE: 2:1	<small>UNLESS OTHERWISE SPECIFIED: DECIMALS: .XXX ± .005 .XX ± .010 .X ± .030 ANGLES: ± 1°</small>		CAGE 58164
						DWN BY: GM			21615 S.W. TUALATIN VALLEY HWY., BEAVERTON OR 97006 DESCRIPTION: POSITIONER ASSEMBLY
REV.						DATE: 4-7-93			PART NO. A 642012C