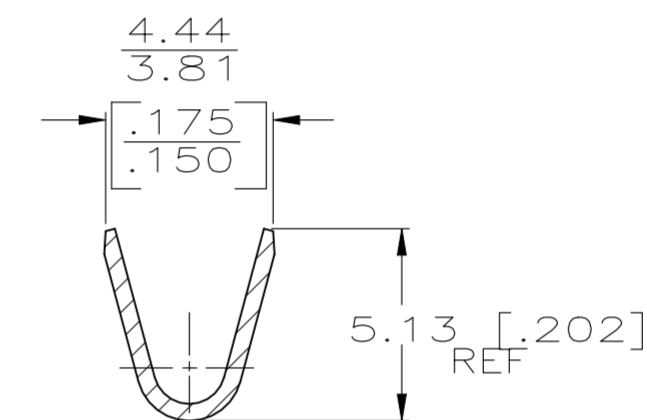
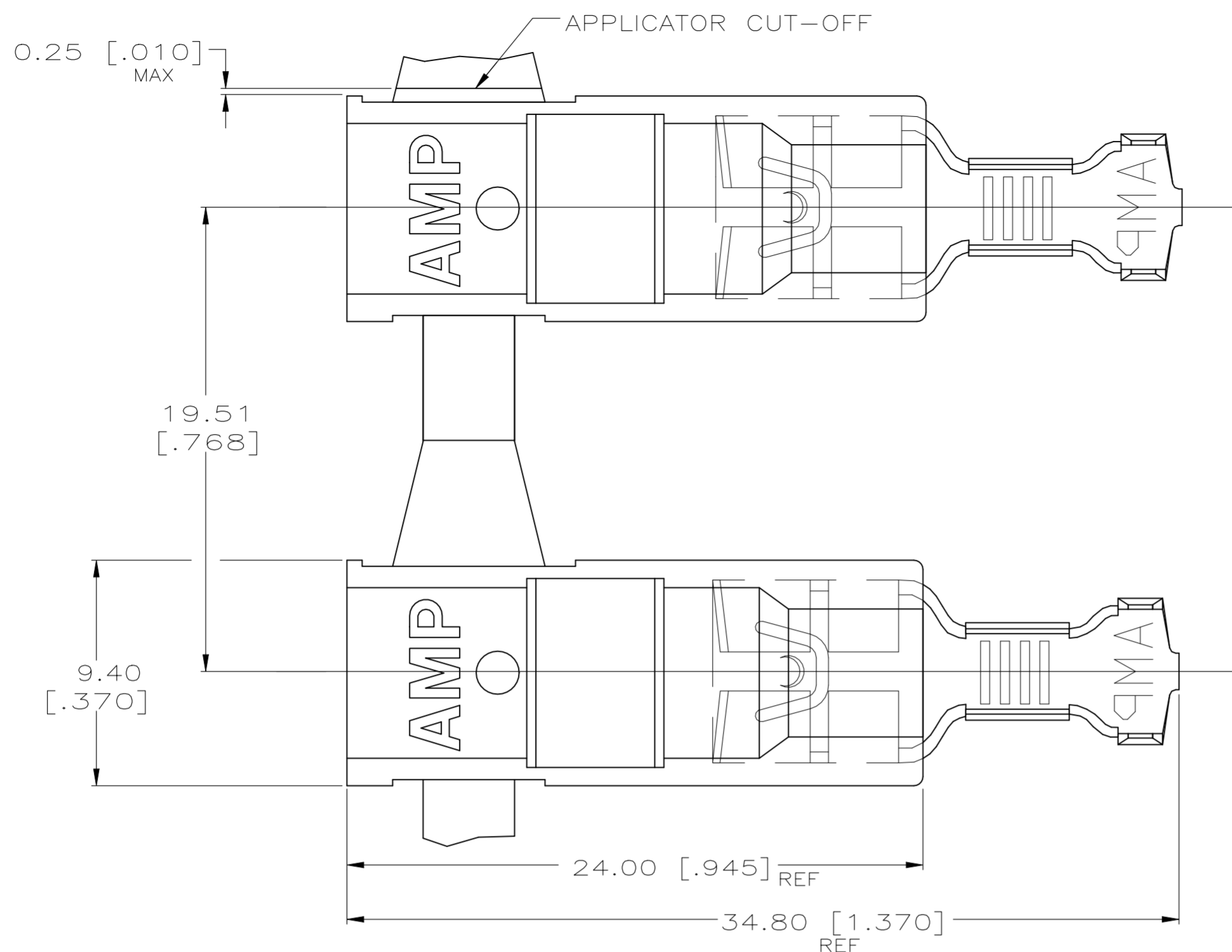
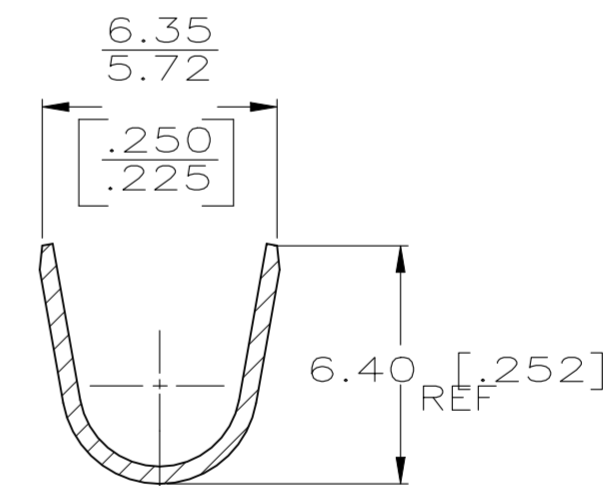
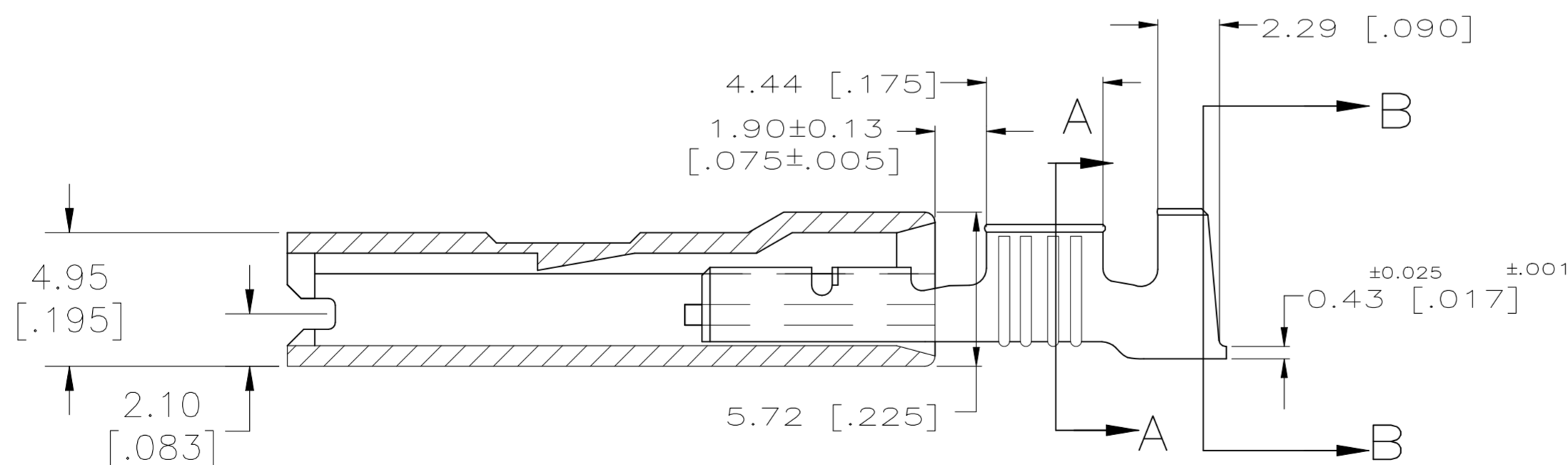


REVISIONS					
P	LTR	DESCRIPTION	DATE	DWN	APVD
M4		REVISED PER ECR-22-160893	14DEC2022	DB	BW



SECTION A-A



SECTION B-B

- 1 LOW-INSERTION FASTON TERMINALS, BASE P/N 63639, ARE USED IN THIS PRODUCT.
- 2 TIN PER MIL-T-10727.
- 3 MATERIAL: HOUSING - 6/6 NTLON
TERMINAL - BRASS
- 4 FINISH: HOUSING - COLOR, NATURAL
TERMINAL - SEE TABLE

OBSOLETE	BULK	PLAIN			-5-520974-2-
	STANDARD	2 TIN PLATED	3.30-4.57 [.130-.180]	2.0-5.0 mm [14-10]	520974-2
	PACKAGING	PLAIN			520974-1
		TERMINAL FINISH	INSULATION RANGE	WIRE SIZE	MATING TAB THK ±0.025 [±.001]
					PART NO.

THIS DRAWING IS A CONTROLLED DOCUMENT.		DWN	JR RUTH	6/11/90
DIMENSIONS: mm [INCHES]		CHK	MS FEHER	6/11/90
TOLERANCES UNLESS OTHERWISE SPECIFIED:		APVD	-	-
0 PLC	± -	NAME		
1 PLC	± -	PRODUCT SPEC		
2 PLC	± -	108-1285		
3 PLC	± 0.25 [.010]	APPLICATION SPEC		
4 PLC	± -	114-2124		
ANGLES	± -	WEIGHT		
FINISH	± -	0.000000		
MATERIAL		SIZE		CAGE CODE
3		A2		00779
4		DRAWING NO		RESTRICTED TO
		C=520974		-
CUSTOMER DRAWING		SCALE		SHEET
		5:1		1 of 1
		REV		M4