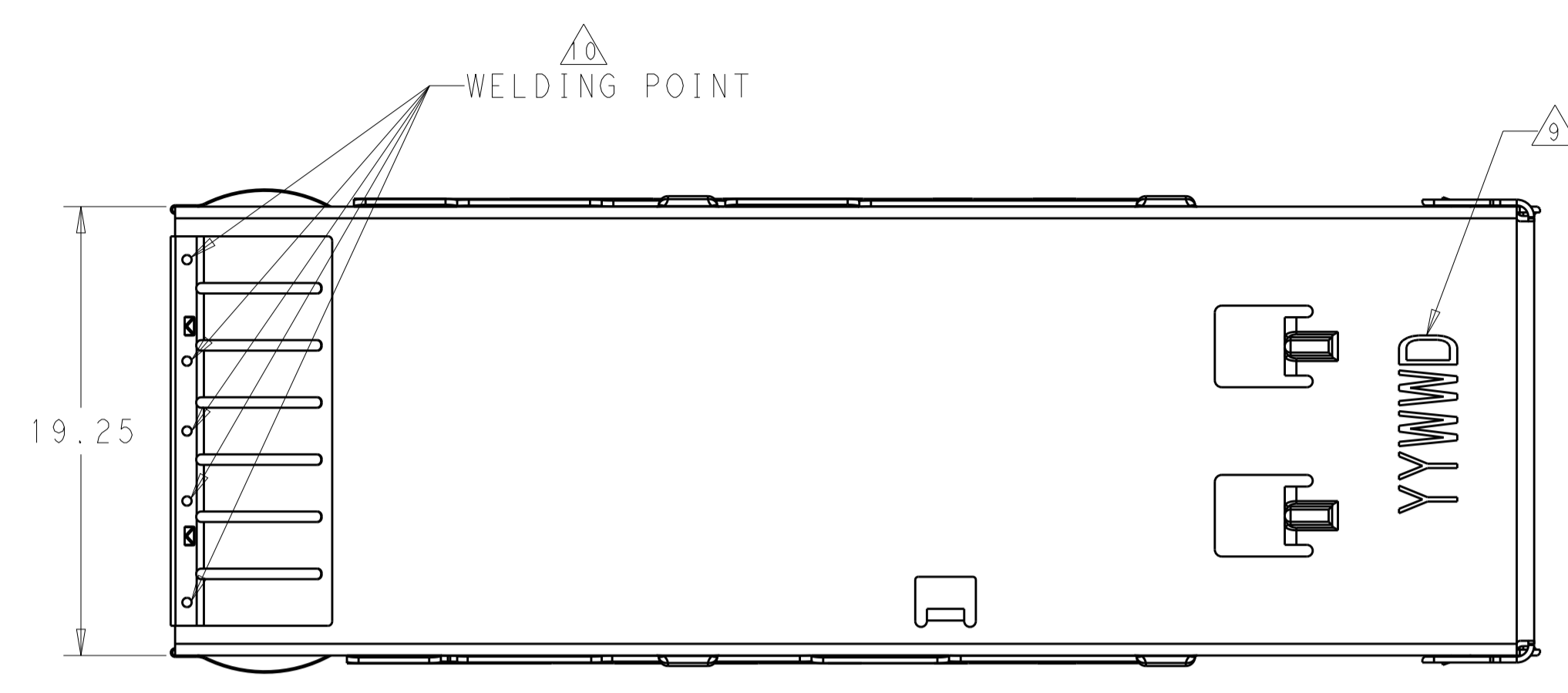
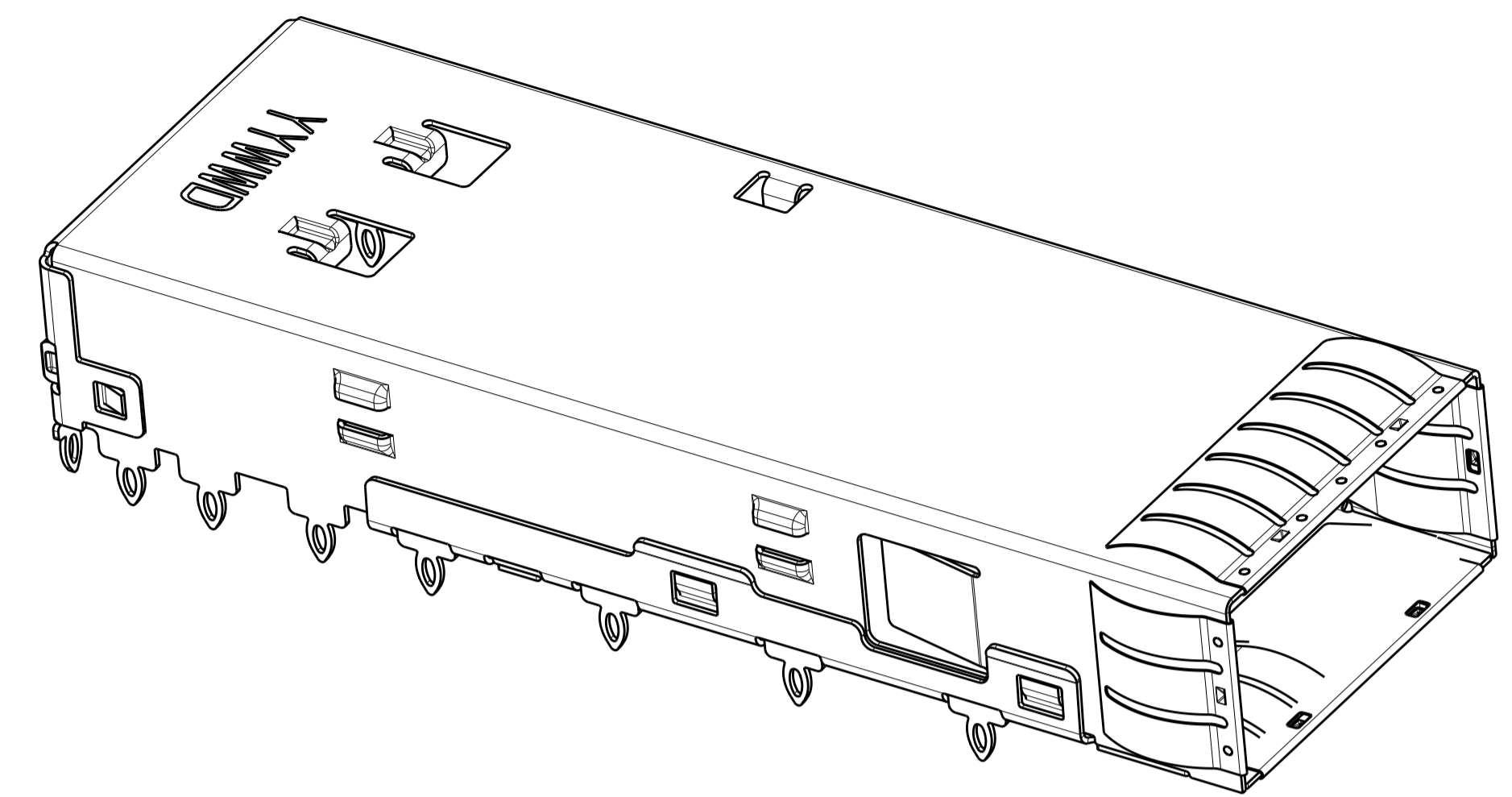
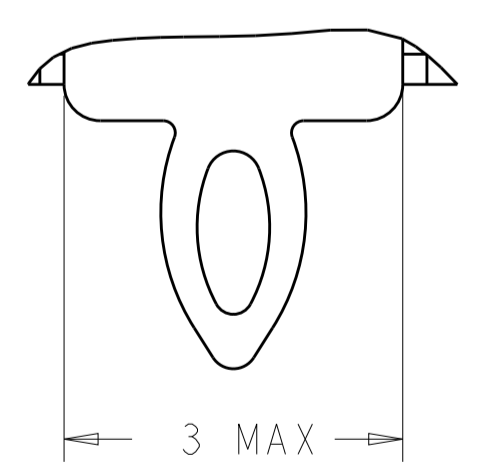
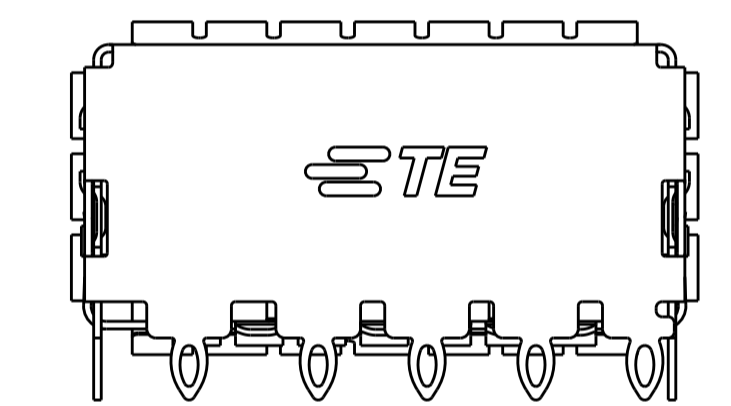
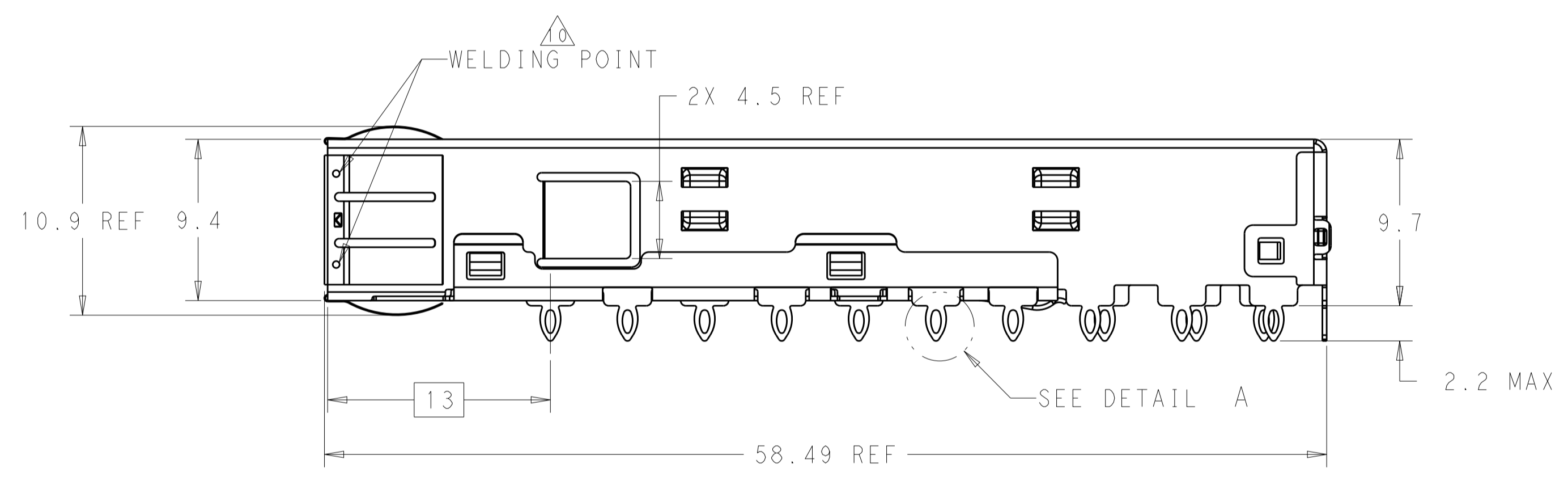
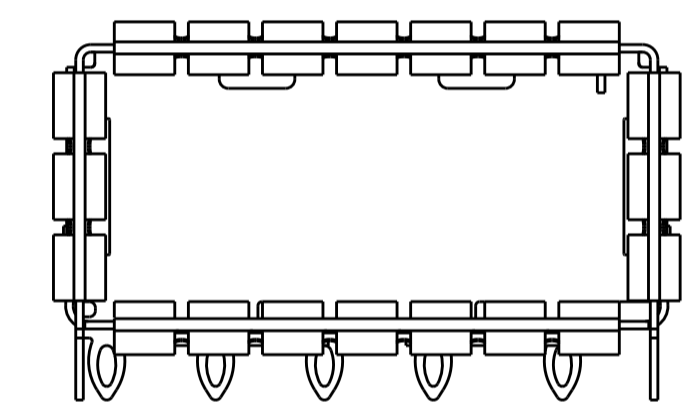


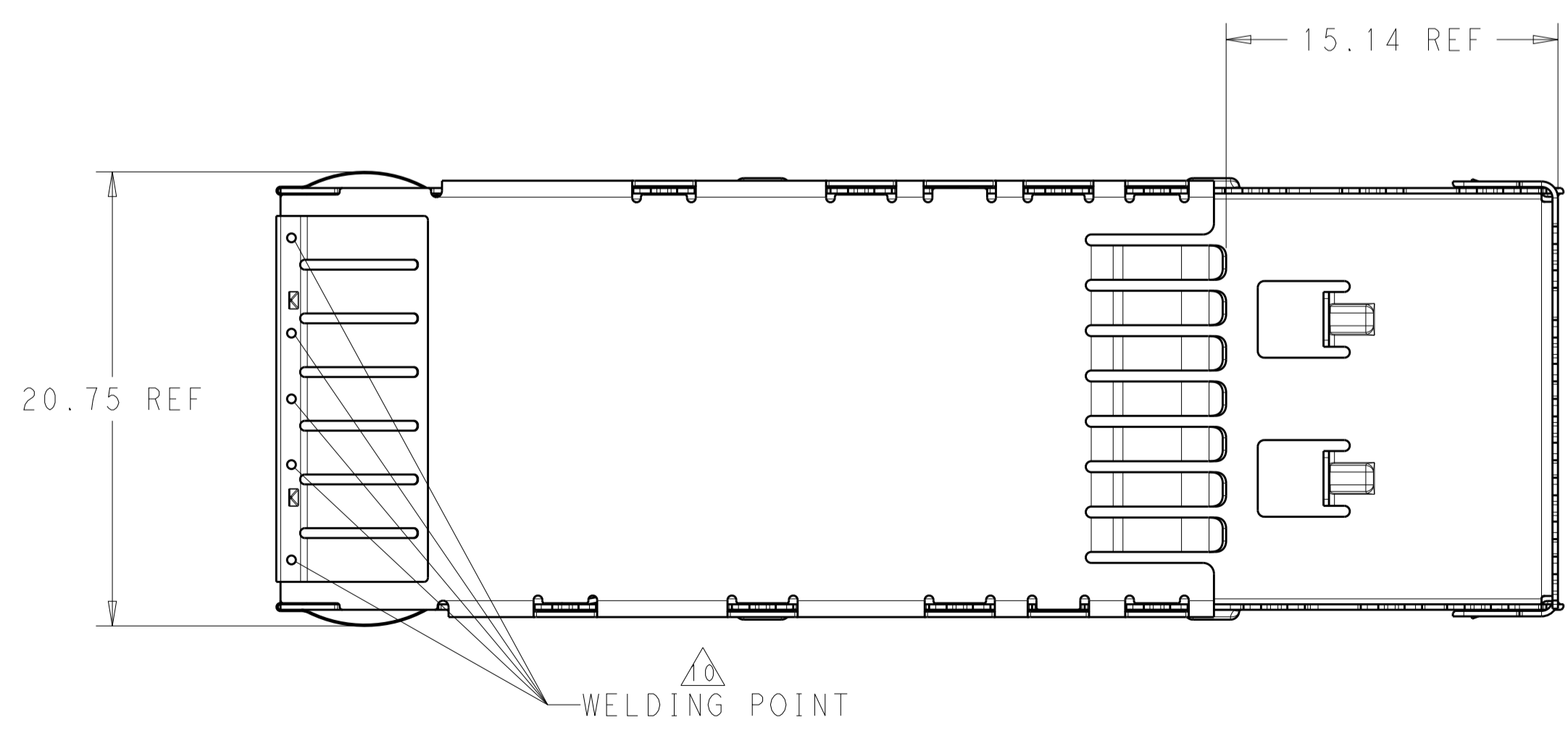
LOC	DIST	REVISIONS					
		P	LTN	DESCRIPTION	DATE	DWN	APVD
		A		RELEASE PER ECO-15-018552	31DEC2015	RG	SH
		B		REVISED PER ECO-17-010190	17JUL2017	RG	SH
		C		REVISED PER ECO-18-018915	17DEC2018	TX	SH



- △ CAGE MATERIAL : 0.25 mm THICK NICKEL SILVER. SPRING MATERIAL: COPPER ALLOY, NICKEL PLATING
- △ MINIMUM PITCH DIMENSION
- 3. MATES WITH QSFP MSA COMPATIBLE TRANSCEIVER.
- △ REFERENCE APPLICATION SPEC 114-13217 FOR RECOMMENDED DRILL HOLE DIAMETER AND PLATING THICKNESS.
- △ DATUM AND BASIC DIMENSIONS ESTABLISHED BY CUSTOMERS.
- 6. MINIMUM PC BOARD THICKNESS :
SINGLES SIDED: 1.45 mm MIN
DOUBLE SIDED: 2.2 mm MIN
- △ DATUM -A- IS TOP SURFACE OF THE HOST BOARD.
- △ SURFACE TRACES PERMITTED WITHIN THIS AREA EXCEPT WHERE CAGE STANDOFFS, SHOWN IN DETAIL J, CONTACT PC BOARD.
- △ DATE CODE (YYWWD) MARKED APPROXIMATELY AS SHOWN
- △ FIX EMI SPRING BY LASER WELDING.



DETAIL A
SCALE 16:1



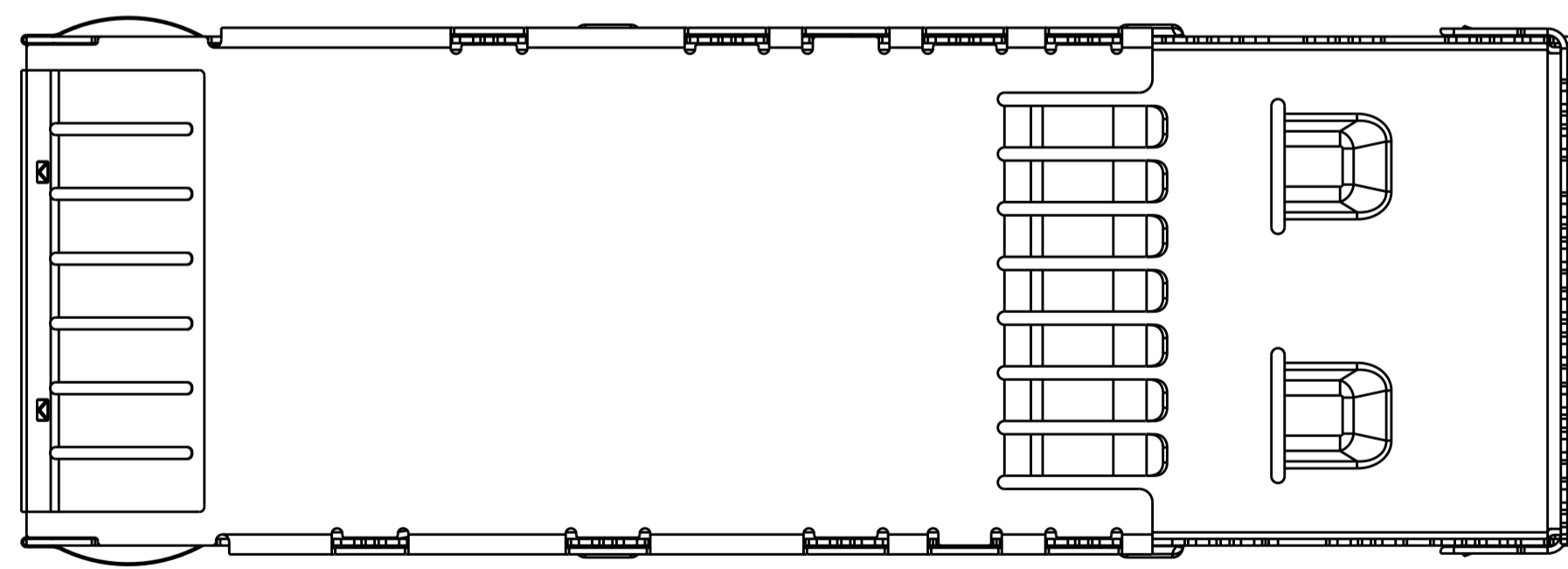
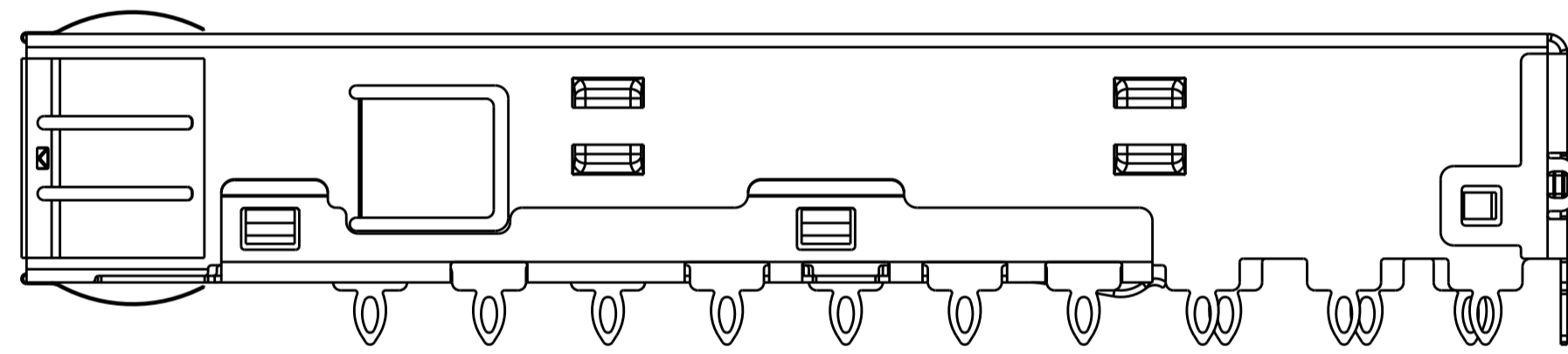
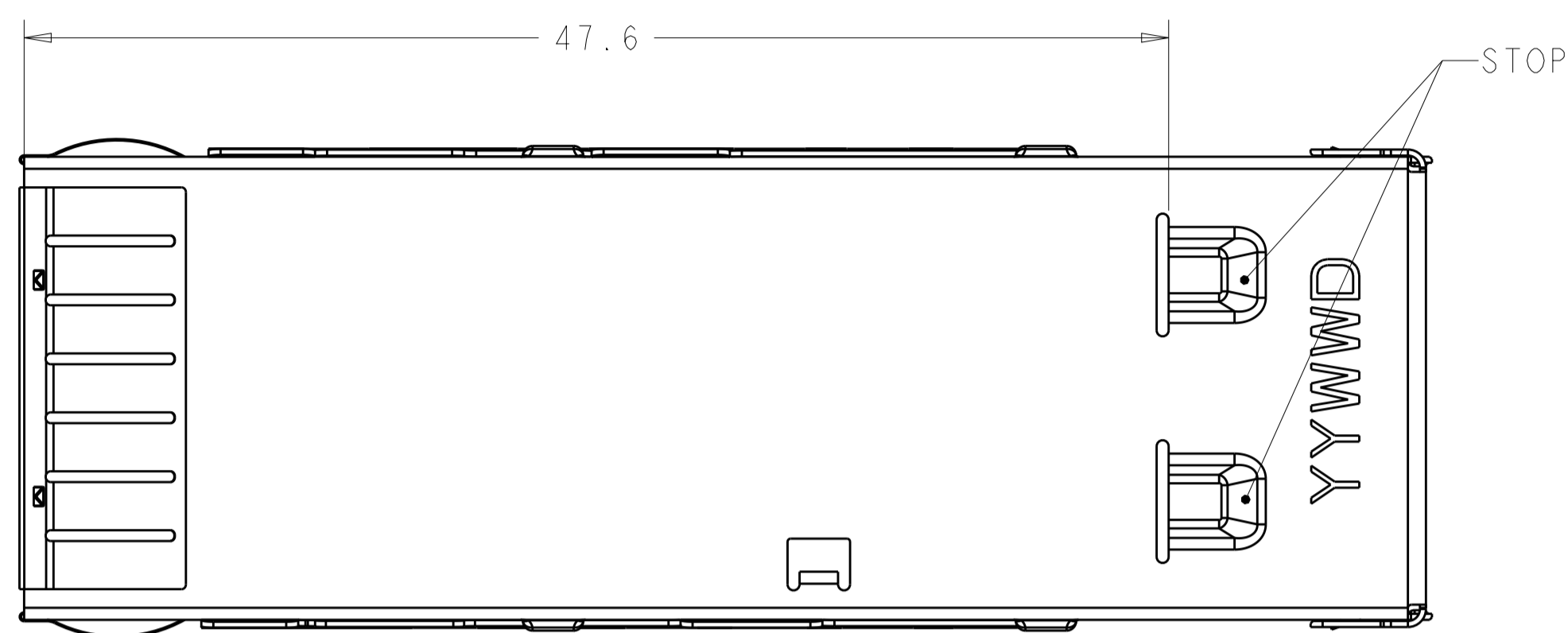
2170256-1 PART NUMBER

THIS DRAWING IS A CONTROLLED DOCUMENT.		OWN: RINSEN SUN 06FEB2012	TE Connectivity	
DIMENSIONS: mm		CHK: DENNY ZHU 06FEB2012		
TOLERANCES UNLESS OTHERWISE SPECIFIED:		APVD: ALEY CAI 06FEB2012	NAME: CAGE ASSEMBLY, THRU BEZEL 1X1 QSFP+	
0 PLC ±0.25		PRODUCT SPEC: 108-2286	SIZE: CAGE CODE DRAWING NO. RESTRICTED TO	
1 PLC ±0.25		APPLICATION SPEC: 114-13217	A100779C=2170256	
2 PLC ±0.10		WEIGHT: -	SCALE: 4:1 SHEET 1 OF 4 REV C	
3 PLC ±0.013		FINISH: -	CUSTOMER DRAWING	
4 PLC ±				
ANGLES				

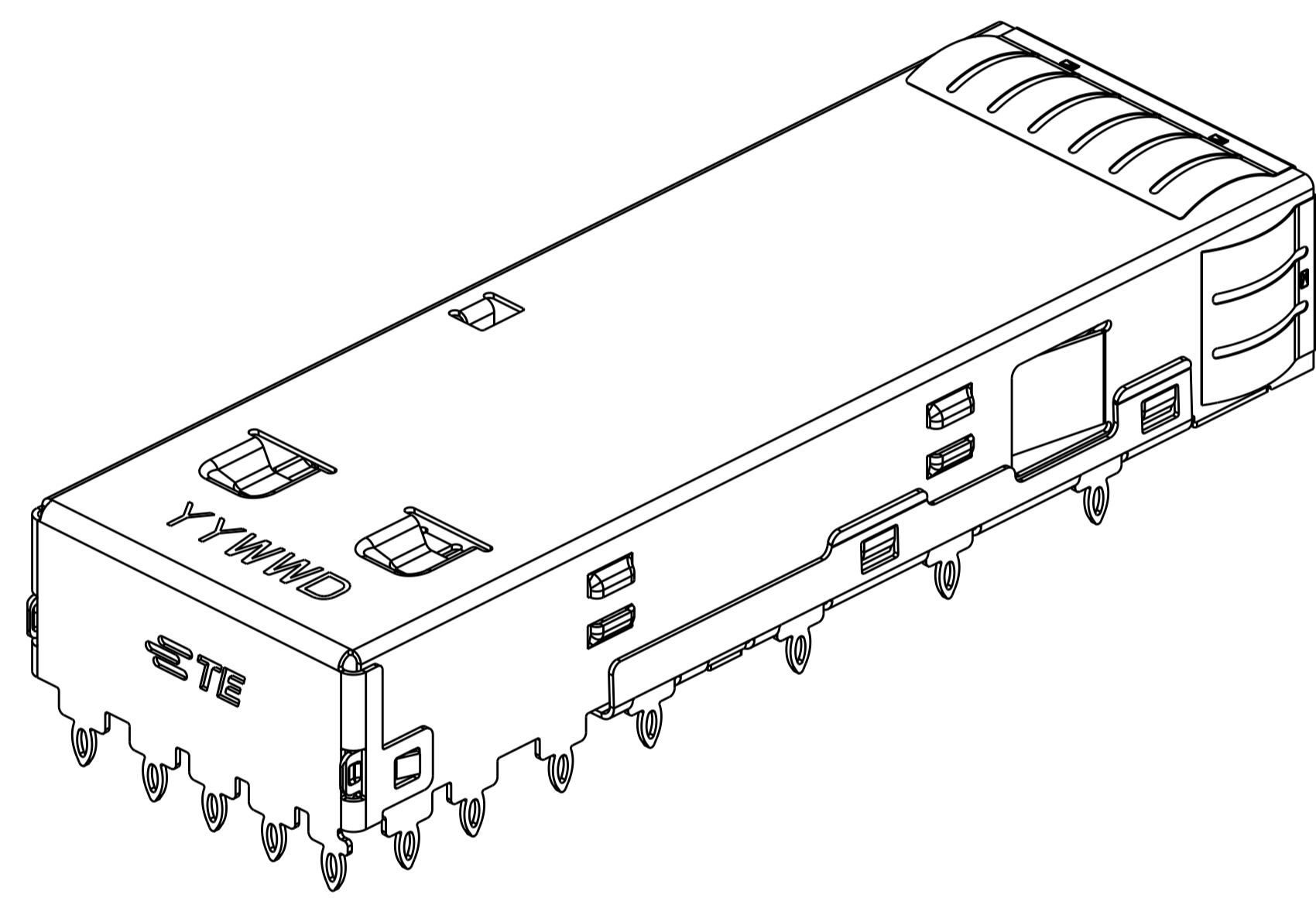
THIS DRAWING IS UNPUBLISHED. RELEASED FOR PUBLICATION. COPYRIGHT copyright_d81e- ALL RIGHTS RESERVED.

LOC		DIST		REVISIONS			
P	LTN	DESCRIPTION	DATE	DMN	APVD		
-	-	SEE SHEET 1	-	-	-		

1-2170256-1 BE SAME TO 2170256-1 EXCEPT STOP FEATURE AS SHOWN



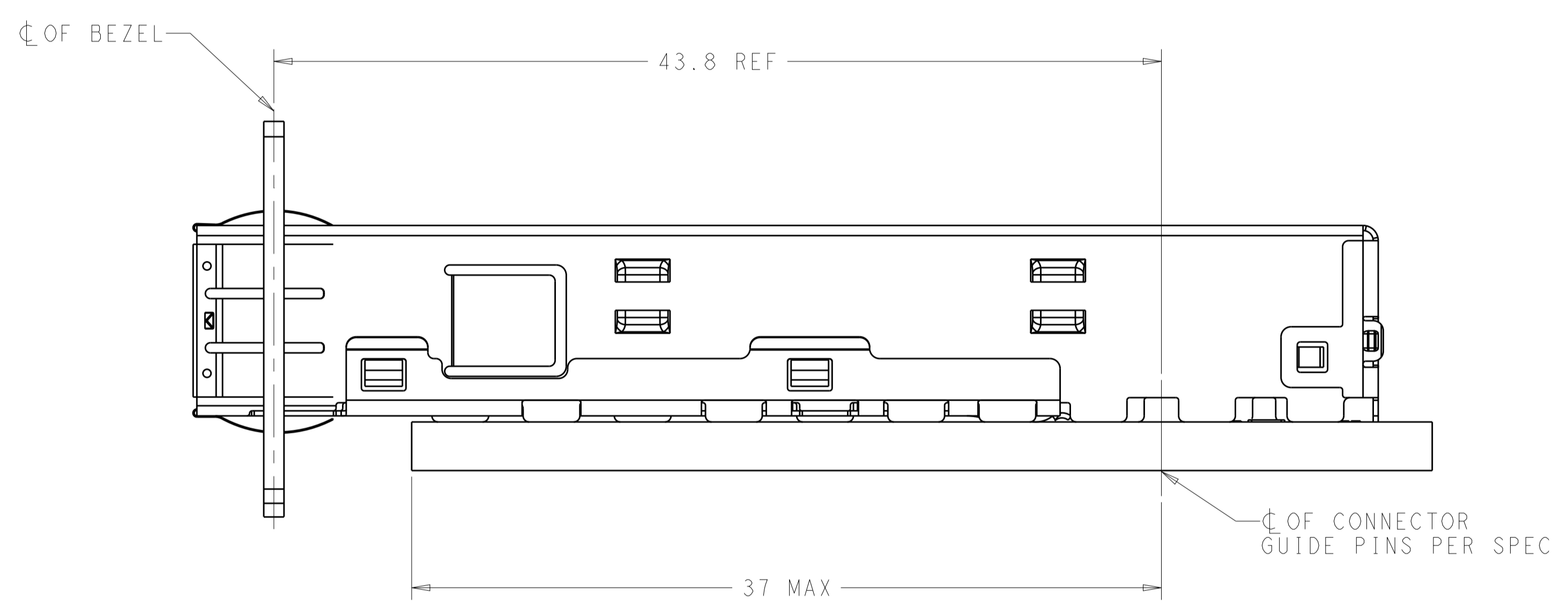
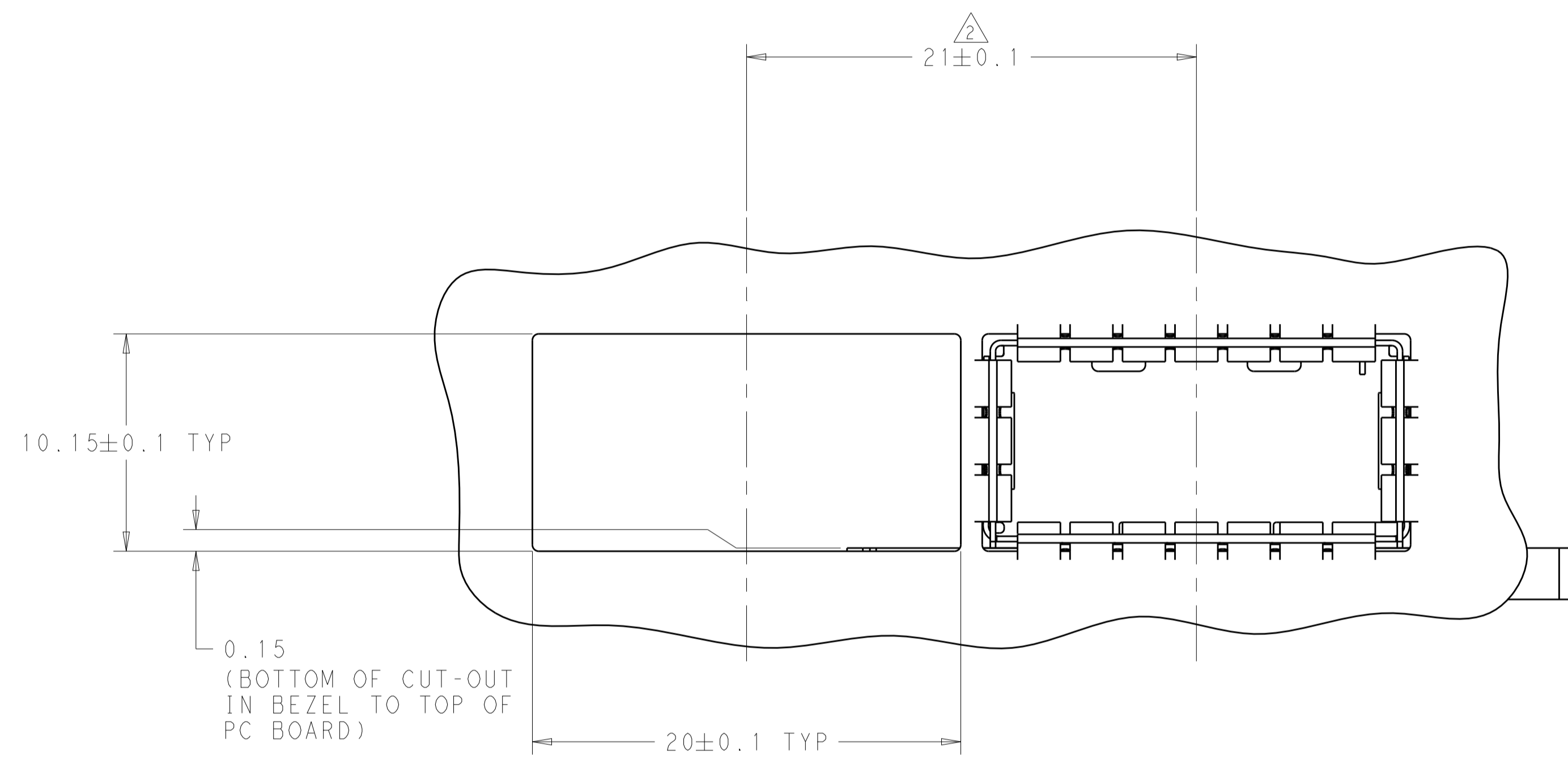
1-2170256-1 SCALE 4:1



1-2170256-1 SCALE 4:1

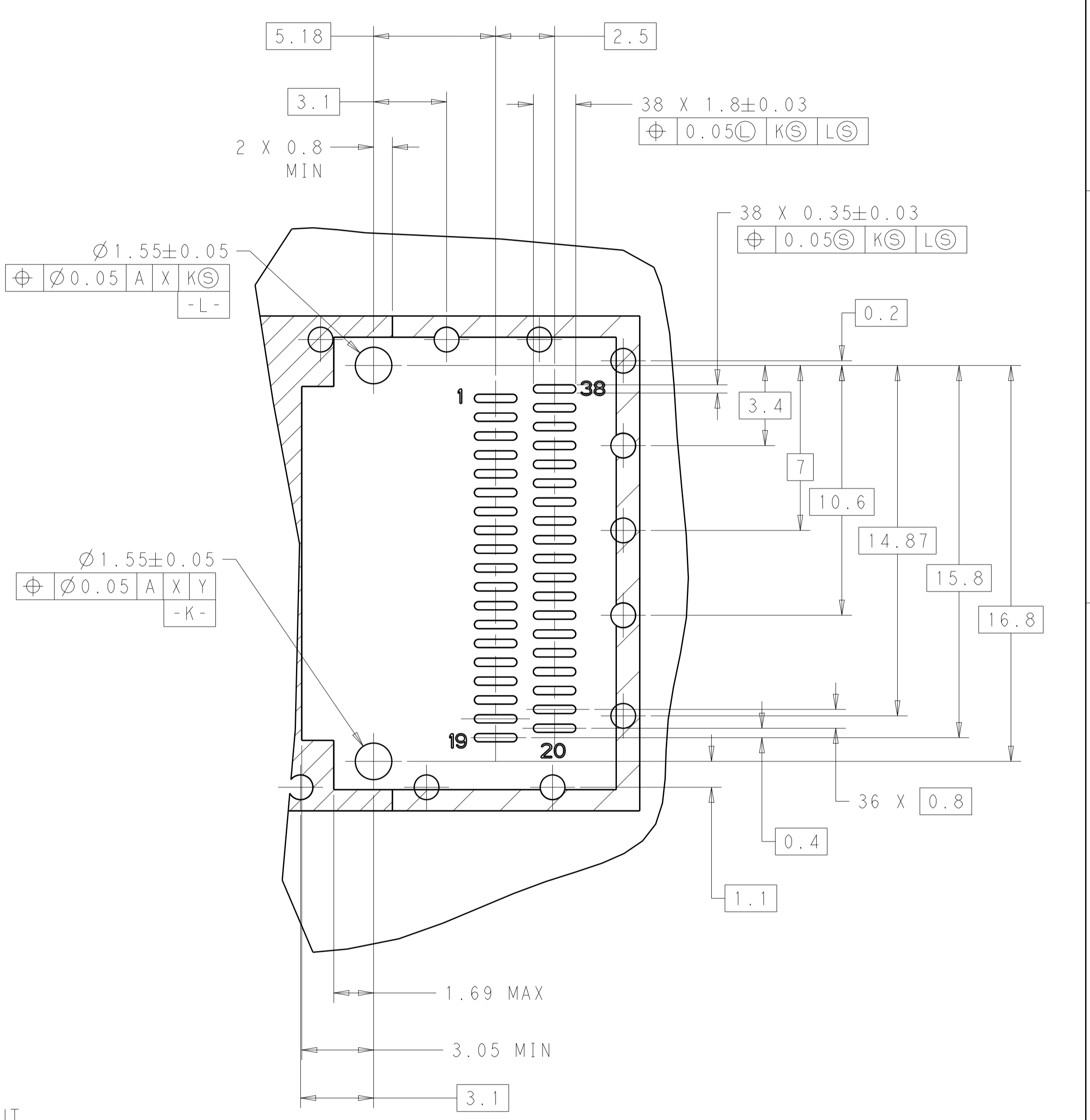
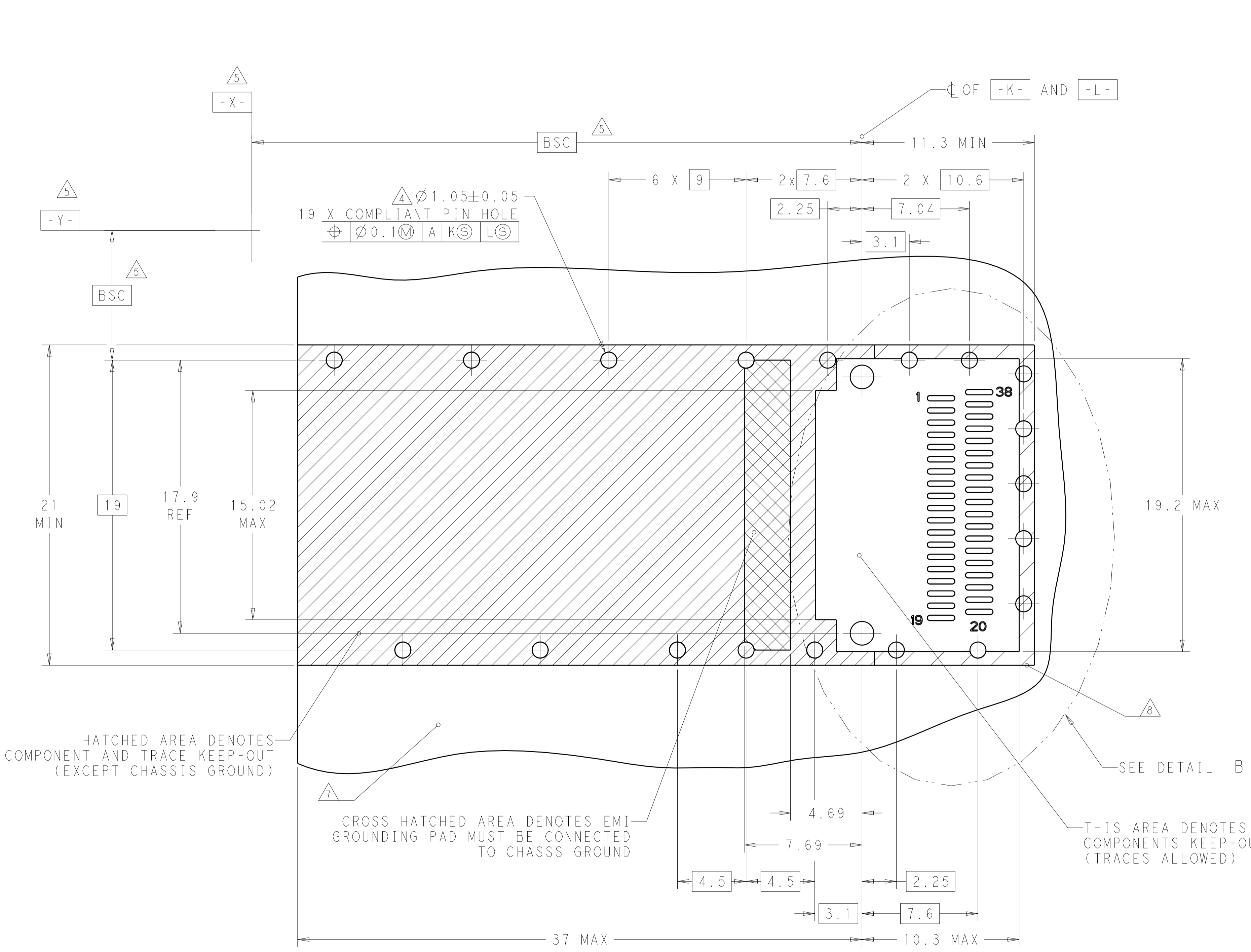
THIS DRAWING IS A CONTROLLED DOCUMENT.		DMN: KINSEN SUN 06FEB2012	TE Connectivity
DIMENSIONS: mm		CHK: DENNY ZHU 06FEB2012	
TOLERANCES UNLESS OTHERWISE SPECIFIED:		APVD: AILEY CAI 06FEB2012	NAME: CAGE ASSEMBLY, THRU BEZEL 1X1 QSFP+
0 PLC ±0.25	1 PLC ±0.25	PRODUCT SPEC: 108-2286	SIZE: A100779C=2170256
2 PLC ±0.10	3 PLC ±0.013	APPLICATION SPEC: 114-13217	RESTRICTED TO: -
4 PLC ±	ANGLES ±	WEIGHT: -	SCALE: 4:1 SHEET 2 OF 4 REV C
MATERIAL: -	FINISH: -	CUSTOMER DRAWING	

LOC		DIST		REVISIONS			
P	LTN	DESCRIPTION	DATE	DWN	APVD		
-	-	SEE SHEET 1	-	-	-		



THIS DRAWING IS A CONTROLLED DOCUMENT.		DWN KINSEN SUN CHK DENNY ZHU APVD ALEX CAI	06FEB2012 06FEB2012 06FEB2012	TE Connectivity
DIMENSIONS:		TOLERANCES UNLESS OTHERWISE SPECIFIED:		
mm	0 PLC ±0.25 1 PLC ±0.25 2 PLC ±0.10 3 PLC ±0.013 4 PLC ±	PRODUCT SPEC 108-2286 APPLICATION SPEC 114-13217		NAME CAGE ASSEMBLY, THRU BEZEL 1X1 QSFP+
MATERIAL		FINISH		SIZE A100779C=2170256
CUSTOMER DRAWING		WEIGHT		RESTRICTED TO
SCALE 2:1		SHEET 3 OF 4		REV C

LOC		DIST		REVISIONS			
P	LTN	DESCRIPTION	DATE	DMN	APVD		
-	-	SEE SHEET 1	-	-	-	-	-



DETAIL B
SCALE 7:1

THIS DRAWING IS A CONTROLLED DOCUMENT.		DMN RINSEN SUN 06FEB2012	TE Connectivity	
DIMENSIONS:		CHK DENNY ZHU 06FEB2012		
mm	TOLERANCES UNLESS OTHERWISE SPECIFIED:	APVD ALEX CAI 06FEB2012	NAME CAGE ASSEMBLY, THRU BEZEL 1X1 QSFP+	
ϕ 0 PLC \pm 0.25 1 PLC \pm 0.25 2 PLC \pm 0.10 3 PLC \pm 0.013 4 PLC \pm 0.013 ANGLES \pm °	MATERIAL FINISH	PRODUCT SPEC 108-2286 APPLICATION SPEC 114-13217 WEIGHT CUSTOMER DRAWING	SIZE A100779C=2170256	RESTRICTED TO SCALE 2:1 SHEET 4 OF 4 REV C