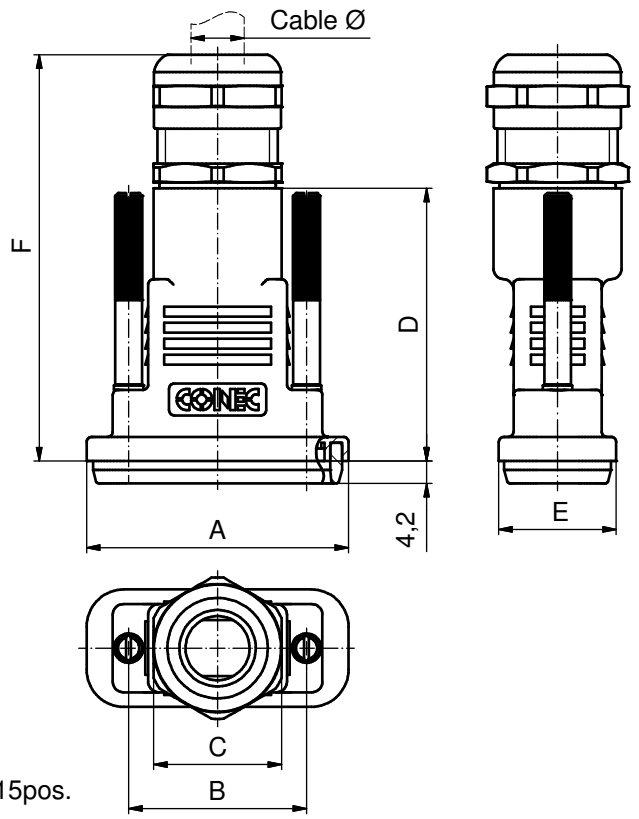
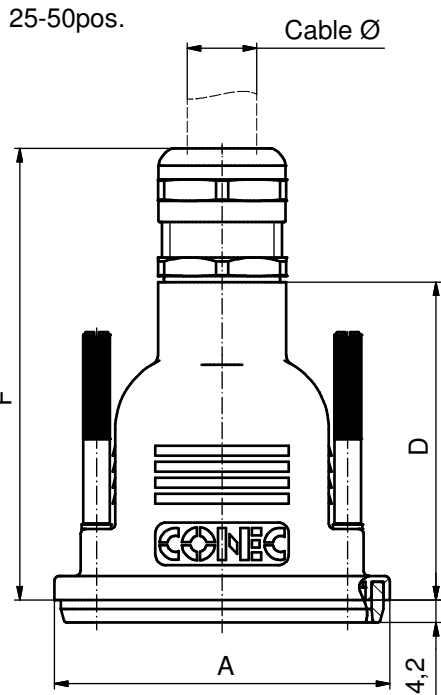


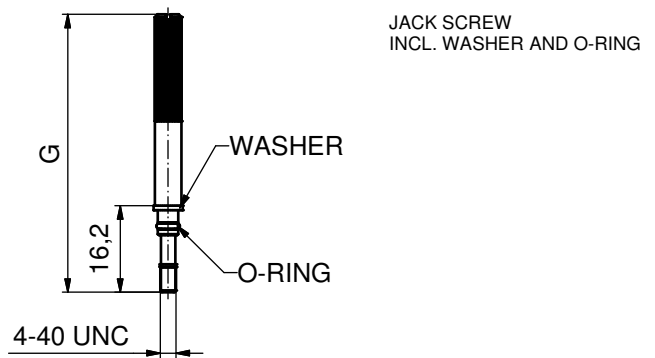
9pos.



15pos.

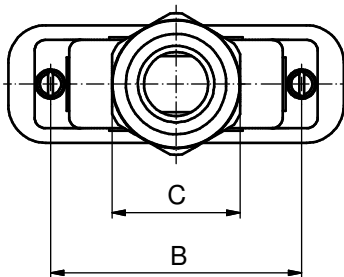


25-50pos.



JACK SCREW
INCL. WASHER AND O-RING

- NOTES:**
1. HOOD: ABS V0, METALLIZED
TEMPERATURE RANGE -30°C TO +90°C
 2. GLAND: BRASS; NICKEL PLATED
TEMPERATURE RANGE -30°C TO +90°C
 3. FRONTSEALING: TPE UL 94 V0
TEMPERATURE RANGE -30°C TO +90°C
 4. O-RING FOR GLAND: NBR
TEMPERATURE RANGE -30°C TO +90°C
 5. JACK SCREW: STAINLESS STEEL
RECOMMENDED TORQUE: 30 Ncm
 6. WASHER: STAINLESS STEEL
 7. O-RING FOR JACK SCREW: NBR
TEMPERATURE RANGE -30°C TO +90°C



Shell-size	A	B	C	D	E	F	G	Cable Ø	RECOMMENDED TORQUE FOR PG-GLAND (d)	Part No. Bulk package	Part No. Single package (c)
1	40.76	25.0	SW 20	51.0	22.0	77.0	44.0	5 - 10	3,0 Nm	165X15019X	165X15019XE
2	49.06	33.3	SW 24	51.0	22.0	79.0	52.0	7 - 12	6,0 Nm	165X15029X	165X15029XE
3	62.80	47.04	SW 24	59.5	22.0	87.5	52.0	7 - 12	6,0 Nm	165X15039X	165X15039XE
4	78.86	63.5	SW 30	67.0	22.0	99.0	52.0	9 - 16	8,0 Nm	165X15049X	165X15049XE
5	76.46	61.1	SW 40	67.0	24.8	107.0	52.0	13 - 20	10,0 Nm	165X15059X	165X15059XE

Directive 2002/95/EC RoHS compliant

THIS DRAWING MAY NOT BE COPIED OR REPRODUCED IN ANY WAY, AND MAY NOT BE PASSED ON TO A THIRD PARTY WITHOUT WRITTEN PERMISSION. OWNERSHIP AND COPYRIGHT OF CONEC GmbH

DO NOT ALTER CAD DRAWING BY HAND

rev.	description	date	name	tolerance	dim. in mm
1 x d	Ä4221	14.02.2012	K.H.	norm	
2 x e	Ä3781	21.10.2010	K.H.	d-old	
2 x b	Ä3353	29.04.2009	Lehmen		
a	Original				

scale:	1:1
material:	SEE NOTES
title:	WATER RESISTANT D-SUB HOOD 9-50pos. with jack screws
dwg no:	16K1A1115
part no:	SEE TABLE
DIN-A3	sh: 1

