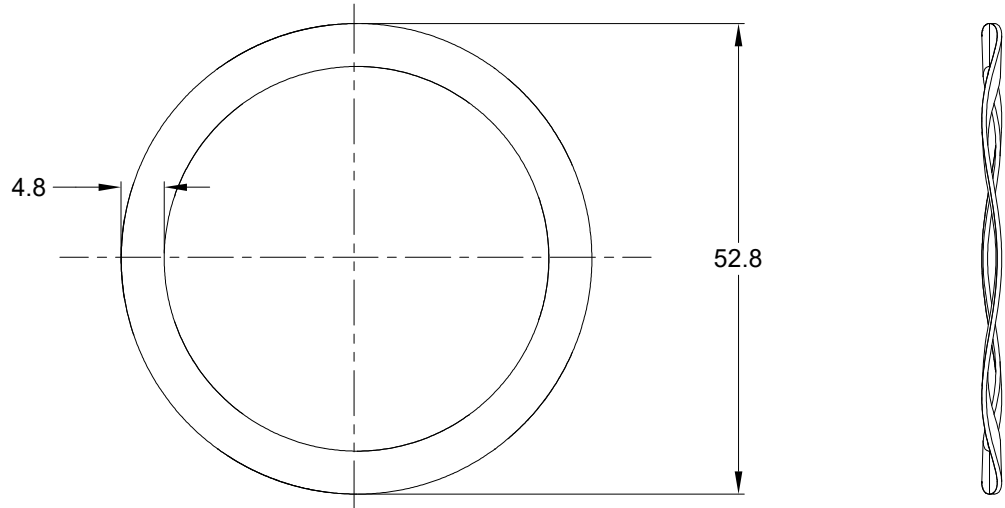


REVISIONS					
REV	ECO	DESCRIPTION	DATE	BY	APPR
A1		RELEASE NEW PRODUCT	10AUG15	ORION	TOMMY
A2		ADD PLATING IN NOTE	14SEP21	ORION	TOMMY



NOTES: UNLESS OTHERWISE SPECIFIED

1. MATERIAL: 0.52MM STEEL; NICKEL PLATED.
2. RoHS COMPLIANT.
3. USE WITH AHDP SERIES SIZE 24 RECEPTACLE.
4. ALL DIMENSIONS ARE FOR REFERENCE USE ONLY.

AT14-001-2486		REF: 2414-001-2486									
PART NUMBER		DESCRIPTION									
QUANTITY	MATERIALS LIST			ITEM							
UNLESS OTHERWISE SPECIFIED 1) All dimensions are in metric(mm). 2) Tolerances are as follows: 1 PL DEC ±0.30 Fractions ±1/64 2 PL DEC ±0.15 Angles ±1° 3 PL DEC ±0.08 3) Note reference =		SIGNATURES DATE DRAWN: ORION.LI 14SEP21 CHECKED: ORION.LI 14SEP21 ENGINEER: APPROVAL: TOMMY.XIE 14SEP21 CUSTOMER:		<h1 style="text-align: center;">Amphenol</h1> <hr/> Sine Systems - www.amphenol-sine.com 44724 Morley Drive Clinton Township, MI 48036							
MATERIAL SPECIFICATIONS:		THIS DRAWING IS SUPPLIED FOR INFORMATION ONLY. DESIGN FEATURES, SPECIFICATIONS AND PERFORMANCE DATA SHOWN HEREON ARE THE PROPERTY OF THE AMPHENOL CORPORATION. NO RIGHTS OF REPRODUCTION ARE IMPLIED. ALL DIMENSIONS ARE SUBJECT TO NORMAL MANUFACTURING VARIATIONS.									
PROCESS SPECIFICATIONS:		<table border="1"> <tr> <td>SIZE</td> <td>TYPE</td> <td>DWG NO:</td> <td>REVISION</td> </tr> <tr> <td>A</td> <td>C-</td> <td>AT14-001-2486</td> <td>A2</td> </tr> </table>		SIZE	TYPE	DWG NO:	REVISION	A	C-	AT14-001-2486	A2
SIZE	TYPE	DWG NO:	REVISION								
A	C-	AT14-001-2486	A2								
NEXT ASSY:		SCALE: NONE SHEET 1 OF 1									

Amphenol

Sine Systems - www.amphenol-sine.com
44724 Morley Drive
Clinton Township, MI 48036

LOCK WASHER, SIZE 24, AHDP SERIES