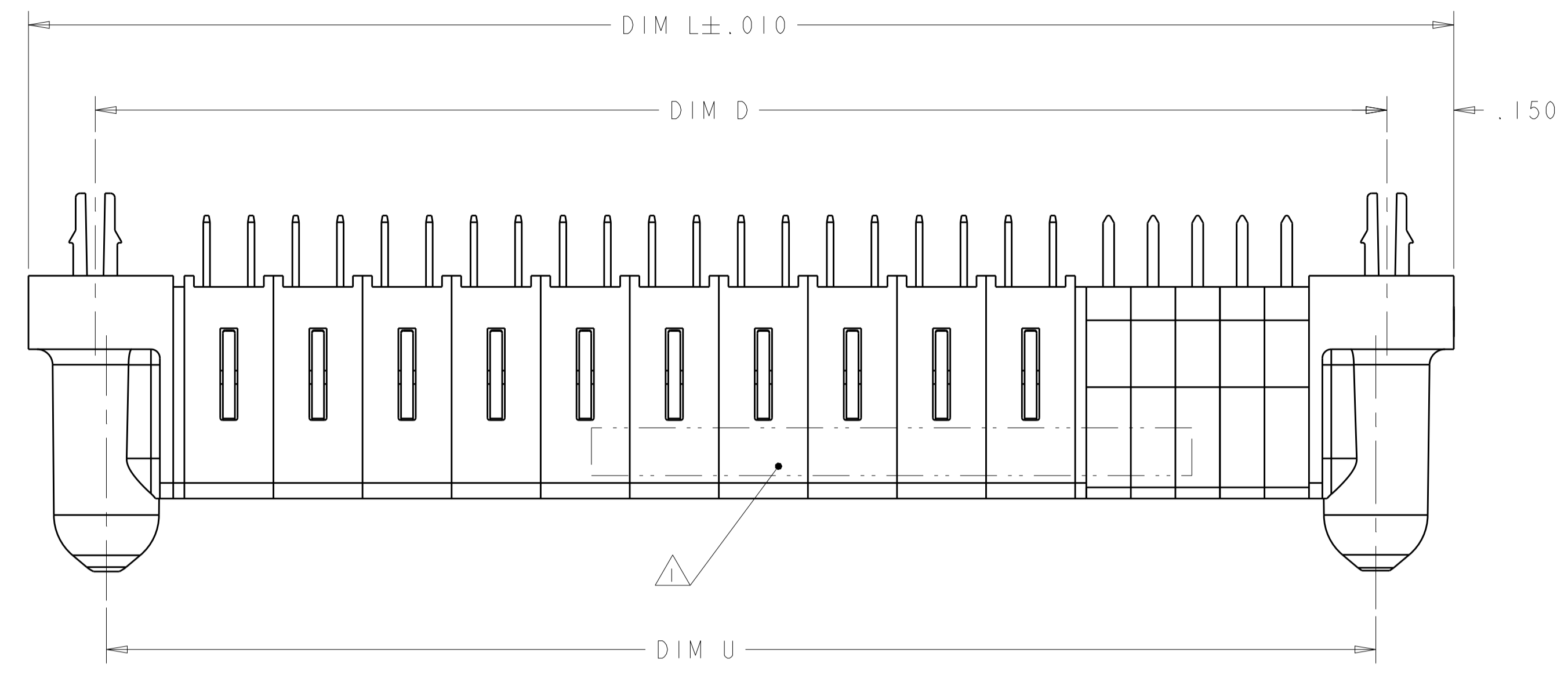
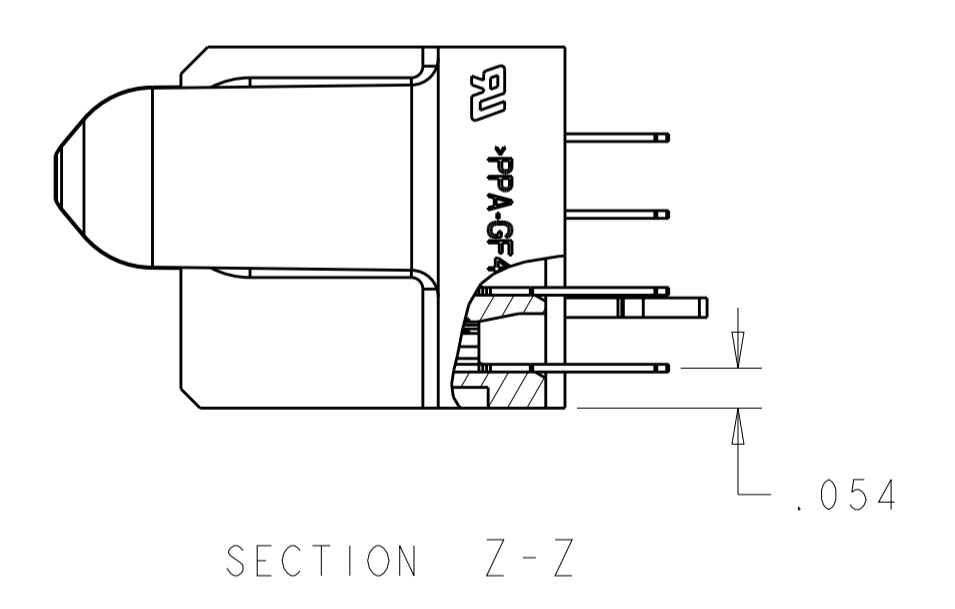
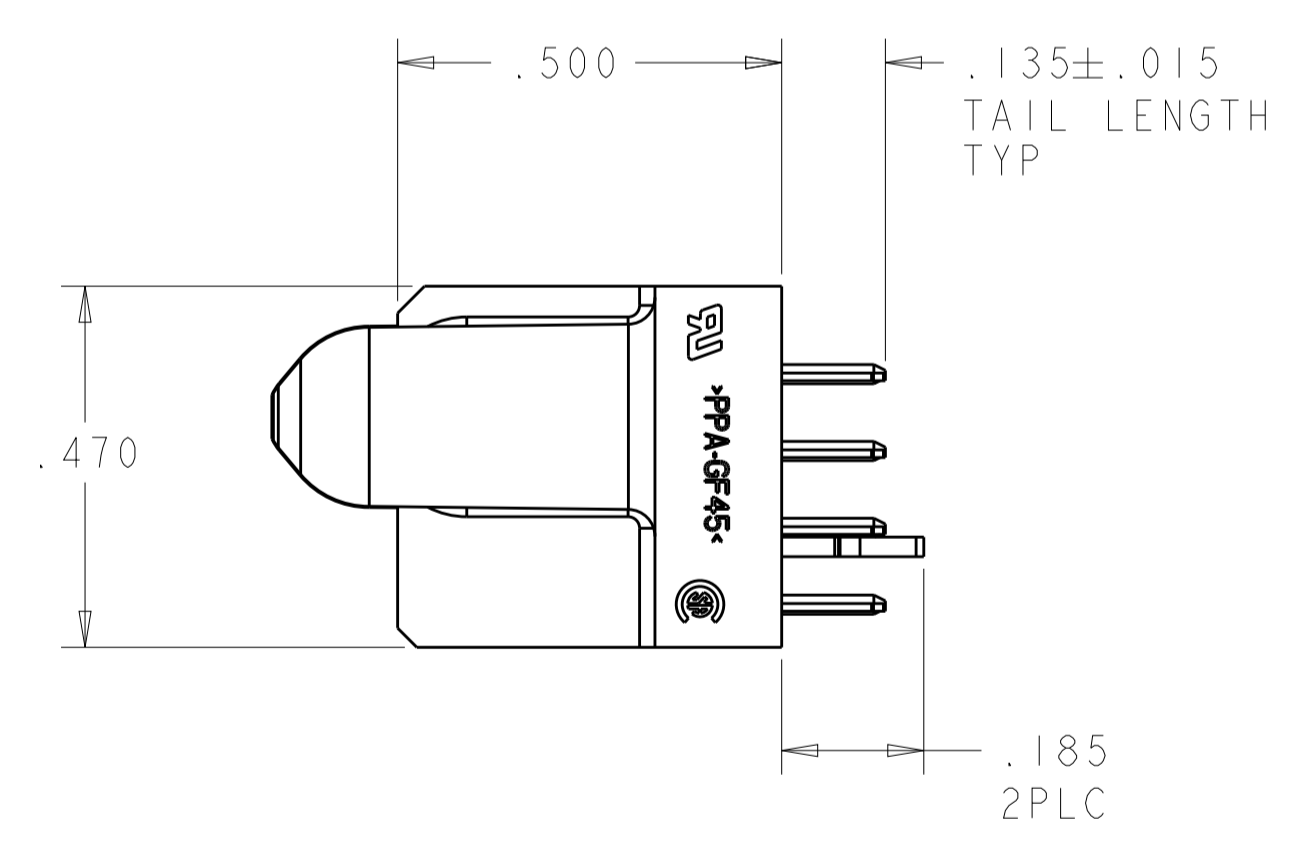
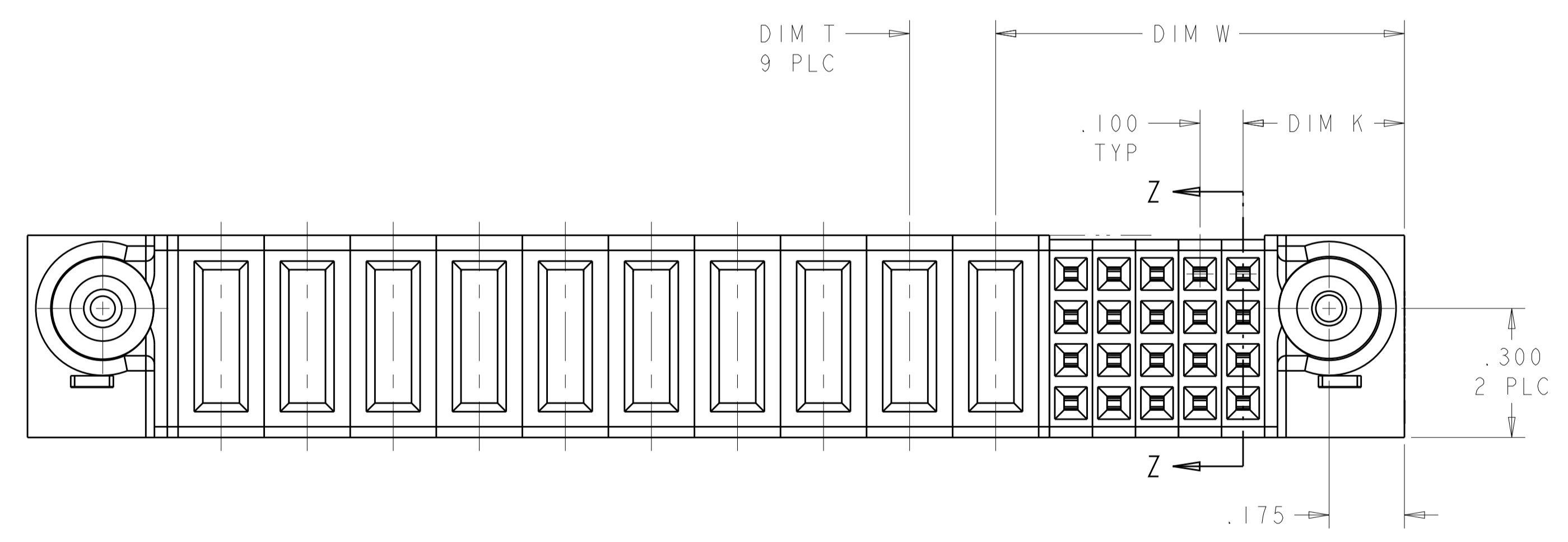


LOC		DIST		REVISIONS			
P	LTN	DESCRIPTION	DATE	DMN	APVD		
	C2	ADD NEW DASH NUMBER - 4	23DEC2011	LW	SZ		
	C3	ADVISED	16FEB2013	ML	SZ		
	C4	ADD NEW DASH NUMBER 1-4	04JUN2013	CZ	SZ		
	C5	ADD NEW DASH NUMBER 1-5	23DEC2014	CZ	SZ		



- 1 "AMP", PART NUMBER, AND DATE CODE TO BE MARKED IN AREA SHOWN
- 2 MATERIAL: HOUSING - GLASS FILLED HIGH TEMP THERMO PLASTIC, UL94 V-0  
 SIGNAL CONTACT - HIGH CONDUCTIVITY COPPER ALLOY  
 POWER CONTACT - HIGH CONDUCTIVITY COPPER ALLOY
- 3 CONTACT PLATING: NOBLE METAL PLATING ON CONTACT FUNCTIONAL AREA OF POWER AND SIGNAL CONTACTS
- 4 MECHANICAL CONNECTOR KEEP OUT ZONE
- 5 DATUM AND BASIC DIMENSIONS ESTABLISHED BY CUSTOMER
- 6 PCB - ALL HOLE DIAMETERS ARE FINISHED HOLE SIZES
- 7 PCB - .0453±.0010 DRILLED HOLES PLATED WITH .0003 MIN Sn OVER .001 TO .003 CU PLATING TO ACHIEVE A .040±.003 DIA HOLE




THIS DRAWING IS A CONTROLLED DOCUMENT.		DMN C. ZHOU	26APR2007	TE Connectivity	
DIMENSIONS: INCHES		CHK S. ZHAO	APVD		
TOLERANCES UNLESS OTHERWISE SPECIFIED:		PRODUCT SPEC		RESTRICTED TO	
0 PLC ± 1 PLC ±.01 2 PLC ±.01 3 PLC ±.005 4 PLC ±.0020 ANGLES ±.7°		APPLICATION SPEC		SIZE CAGE CODE DRAWING NO	
MATERIAL		WEIGHT		A100779C=6450141	
FINISH		SCALE 4:1		SHEET 1 OF 11 REV C5	

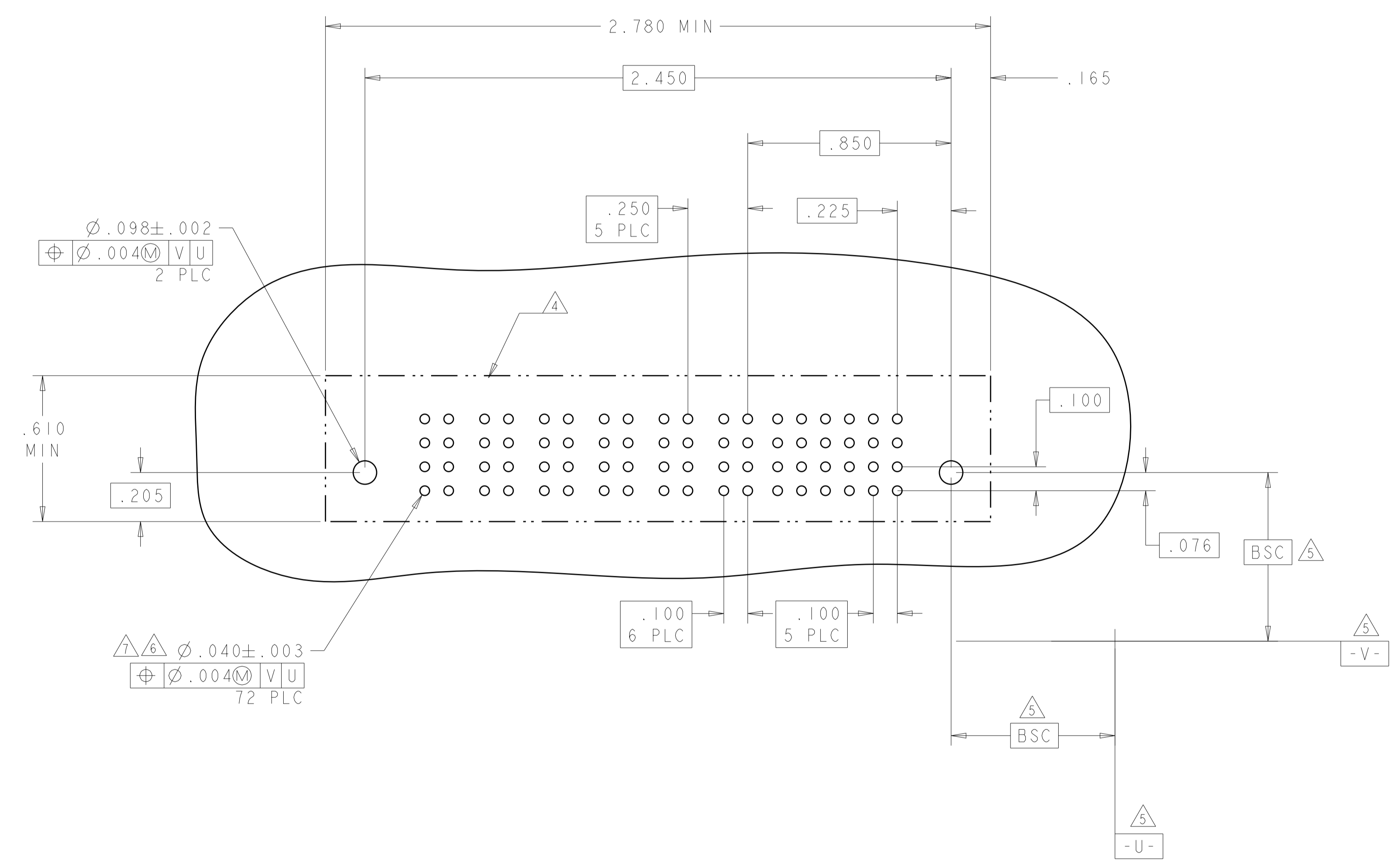
THIS DRAWING IS UNPUBLISHED. RELEASED FOR PUBLICATION 20  
 © COPYRIGHT 20 ALL RIGHTS RESERVED.

LOC		DIST		REVISIONS			
ES	00	P	LTN	DESCRIPTION	DATE	DWN	APVD

.850	-	.800	-	1.150	.375	20S	1-6450141-5
2.700	.250	2.650	1.050	3.000	.375	24S + 7P	1-6450141-4
2.050	-	2.000	-	2.350	.375	68S	1-6450141-2
3.375	-	3.325	-	3.675	.400	120S	1-6450141-1
2.700	.250	2.650	1.050	3.000	.375	24S + 7P	6450141-9
2.550	.250	2.500	1.650	2.850	.375	48S + 4P	6450141-8
4.450	.250	4.400	1.050	4.750	.375	24S + 14P	6450141-7
2.900	.200	2.850	.950	3.200	.375	20S + 10HDP	6450141-6
2.950	.250	2.900	1.050	3.250	.375	24S + 8P	6450141-4
2.450	.250	2.400	1.050	2.750	.375	24S + 6P	6450141-2
DIM D	DIM T	DIM U	DIM W	DIM L	DIM K	DESCRIPTION	PART NUMBER

THIS DRAWING IS A CONTROLLED DOCUMENT.		DWN	C. ZHOU	26APR200		TE Connectivity	
DIMENSIONS: INCHES		CHK	S. ZHAO	APVD		NAME: VERTICAL RECEPTACLE ASSEMBLY WITH GUIDES MULTI-BEAM XL	
TOLERANCES UNLESS OTHERWISE SPECIFIED:		PRODUCT SPEC		APPLICATION SPEC		RESTRICTED TO	
0 PLC ± .		108-1973		114-13038		SIZE: A1	
1 PLC ± .01		APPLICATION SPEC		114-13038		CAGE CODE: 6450141	
2 PLC ± .005		WEIGHT		-		SCALE: 4:1	
3 PLC ± .0020		MATERIAL		-		SHEET 2 OF 1	
ANGLES ± °		FINISH		-		REV C5	

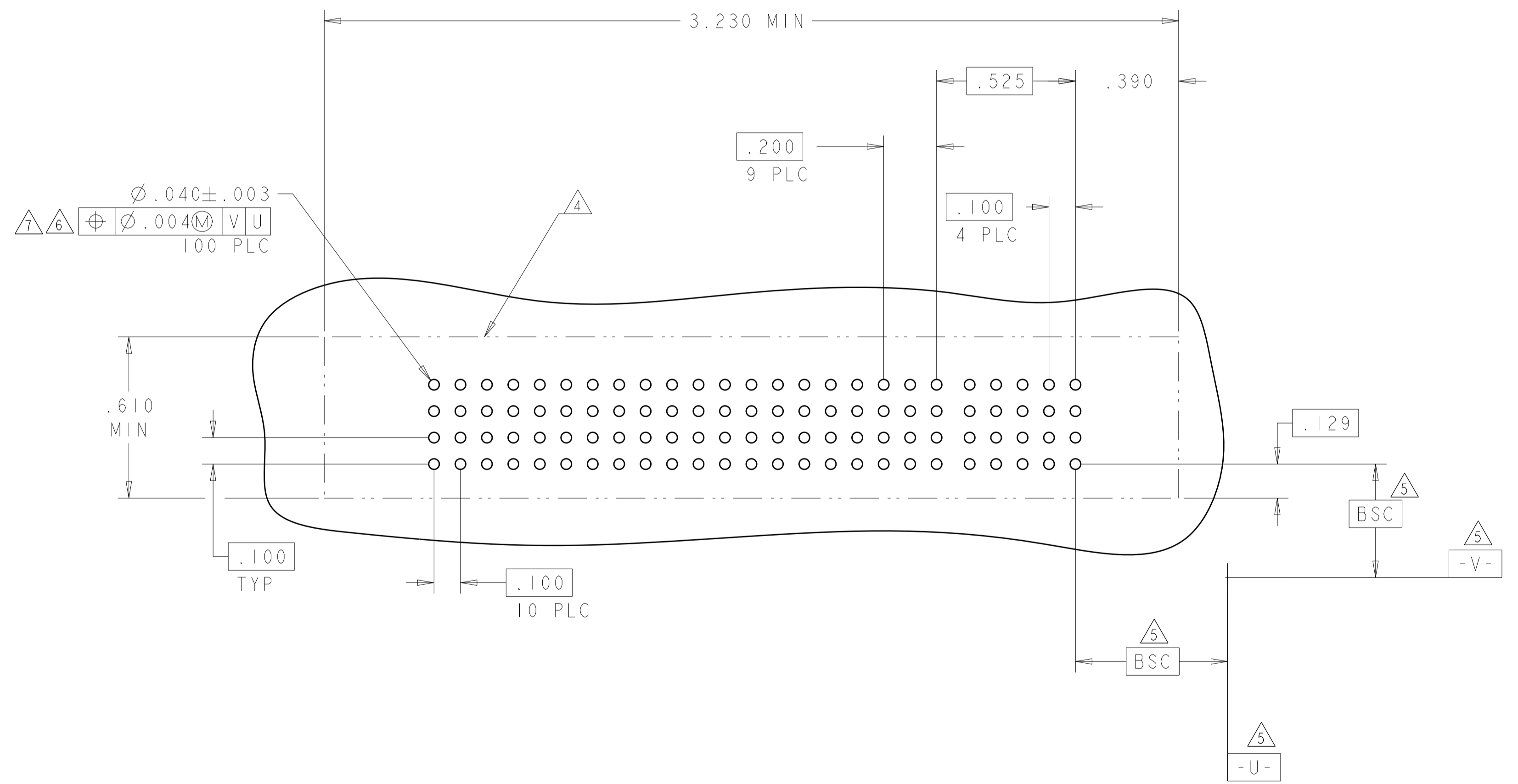
PART NUMBER	ROWS	POWER						SIGNAL					
		P6	P5	P4	P3	P2	P1	6	5	4	3	2	1
6450141-2	D							E	E	E	E	E	E
	C	VM	VM	VM	VM	VM	VM	E	E	E	E	E	E
	B							E	E	E	E	E	E
	A	HD						E	E	E	E	E	E
24S + 6P													



E	SIGNAL CONTACT	-
VA	POWER CONTACT, MFBL	-
VM	POWER CONTACT, STD	-
CODE	DESCRIPTION	ROW
CONTACTS		

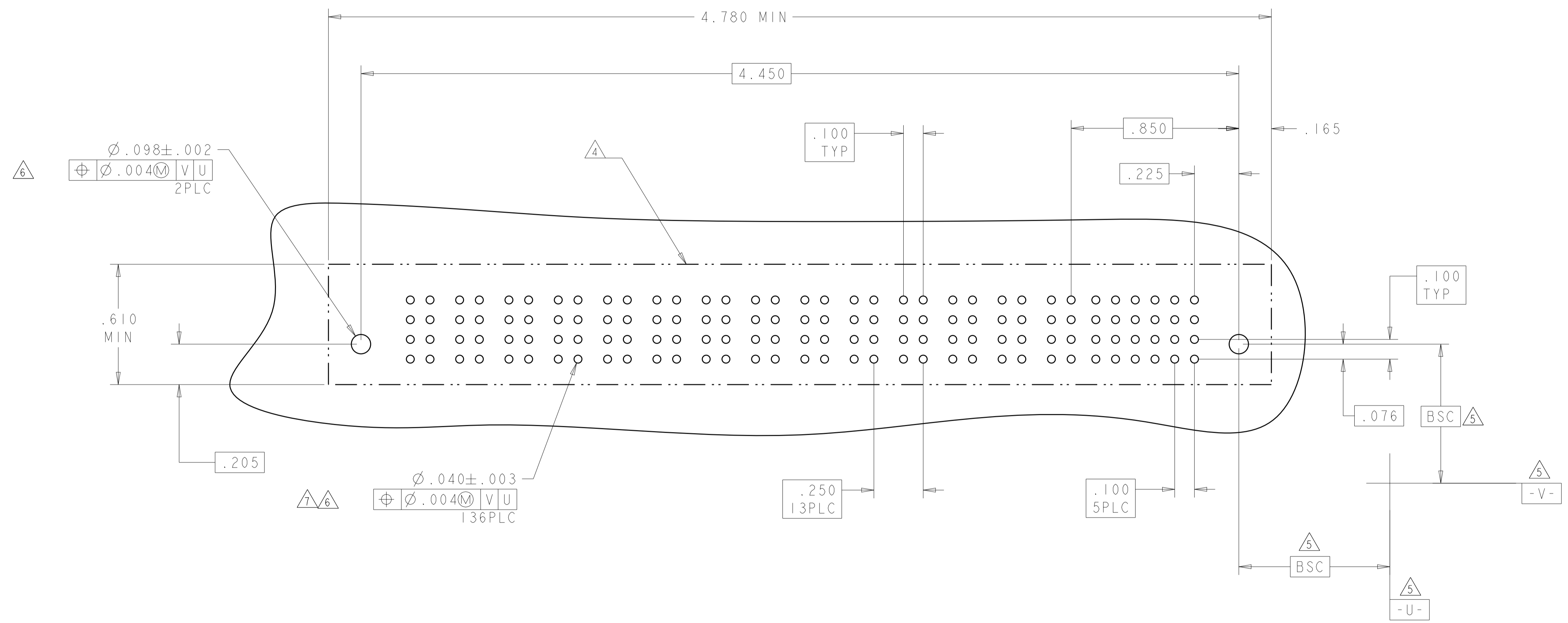
THIS DRAWING IS A CONTROLLED DOCUMENT.		DWN C. ZHOU	26APR2007
DIMENSIONS: INCHES		CHK S. ZHAO	APVD
TOLERANCES UNLESS OTHERWISE SPECIFIED:		PRODUCT SPEC	
0 PLC ± 1 PLC ±.01 2 PLC ±.01 3 PLC ±.005 4 PLC ±.0020 ANGLES ±.2°		APPLICATION SPEC	
MATERIAL	FINISH	114-13038	WEIGHT
CUSTOMER DRAWING		SIZE A100779	DRAWING NO C=6450141
SCALE 4:1		SHEET 3	OF 11
REV C5			

ASSY PART NUMBER	ROWS	POWER										SIGNAL						
		P10	P9	P8	P7	P6	P5	P4	P3	P2	P1	5	4	3	2	1		
6450141-6	D C B A	VM	VM	VM	VM	VM	VM	VM	VM	VM	VM	E	E	E	E	E		
		VM	VM	VM	VM	VM	VM	VM	VM	VM	E	E	E	E	E			
		VM	VM	VM	VM	VM	VM	VM	VM	VM	E	E	E	E	E			
20S + 10HDP																		



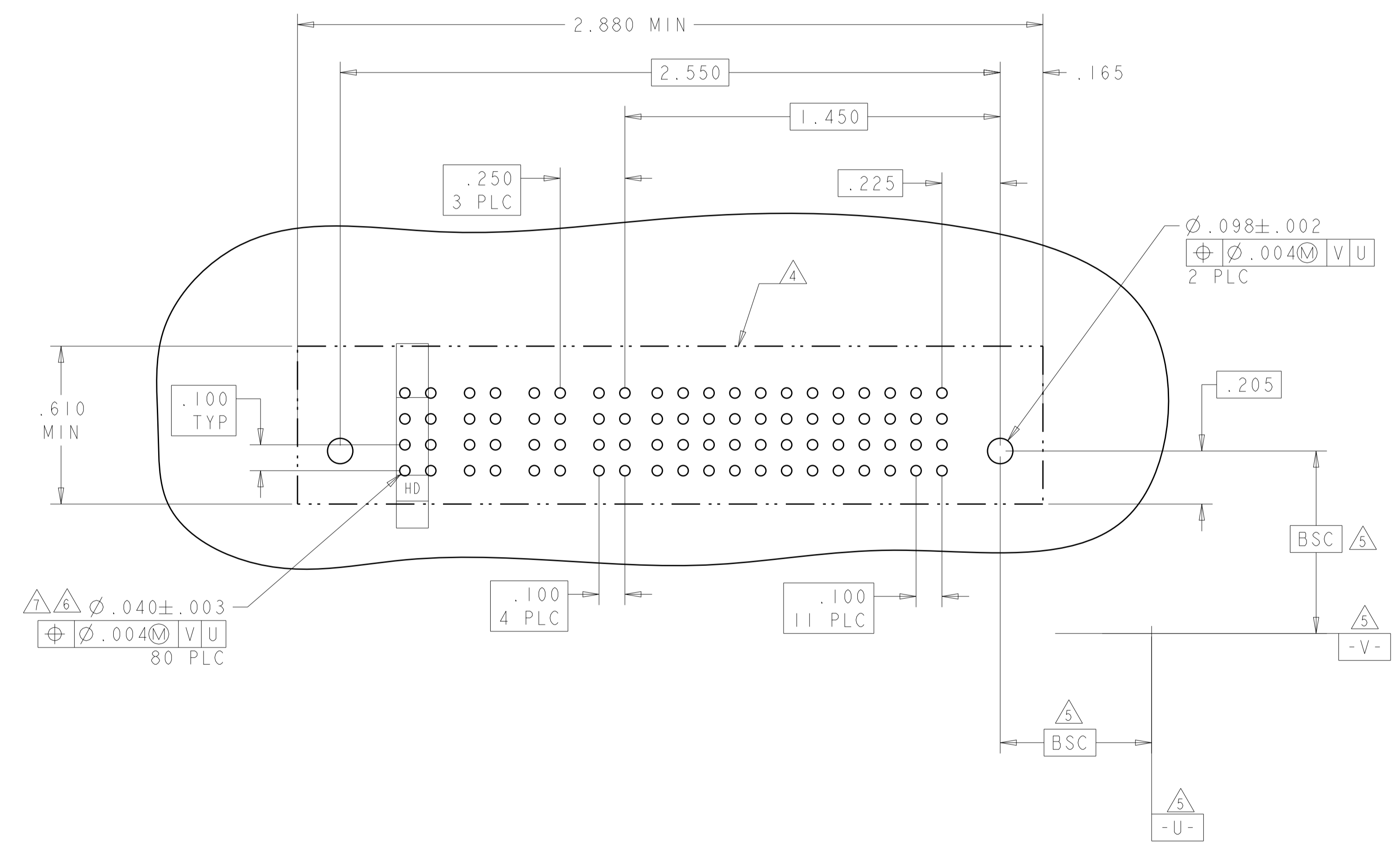
THIS DRAWING IS A CONTROLLED DOCUMENT.		DWN C. ZHOU 26APR2007	TE Connectivity
DIMENSIONS: INCHES		CHK S. ZHAO	
TOLERANCES UNLESS OTHERWISE SPECIFIED: 0 PLC ± 1 PLC ±.01 2 PLC ±.01 3 PLC ±.005 4 PLC ±.0020 ANGLES ±.2°		APVD	NAME VERTICAL RECEPTACLE ASSEMBLY WITH GUIDES MULTI-BEAM XL
MATERIAL		PRODUCT SPEC	RESTRICTED TO
FINISH		APPLICATION SPEC	SIZE CAGE CODE DRAWING NO
		WEIGHT	A100779C=6450141
		CUSTOMER DRAWING	SCALE 4:1 SHEET 4 OF 11 REV C5

ASSY PART NUMBER	ROWS	POWER														SIGNAL										
		P14	P13	P12	P11	P10	P9	P8	P7	P6	P5	P4	P3	P2	P1	6	5	4	3	2	1					
6450141-7	D C B A	HD	VM	VM	VM	VM	VM	VM	VM	VM	VM	VM	VM	VM	VM	VM	VM	VM	E	E	E	E	E	E		
			VM	VM	VM	VM	VM	VM	VM	VM	VM	VM	VM	VM	VM	VM	VM	VM	E	E	E	E	E	E		
			VM	VM	VM	VM	VM	VM	VM	VM	VM	VM	VM	VM	VM	VM	VM	VM	E	E	E	E	E	E		
			VM	VM	VM	VM	VM	VM	VM	VM	VM	VM	VM	VM	VM	VM	VM	VM	E	E	E	E	E	E		
24S + 14P																										



THIS DRAWING IS A CONTROLLED DOCUMENT.		OWN: C. ZHOU 26APR2007	<b>STE</b> TE Connectivity
DIMENSIONS: INCHES		CHK: S. ZHAO	
TOLERANCES UNLESS OTHERWISE SPECIFIED:		APVD: -	NAME: VERTICAL RECEPTACLE ASSEMBLY WITH GUIDES MULTI-BEAM XL
0 PLC ±.01	1 PLC ±.01	PRODUCT SPEC	SIZE: 114-13038
2 PLC ±.01	3 PLC ±.005	APPLICATION SPEC	RESTRICTED TO: -
4 PLC ±.0020	ANGLES ±.7°	WEIGHT: -	A100779C=6450141
MATERIAL: -	FINISH: -	CUSTOMER DRAWING	SCALE: 4:1 SHEET 5 OF 11 REV: C5

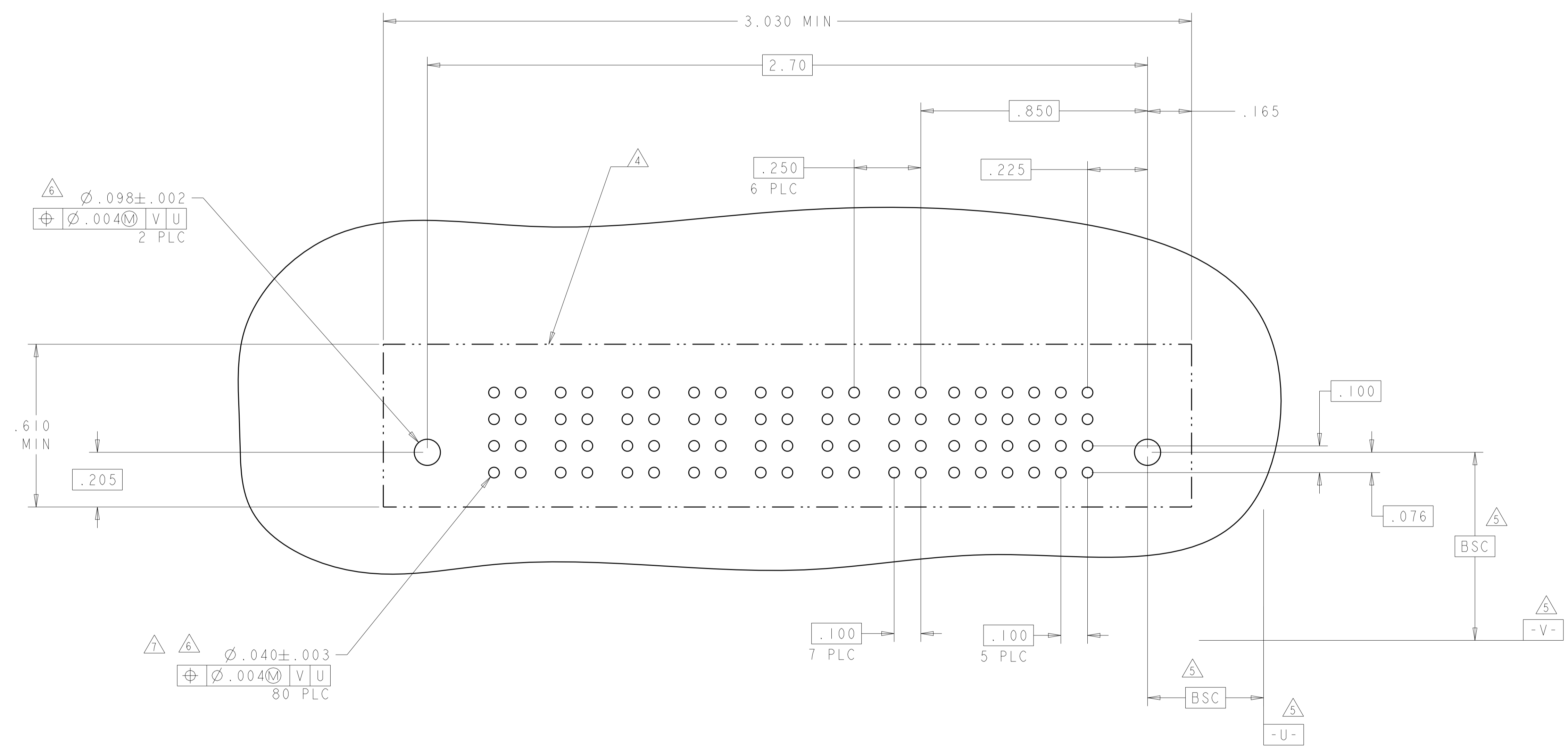
PART NUMBER	ROWS	POWER				SIGNAL														
		P4	P3	P2	P1	I2	I1	I0	9	8	7	6	5	4	3	2	1			
6450141-8	D	VM	VM	VM	VM	E	E	E	E	E	E	E	E	E	E	E	E	E		
	C					E	E	E	E	E	E	E	E	E	E	E	E	E	E	
	B					E	E	E	E	E	E	E	E	E	E	E	E	E	E	E
	A					E	E	E	E	E	E	E	E	E	E	E	E	E	E	E
48S + 4P		HD															HD			



THIS DRAWING IS A CONTROLLED DOCUMENT.		DWN C. ZHOU 26APR2007	TE Connectivity
DIMENSIONS: INCHES		CHK S. ZHAO	
TOLERANCES UNLESS OTHERWISE SPECIFIED: 0 PLC ±. 1 PLC ±.01 2 PLC ±.01 3 PLC ±.005 4 PLC ±.0020 ANGLES ±.2° FINISH		APVD	NAME VERTICAL RECEPTACLE ASSEMBLY WITH GUIDES MULTI-BEAM XL
MATERIAL		PRODUCT SPEC	RESTRICTED TO
SCALE 4:1		APPLICATION SPEC	SIZE CAGE CODE DRAWING NO
SHEET 6 OF 11		114-13038	A100779C=6450141
REV C5		WEIGHT	CUSTOMER DRAWING

PART NUMBER	ROWS	POWER							SIGNAL					
		P7	P6	P5	P4	P3	P2	P1	6	5	4	3	2	1
6450141-9	D								E	E	E	E	E	E
	C								E	E	E	E	E	E
	B	VM	VM	VM	VM	VM	VM	VM	E	E	E	E	E	E
	A	HD							E	E	E	E	E	E

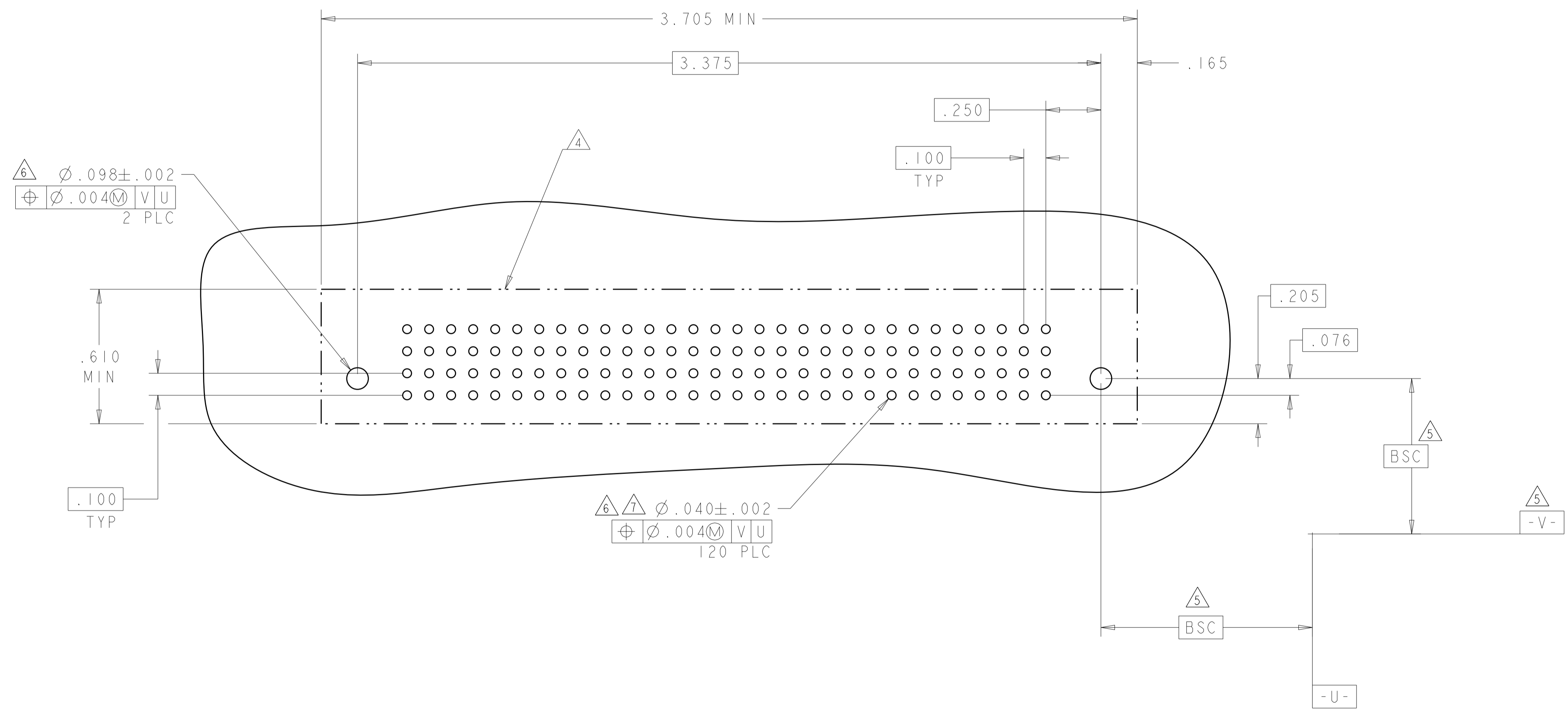
24S+7P



THIS DRAWING IS A CONTROLLED DOCUMENT.		OWN	C. ZHOU	26APR2007												
DIMENSIONS: INCHES		CHK	S. ZHAO													
TOLERANCES UNLESS OTHERWISE SPECIFIED:		APVD														
<table border="1"> <tr><td>0 PLC</td><td>±</td></tr> <tr><td>1 PLC</td><td>±.01</td></tr> <tr><td>2 PLC</td><td>±.01</td></tr> <tr><td>3 PLC</td><td>±.005</td></tr> <tr><td>4 PLC</td><td>±.0020</td></tr> <tr><td>ANGLES</td><td>±.2°</td></tr> </table>		0 PLC	±	1 PLC	±.01	2 PLC	±.01	3 PLC	±.005	4 PLC	±.0020	ANGLES	±.2°	PRODUCT SPEC	NAME	
0 PLC	±															
1 PLC	±.01															
2 PLC	±.01															
3 PLC	±.005															
4 PLC	±.0020															
ANGLES	±.2°															
MATERIAL		APPLICATION SPEC	VERTICAL RECEPTACLE ASSEMBLY WITH GUIDES MULTI-BEAM XL													
FINISH		114-13038	SIZE	CAGE CODE DRAWING NO												
		WEIGHT	A100779	REV C5												
		CUSTOMER DRAWING	SCALE	4:1												
			SHEET	7 OF 11												

PART NUMBER	ROWS	SIGNAL																												
		30	29	28	27	26	25	24	23	22	21	20	19	18	17	16	15	14	13	12	11	10	9	8	7	6	5	4	3	2
1-6450141-1	D	E	E	E	E	E	E	E	E	E	E	E	E	E	E	E	E	E	E	E	E	E	E	E	E	E	E	E	E	E
	C	E	E	E	E	E	E	E	E	E	E	E	E	E	E	E	E	E	E	E	E	E	E	E	E	E	E	E	E	E
	B	E	E	E	E	E	E	E	E	E	E	E	E	E	E	E	E	E	E	E	E	E	E	E	E	E	E	E	E	E
	A	HD	E	E	E	E	E	E	E	E	E	E	E	E	E	E	E	E	E	E	E	E	E	E	E	E	E	E	E	HD
120S																														

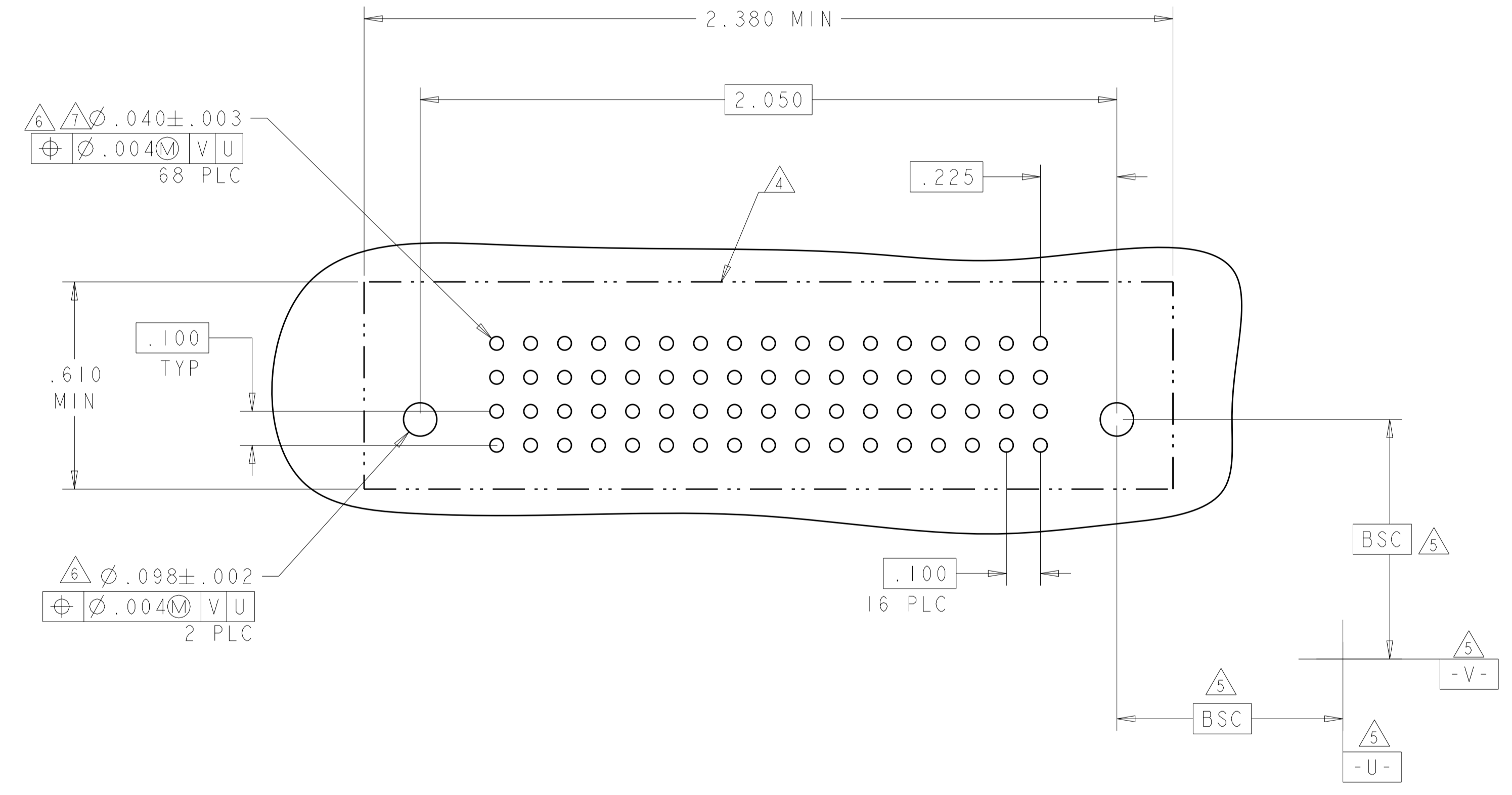
NO CONTACTS LOADED



THIS DRAWING IS A CONTROLLED DOCUMENT.		DWN C. ZHOU	26APR2007	<b>STE</b> TE Connectivity
DIMENSIONS: INCHES		CHK S. ZHAO	APVD	
TOLERANCES UNLESS OTHERWISE SPECIFIED:		PRODUCT SPEC		NAME VERTICAL RECEPTACLE ASSEMBLY WITH GUIDES MULTI-BEAM XL
0 PLC ±.01		APPLICATION SPEC		
1 PLC ±.01		SIZE		CAGE CODE
2 PLC ±.005		114-13038		DRAWING NO
3 PLC ±.0020		WEIGHT		A100779
4 PLC ±.0020		CUSTOMER DRAWING		D=6450141
ANGLES ±.2°		SCALE		4:1
FINISH		SHEET		8 OF 11
MATERIAL		REV		C5

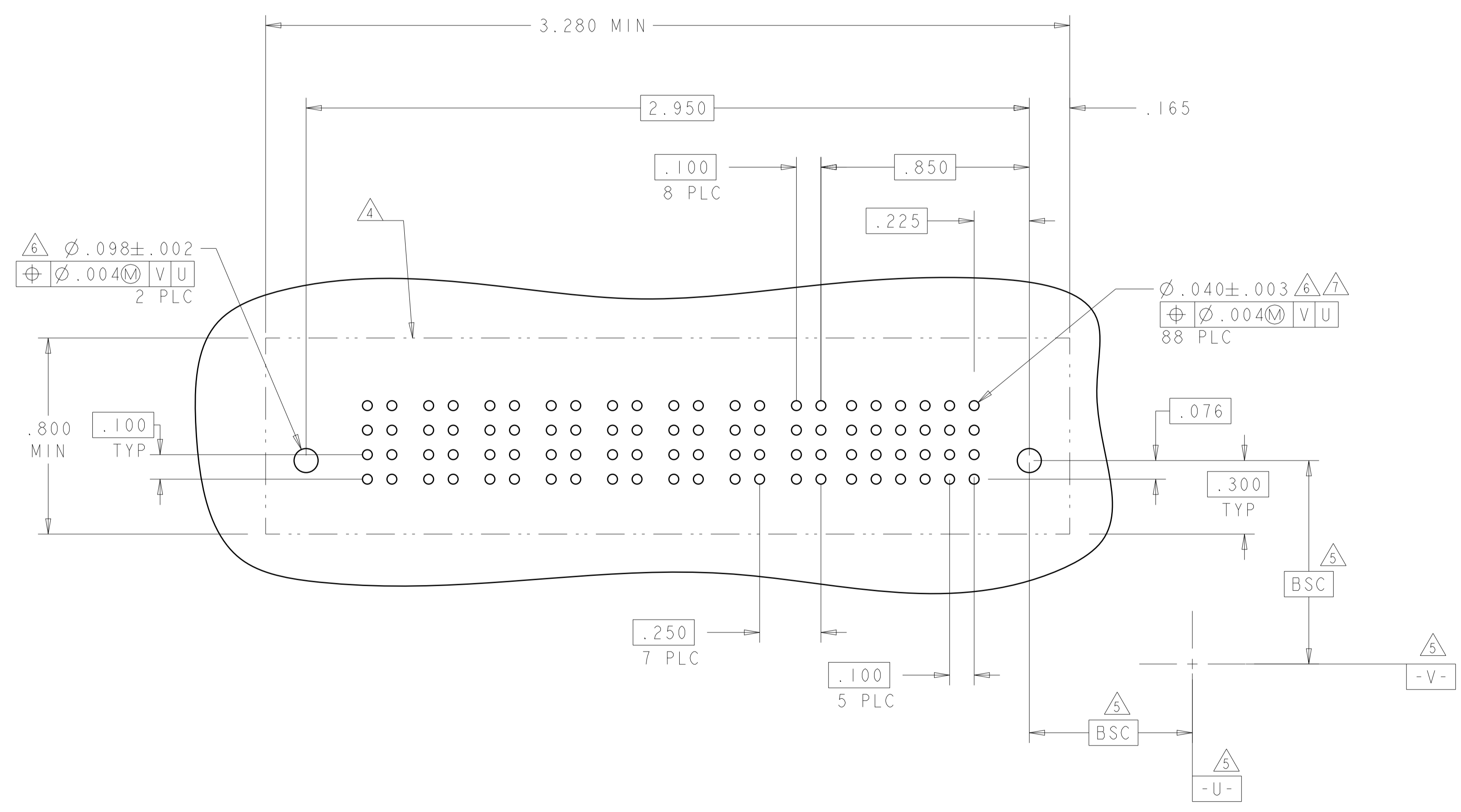


PART NUMBER	ROWS	SIGNAL															
		17	16	15	14	13	12	11	10	9	8	7	6	5	4	3	2
1-6450141-2	D	E	E	E	E	E	E	E	E	E	E	E	E	E	E	E	E
	C																
	B	E	E	E	E	E	E	E	E	E	E	E	E	E	E	E	
	A	HD															HD
68S																	



THIS DRAWING IS A CONTROLLED DOCUMENT.		DWN	C. ZHOU	26APR2007	 TE Connectivity
DIMENSIONS: INCHES		CHK	S. ZHAO	APVD	
DIMENSIONS: INCHES TOLERANCES UNLESS OTHERWISE SPECIFIED: 0 PLC ±. 1 PLC ±.01 2 PLC ±.01 3 PLC ±.005 4 PLC ±.0020 ANGLES ±.2° FINISH		PRODUCT SPEC		VERTICAL RECEPTACLE ASSEMBLY WITH GUIDES MULTI-BEAM XL	
MATERIAL		APPLICATION SPEC		RESTRICTED TO	
CUSTOMER DRAWING		SIZE	A1	CAGE CODE	00779
SCALE		4:1	SHEET	9	OF 11
REV		C5		REV	

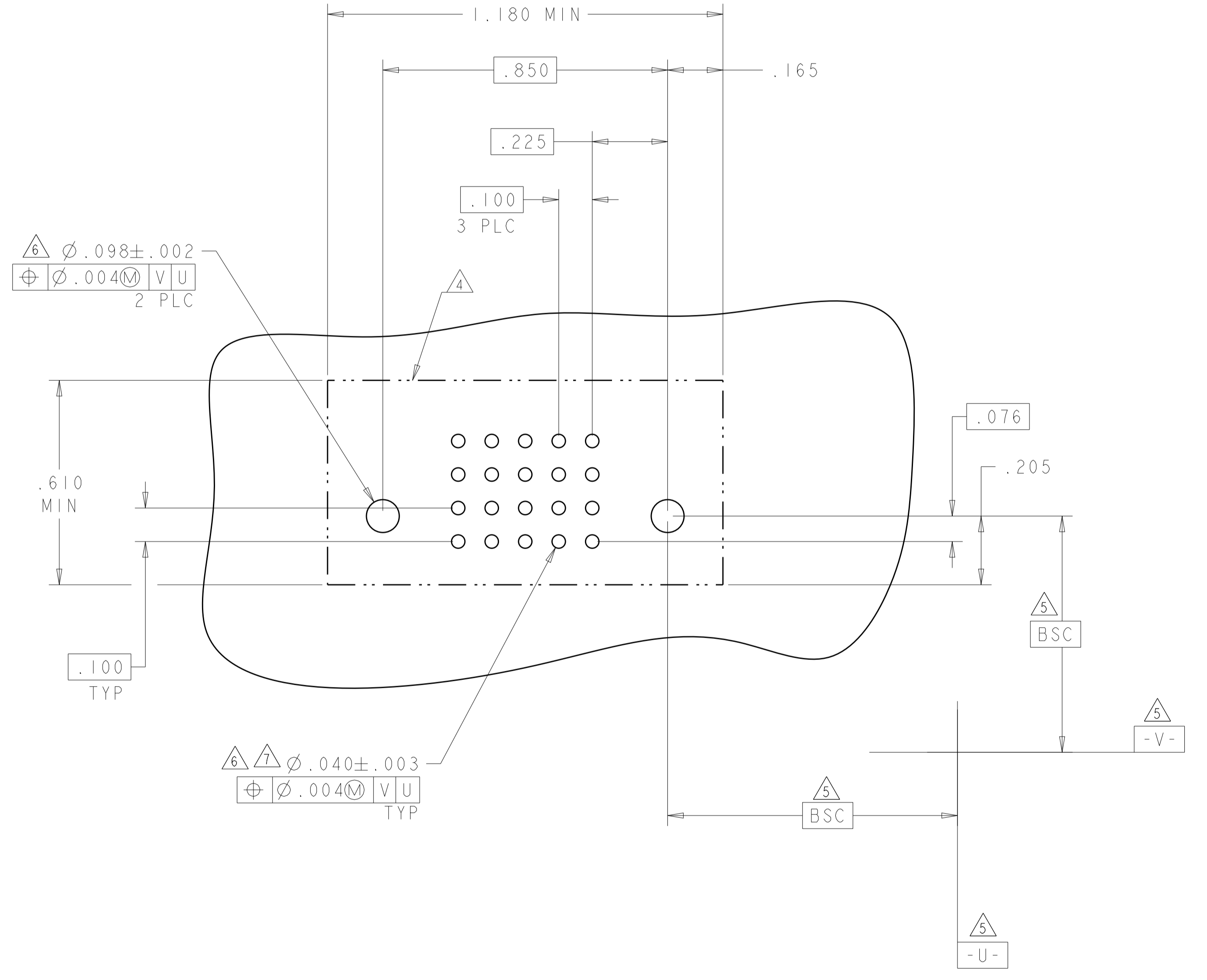
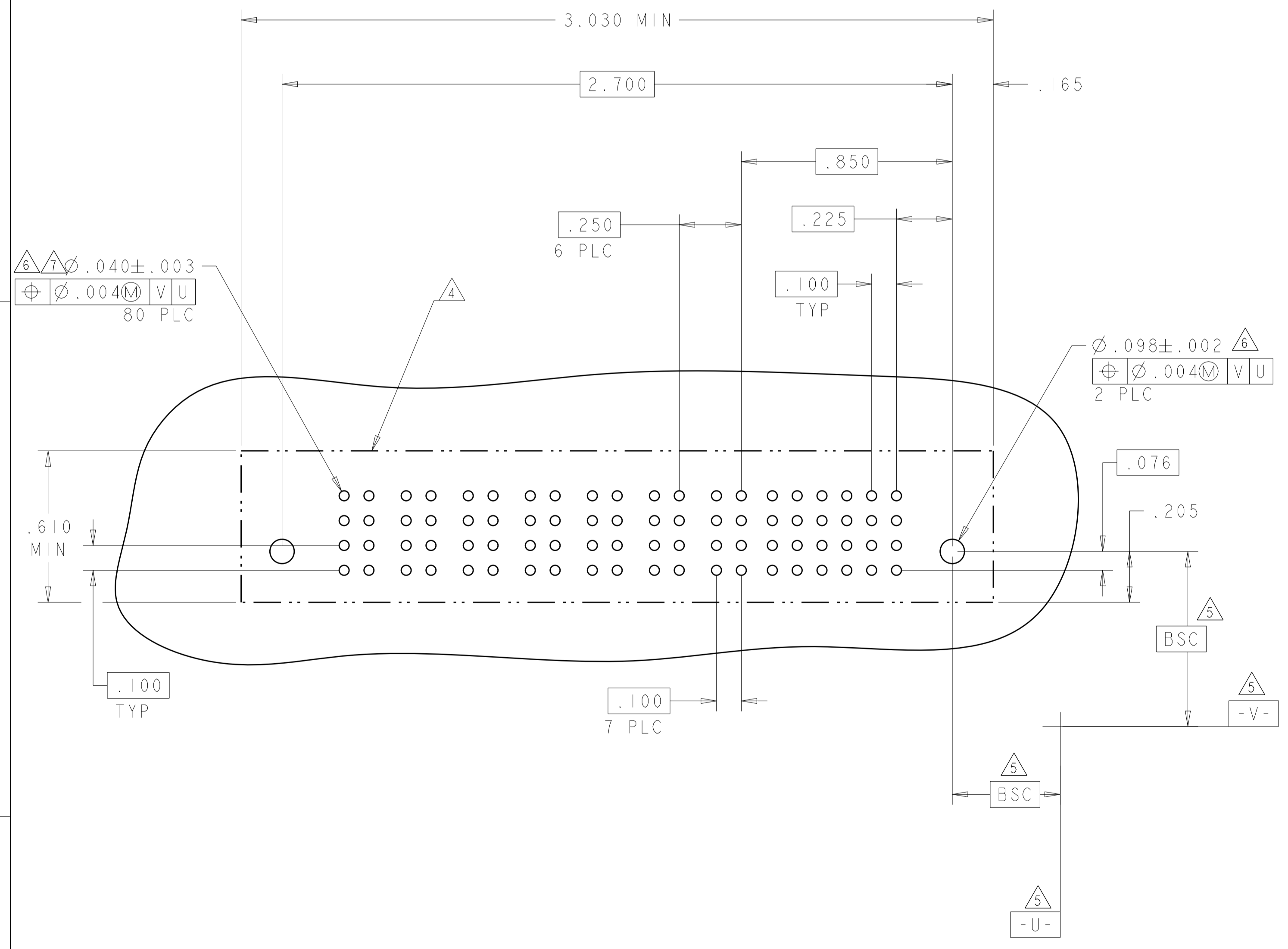
ASSY PART NUMBER	ROWS	POWER								SIGNAL						
		P8	P7	P6	P5	P4	P3	P2	P1	6	5	4	3	2	1	
6450141-4	D C B A	HD	VA	VA	VA	VA	VA	VA	VA	VA	E	E	E	E	E	E
			VA	VA	VA	VA	VA	VA	VA	VA	E	E	E	E	E	E
			VA	VA	VA	VA	VA	VA	VA	VA	E	E	E	E	E	E
			VA	VA	VA	VA	VA	VA	VA	VA	E	E	E	E	E	E
24S + 8P																



THIS DRAWING IS A CONTROLLED DOCUMENT.		DWN	C. ZHOU	26APR2007
DIMENSIONS:		CHK	S. ZHAO	
INCHES		APVD		
TOLERANCES UNLESS OTHERWISE SPECIFIED:		NAME		
0 PLC ±		VERTICAL RECEPTACLE ASSEMBLY		
1 PLC ±.01		WITH GUIDES		
2 PLC ±.01		MULTI-BEAM XL		
3 PLC ±.005		SIZE		
4 PLC ±.0020		CAGE CODE		
ANGLES ±.020		DRAWING NO		
FINISH		RESTRICTED TO		
MATERIAL		A100779C=6450141		
		CUSTOMER DRAWING		
		SCALE 4:1 SHEET 10 OF 11 REV C5		

PART NUMBER	ROWS	POWER						SIGNAL					
		P7	P6	P5	P4	P3	P2	P1	6	5	4	3	2
I-6450141-4	D	VA	VM	VM	VA	VM	VM	E	E	E	E	E	E
	C							E	E	E	E	E	E
	B							E	E	E	E	E	E
	A							E	E	E	E	E	E
24S + 7P		HD		HD		HD		HD		HD		HD	

PART NUMBER	ROWS	SIGNAL					
		5	4	3	2	1	
I-6450141-5	D	E	E	E	E	E	
	C	E	E	E	E	E	
	B	E	E	E	E	E	
	A	E	E	E	E	E	
20S		HD		HD		HD	



THIS DRAWING IS A CONTROLLED DOCUMENT.		DWN: C. ZHOU 26APR2007	 TE Connectivity
DIMENSIONS: INCHES		CHK: S. ZHAO	
TOLERANCES UNLESS OTHERWISE SPECIFIED:		APVD:	NAME: VERTICAL RECEPTACLE ASSEMBLY WITH GUIDES MULTI-BEAM XL
0 PLC ± .	1 PLC ± .	PRODUCT SPEC	SIZE: A1
2 PLC ± .01	3 PLC ± .05	APPLICATION SPEC	CAGE CODE: 6450141
4 PLC ± .0020	ANGLES ± .2°	WEIGHT	SCALE: 4:1
MATERIAL:		FINISH:	SHEET 11 OF 11
			REV C5