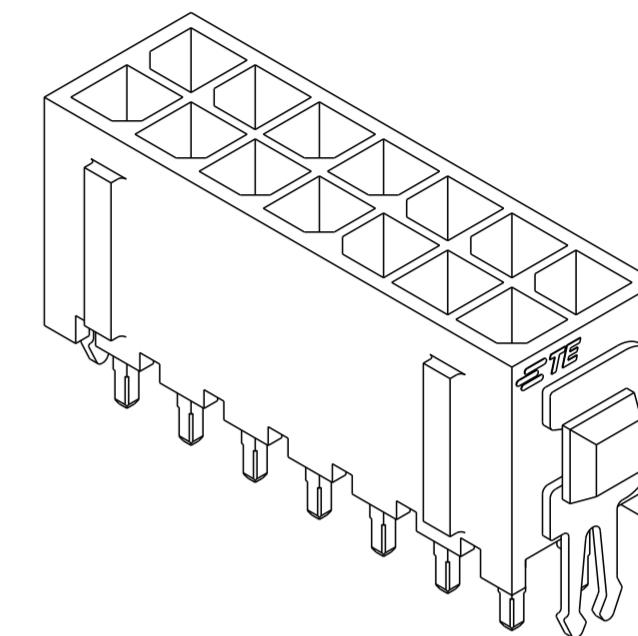
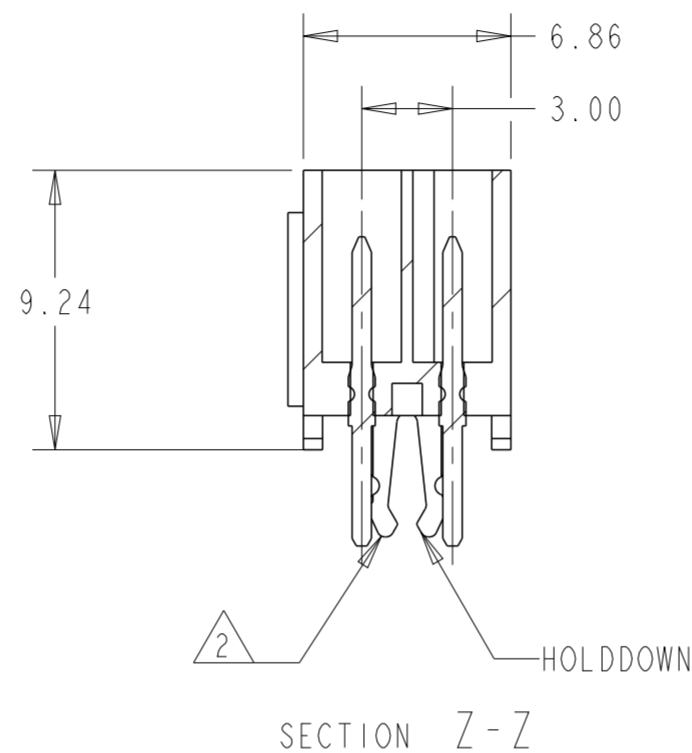
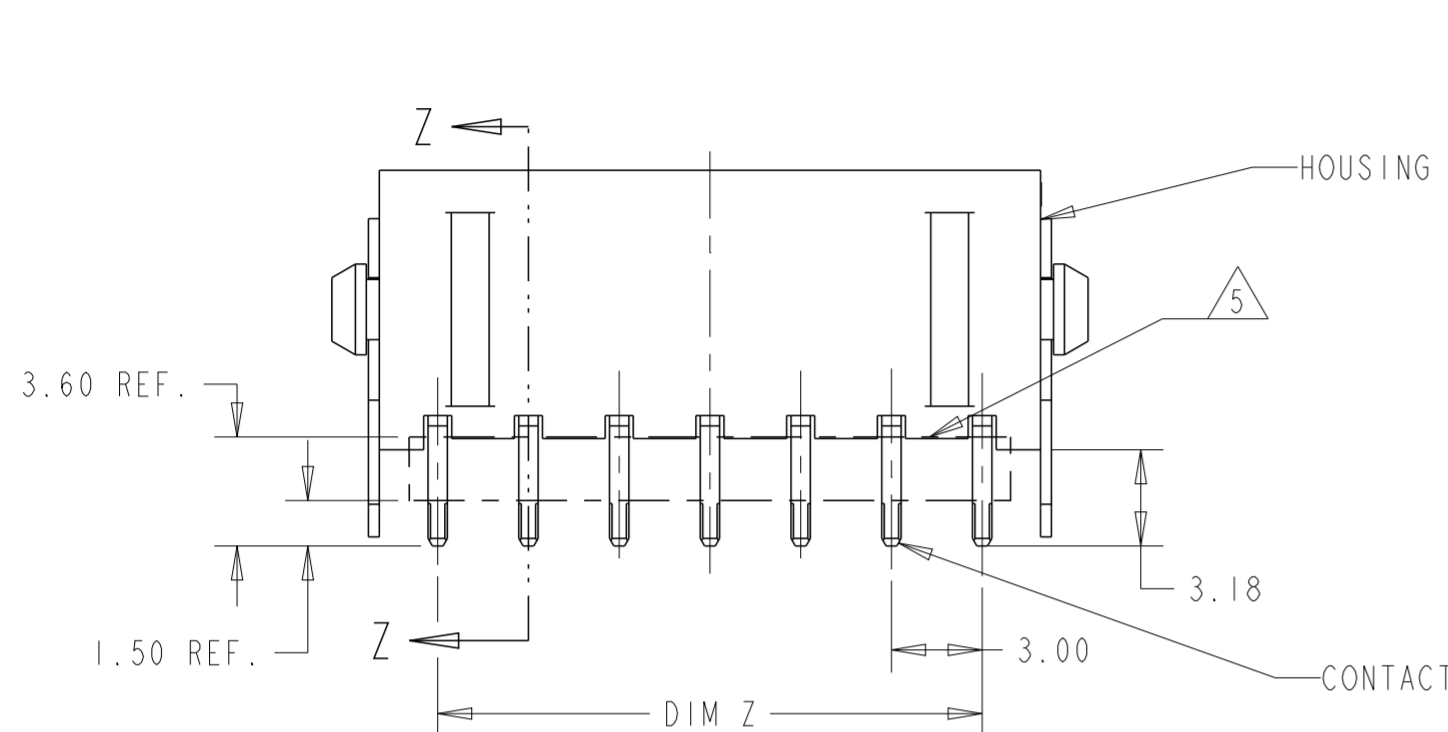
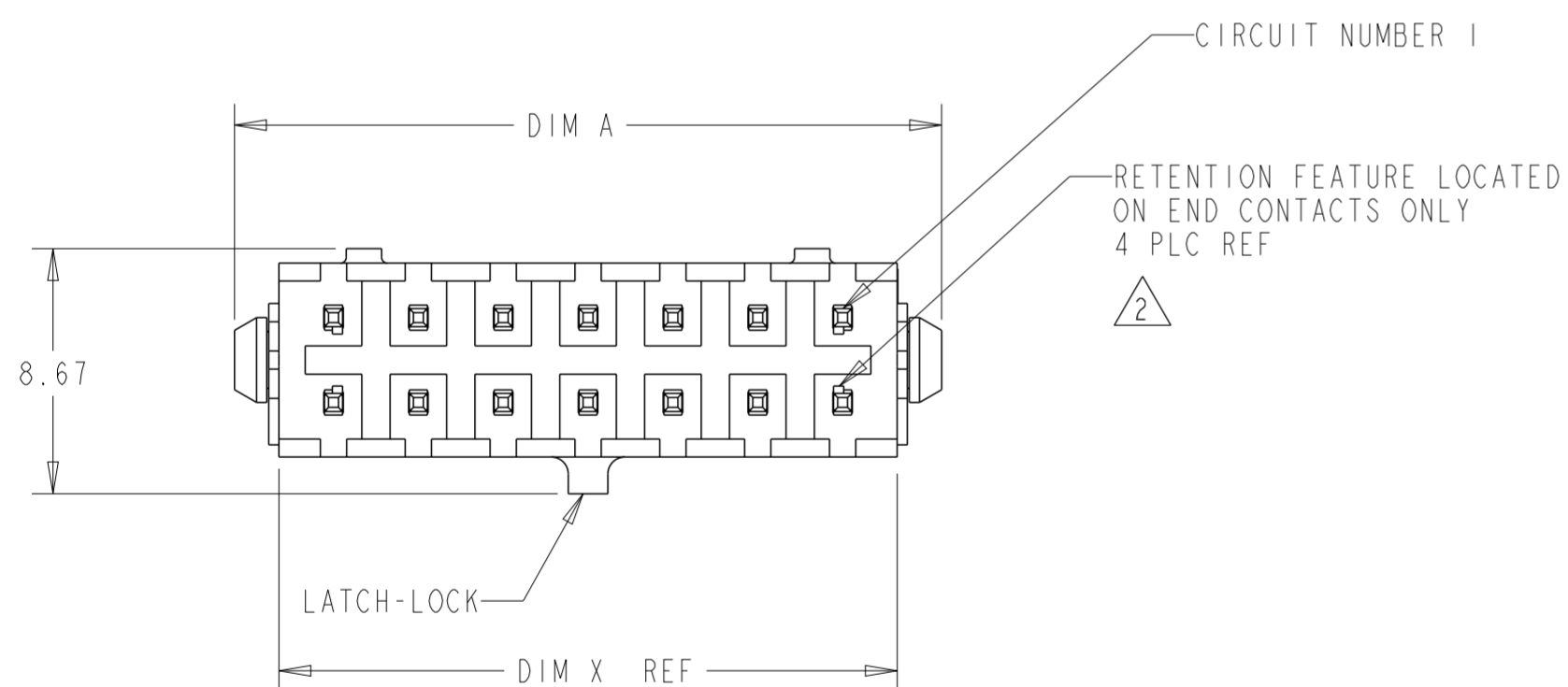


THIS DRAWING IS UNPUBLISHED. RELEASED FOR PUBLICATION  
 © COPYRIGHT 20 BY - ALL RIGHTS RESERVED.

REVISIONS					
P	LTR	DESCRIPTION	DATE	DWN	APVD
F5		REVISED PER ECN-20-100599	28OCT2020	WLS	VS
F6		REVISED PER ECN-20-100659	13NOV2020	WLS	VS
F7		REVISED PER ECN-22-160768	24JUN2022	WLS	VS



- 1 MATERIAL: HOUSING - UL 94V-0 RATED HIGH TEMP. NYLON, COLOR BLACK.  
CONTACT - BRASS.  
HOLDDOWNS - PHOSPHOR BRONZE.
- 2 MAXIMUM INSERTION 30 LBS.
- 3 RECOMMENDED BOARD THICKNESS 1.57.
- 4 FINISH: CONTACT - 0.76µm MINIMUM GOLD ON MATING AREA.  
2.54µm MINIMUM MATTE TIN ON SOLDER TAILS.  
ALL OVER 1.27µm NICKEL MINIMUM.  
HOLDDOWNS - 2.54µm MATTE TIN OVER 1.27µm NICKEL MINIMUM.
- 5 CUTTING AREA REGION, NO PLATING IS PRESENT.
- 6 COUNTERPART RECOMMENDED IS PN 794617 (DASH ACCORDING TO NUMBER OF POSITION).
- 7 FOR REELING DIRECTION AND PACKAGING TYPE, SEE SPECIFICATION 114-13000.

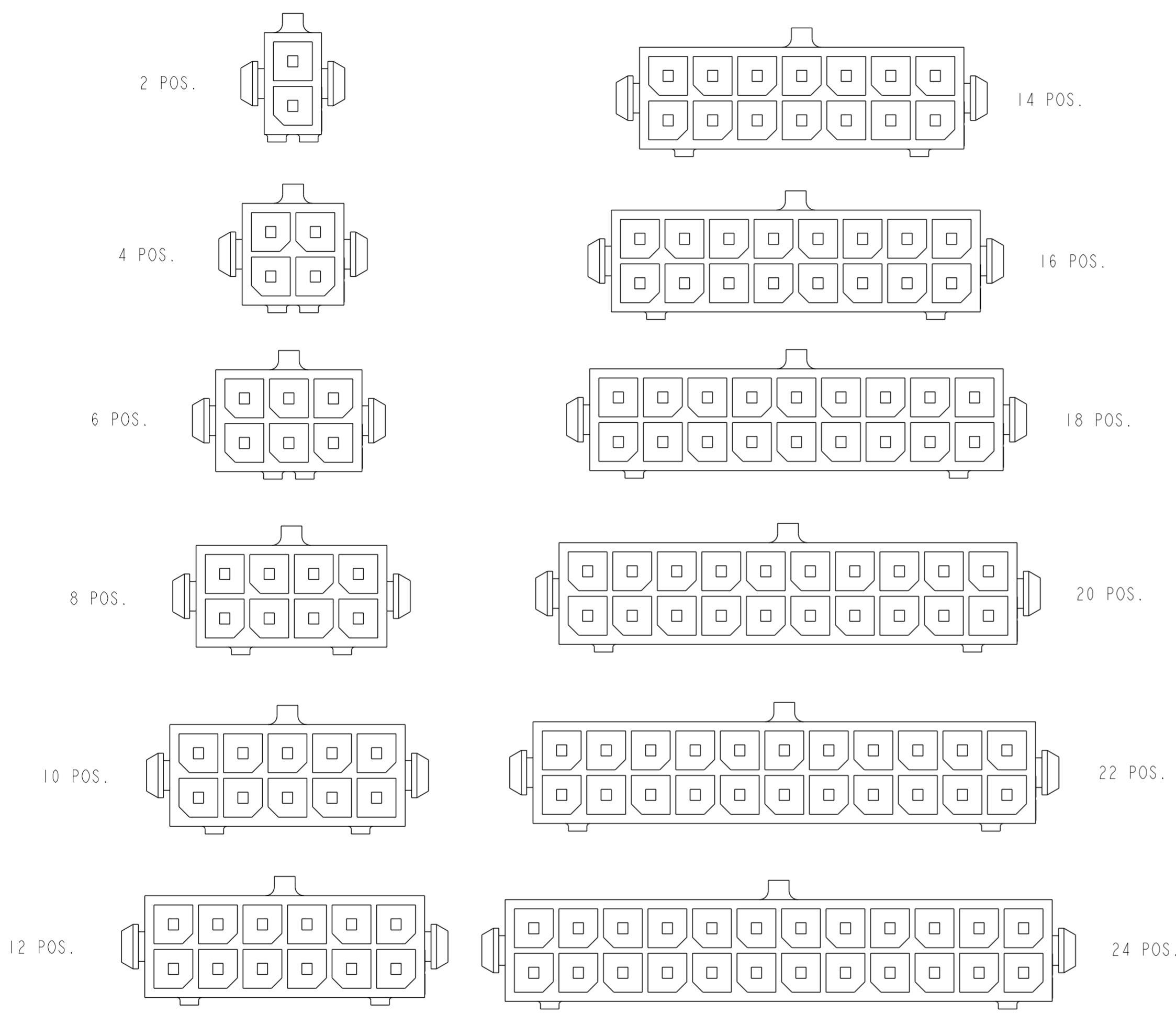


40.00	33.00	37.30	36.86	24	5-794682-4
37.00	30.00	34.30	33.86	22	5-794682-2
34.00	27.00	31.30	30.86	20	5-794682-0
31.00	24.00	28.30	27.86	18	4-794682-8
28.00	21.00	25.30	24.86	16	4-794682-6
25.00	18.00	22.30	21.86	14	4-794682-4
22.00	15.00	19.30	18.86	12	4-794682-2
19.00	12.00	16.30	15.86	10	4-794682-0
16.00	9.00	13.30	12.86	8	3-794682-8
13.00	6.00	10.30	9.86	6	3-794682-6
10.00	3.00	7.30	6.86	4	3-794682-4
7.00	-	4.30	3.86	2	3-794682-2
DIM A	DIM Z	DIM Y	DIM X	NO. OF POSN.	PART NUMBER

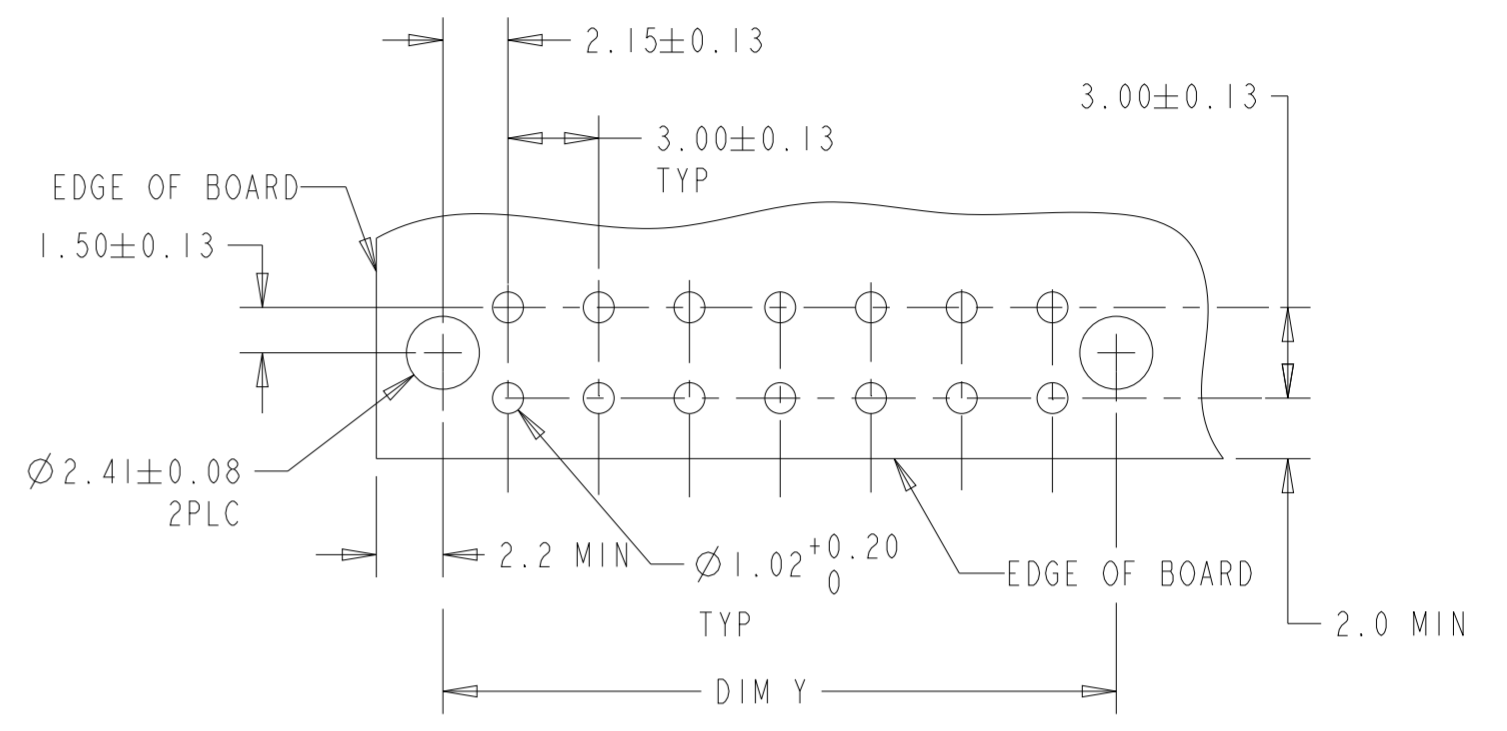
THIS DRAWING IS A CONTROLLED DOCUMENT.		DWN B. HAYMAKER 16AUG99	TE Connectivity		
DIMENSIONS: mm		CHK K. COBLE 16AUG99			
TOLERANCES UNLESS OTHERWISE SPECIFIED:		APVD K. COBLE 16AUG99	NAME VERTICAL HEADER ASSEMBLY, THRU HOLE, 30 GOLD, DUAL ROW, MICRO MATE-N-LOK™		
0 PLC ± 1 PLC ± 2 PLC ±0.20 3 PLC ± 4 PLC ± ANGLES ±1° FINISH		PRODUCT SPEC 108-1836	SIZE A2	CAGE CODE 00779	DRAWING NO G-794682
MATERIAL		APPLICATION SPEC 114-13000	RESTRICTED TO		
1		WEIGHT -	SCALE 4:1 SHEET 1 OF 2 REV F7		
4		CUSTOMER DRAWING			

THIS DRAWING IS UNPUBLISHED. RELEASED FOR PUBLICATION  
 © COPYRIGHT 20 BY - ALL RIGHTS RESERVED.

REVISIONS				
P	LTR	DESCRIPTION	DATE	APVD
-	-	SEE SHEET 1	-	-



KEYING BY POSITION SIZE



RECOMMENDED MOUNTING HOLE PATTERN 3

THIS DRAWING IS A CONTROLLED DOCUMENT.		DWN B. HAYMAKER 16AUG99	TE Connectivity																						
DIMENSIONS: mm		CHK K. COBLE 16AUG99																							
TOLERANCES UNLESS OTHERWISE SPECIFIED:		APVD K. COBLE 16AUG99	NAME VERTICAL HEADER ASSEMBLY, THRU HOLE, 30 GOLD, DUAL ROW, MICRO MATE-N-LOK																						
<table border="0"> <tr> <td>0 PLC</td> <td>±</td> <td></td> </tr> <tr> <td>1 PLC</td> <td>±</td> <td></td> </tr> <tr> <td>2 PLC</td> <td>±0.20</td> <td></td> </tr> <tr> <td>3 PLC</td> <td>±</td> <td></td> </tr> <tr> <td>4 PLC</td> <td>±</td> <td></td> </tr> <tr> <td>ANGLES</td> <td>±1°</td> <td></td> </tr> <tr> <td>FINISH</td> <td></td> <td></td> </tr> </table>		0 PLC	±		1 PLC	±		2 PLC	±0.20		3 PLC	±		4 PLC	±		ANGLES	±1°		FINISH			PRODUCT SPEC 108-1836	SIZE A2	
0 PLC	±																								
1 PLC	±																								
2 PLC	±0.20																								
3 PLC	±																								
4 PLC	±																								
ANGLES	±1°																								
FINISH																									
MATERIAL -		APPLICATION SPEC 114-13000	CAGE CODE 00779	DRAWING NO G-794682	RESTRICTED TO -																				
-		WEIGHT -	SCALE 4:1		SHEET 2 OF 2																				
-		CUSTOMER DRAWING		REV F7																					