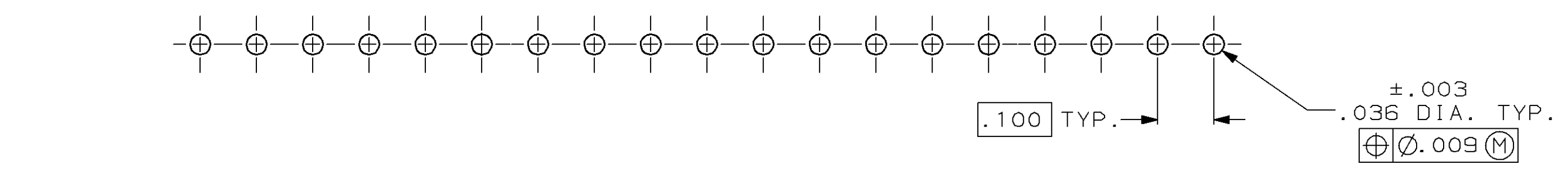
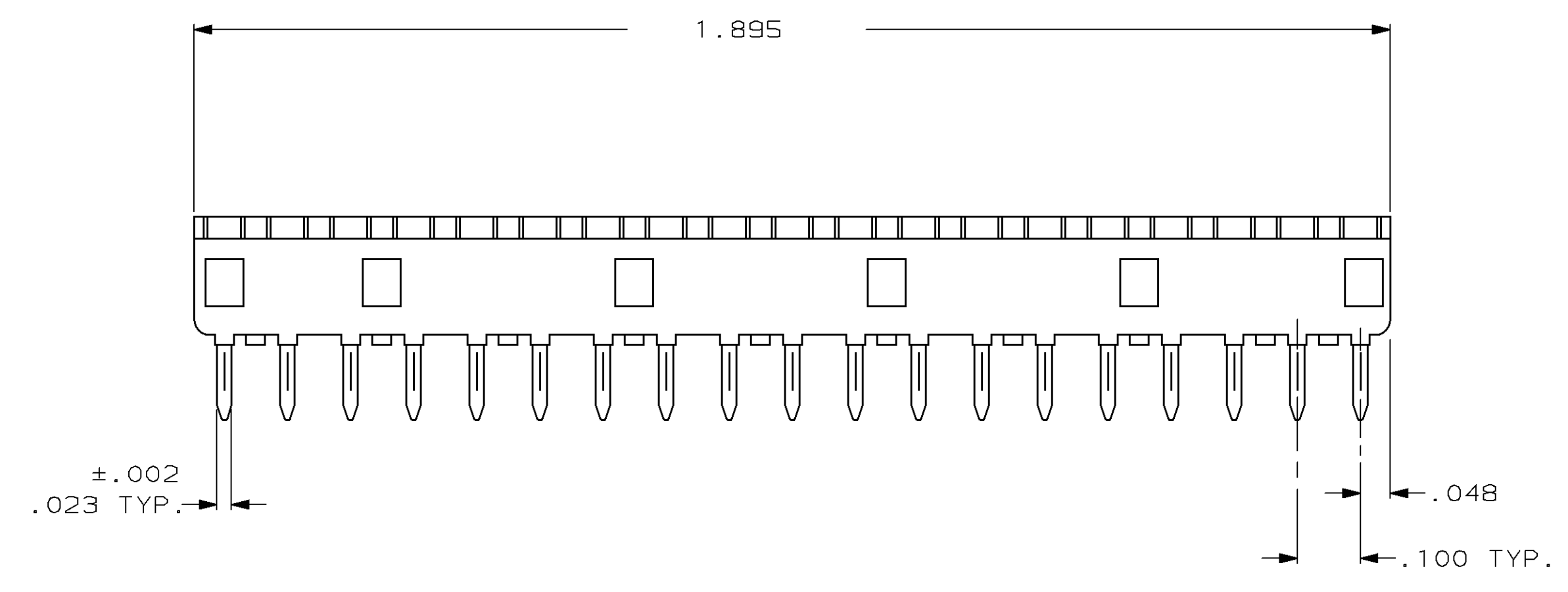
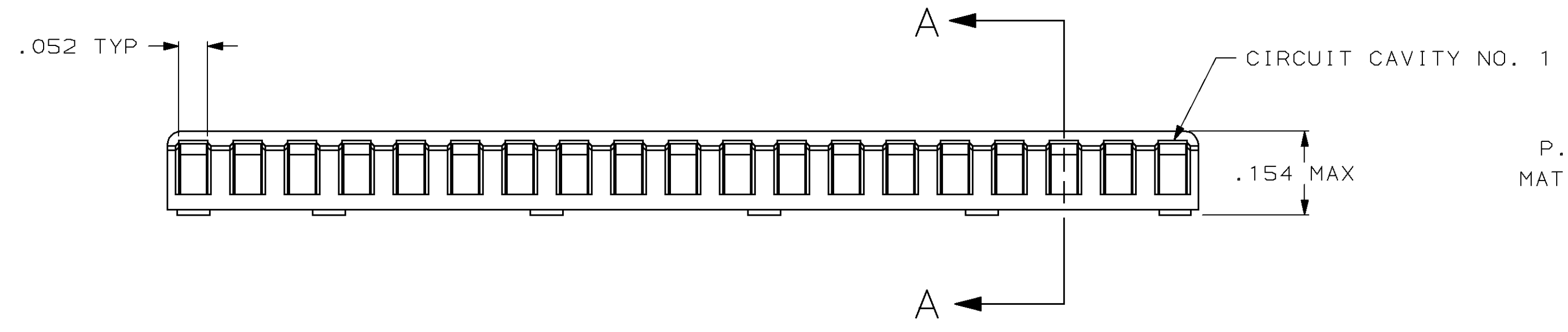
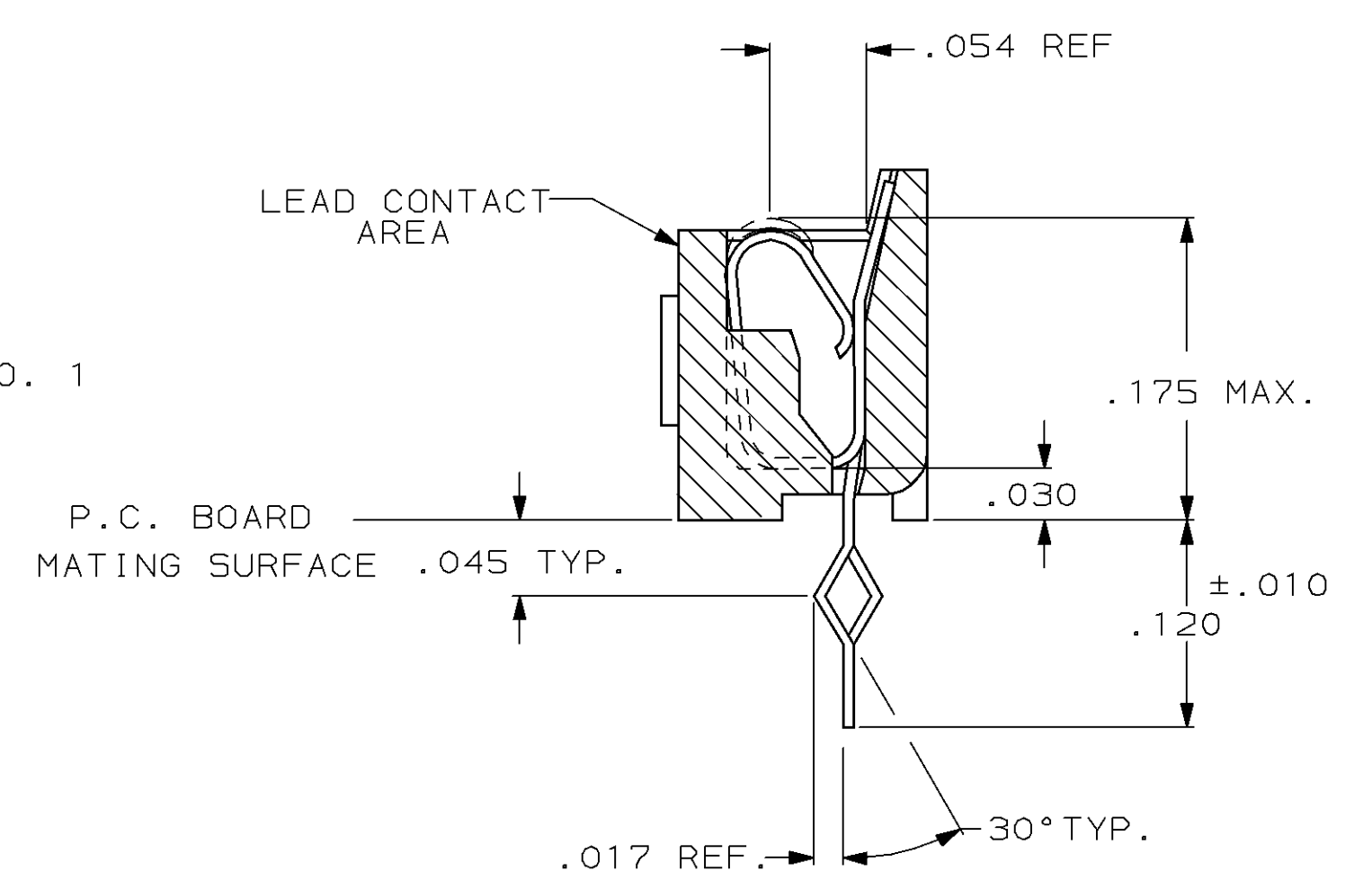


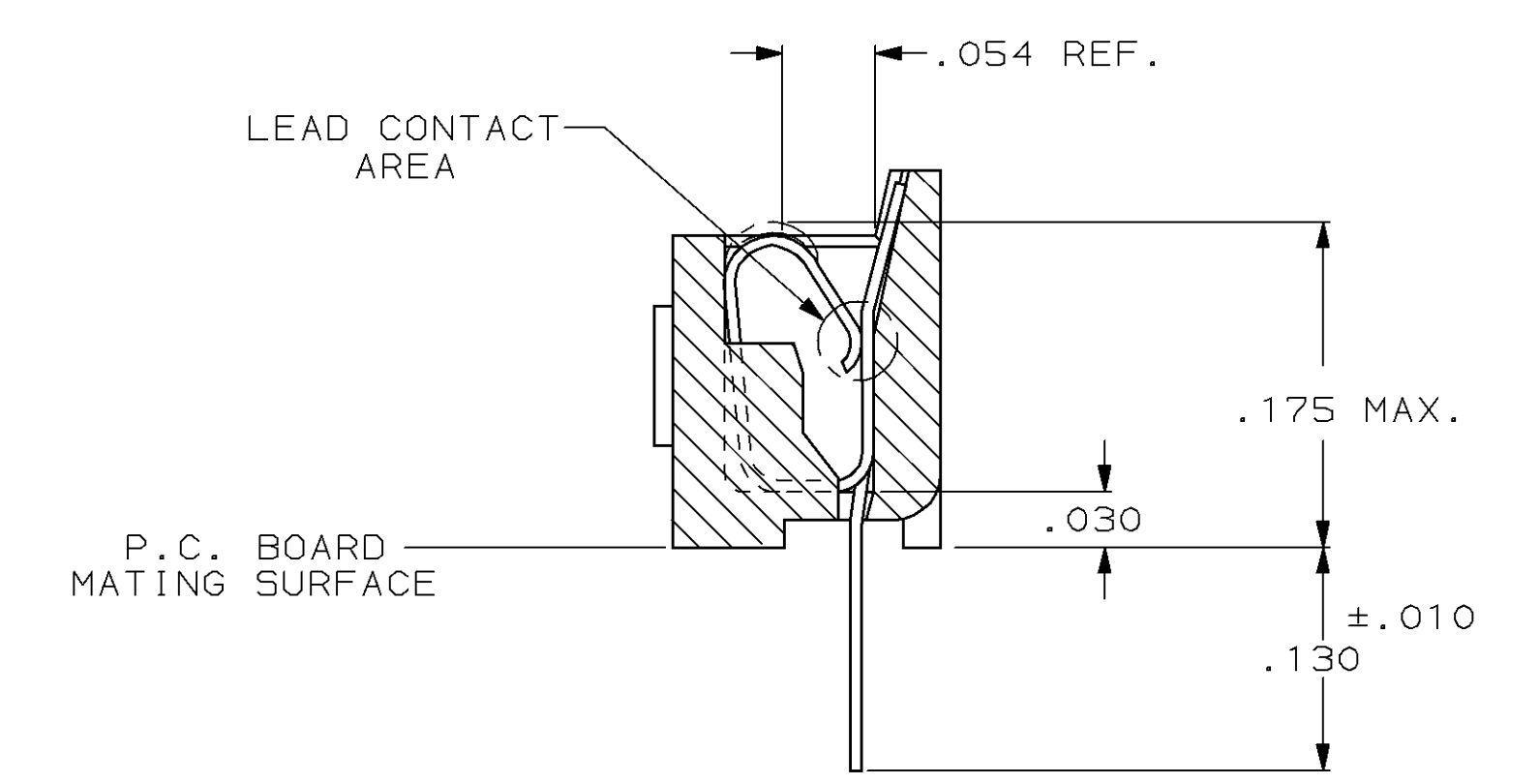
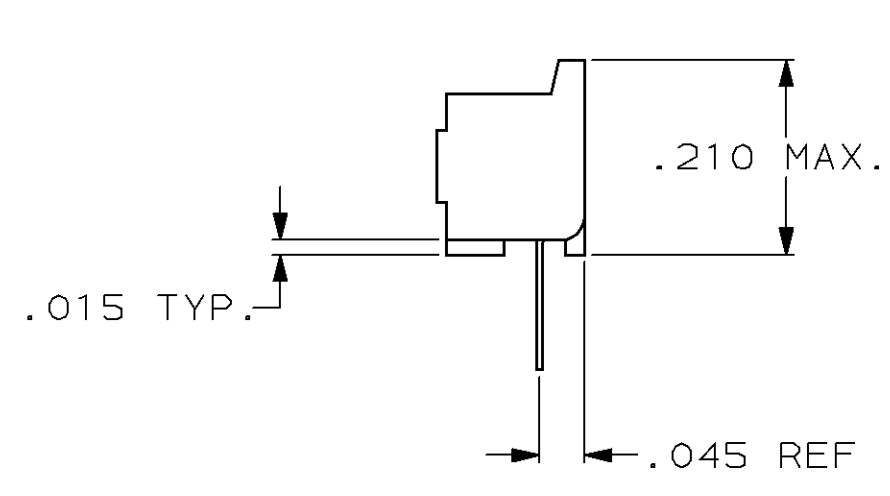
LOC		DIST		REVISIONS			
FT	64	P	LTR	DESCRIPTION	DATE	OWN	APVD
		J		REV PER EC 0320-138-97	13 MAY 97	MB	GJ
		K		REV PER EC 0330-35-97	21 JUL 97	DH	GJ



RECOMMENDED MOUNTING HOLE PATTERN



SECTION A-A
 ROTATED 90° CW
 SCALE 10:1
 FOR -6, -7 & -8 ONLY



SECTION A-A
 ROTATED 90° CW
 SCALE 10:1
 FOR -1, -2 & -3 ONLY

- RECEPTACLE ACCEPTS AN .008-.014 THK. I.C. LEAD.
- TWO .000030 MIN. THK. GOLD STRIPES IN CONTACT AREA, TIN-LEAD (93-7) ON CONTACT LEGS, BALANCE OF CONTACT NICKEL PLATED.
- TWO .000015 MIN. THK. GOLD STRIPES IN CONTACT AREA, TIN-LEAD (93-7) ON CONTACT LEGS, BALANCE OF CONTACT NICKEL PLATED.

	CONTACT FINISH	CONTACT MAT'L	HOUSING MATERIAL	PART NO.
	TINNED	PHOS. BRZ.	GLASS-FILLED THERMOPLASTIC, 94V-0, BLACK	643651-8
OBSOLETE		BE. CU.	GLASS-FILLED THERMOPLASTIC, 94V-0, BLACK	643651-7
OBSOLETE	TINNED	BE. CU.	GLASS-FILLED THERMOPLASTIC, 94V-0, BLACK	643651-6
SUPSD BY 643651-2		PHOS. BRZ.	GLASS-FILLED THERMOPLASTIC, 94V-0, BLACK	643651-4
	TINNED	PHOS. BRZ.	GLASS-FILLED THERMOPLASTIC, 94V-0, BLACK	643651-3
OBSOLETE		BE. CU.	GLASS-FILLED THERMOPLASTIC, 94V-0, BLACK	643651-2
OBSOLETE	TINNED	BE. CU.	GLASS-FILLED THERMOPLASTIC, 94V-0, BLACK	643651-1

THIS DRAWING IS A CONTROLLED DOCUMENT.

DIMENSIONS IN INCHES	TOLERANCES UNLESS OTHERWISE SPECIFIED:	DWN M. CYRUS 6-1-84	AMP Incorporated Harrisburg, PA 17105-3608
0 PL ±.005	1 PL ±.005	CHK N. JONES 7-3-84	
2 PL ±.005	3 PL ±.005	APVD J. GRAY 7-10-84	
4 PL ±.005	ANGLES ±1°	NAME	
MATERIAL SEE TABLE	FINISH SEE TABLE	PRODUCT SPEC 108-1066	SOCKET ASSY, SIP, 19 POS, DIPLOMATE™ DL
		APPLICATION SPEC 114-1049	
		WEIGHT -	RESTRICTED TO
		CUSTOMER DRAWING	SCALE 5:1 SHEET 1 OF 1 REV K