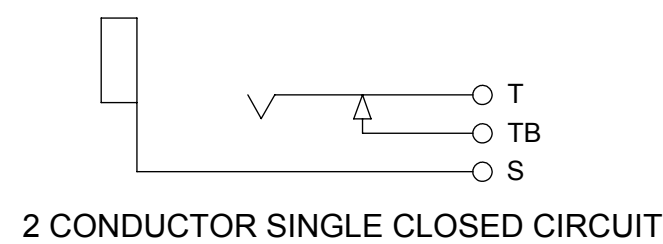
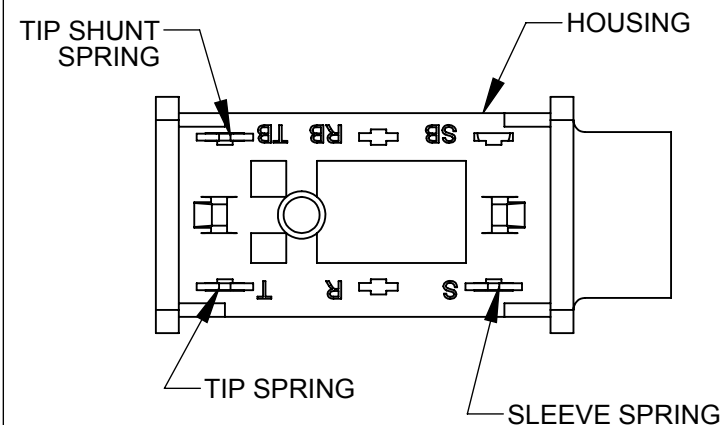
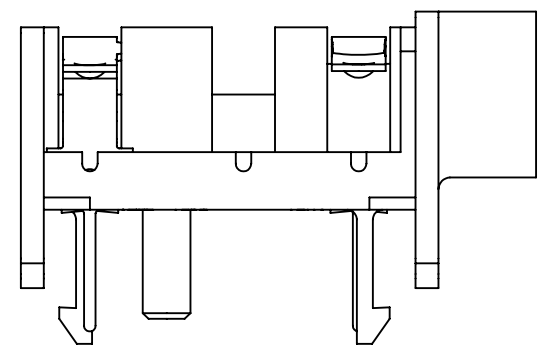
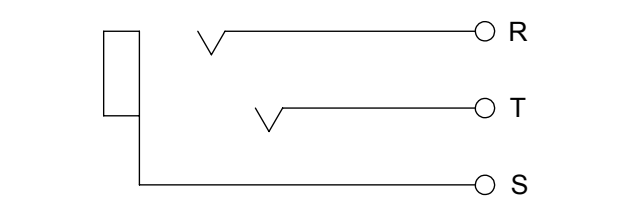
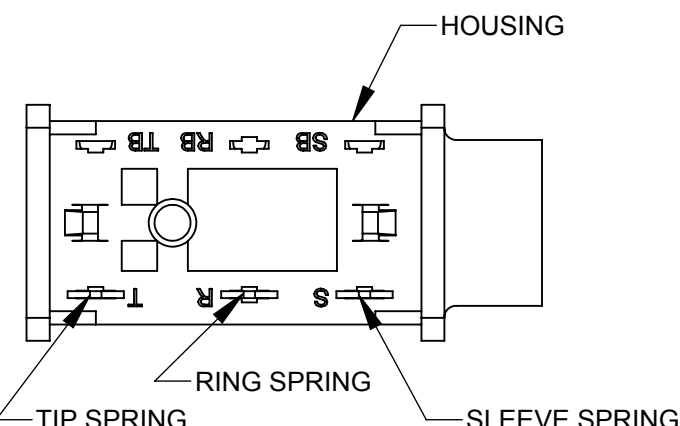
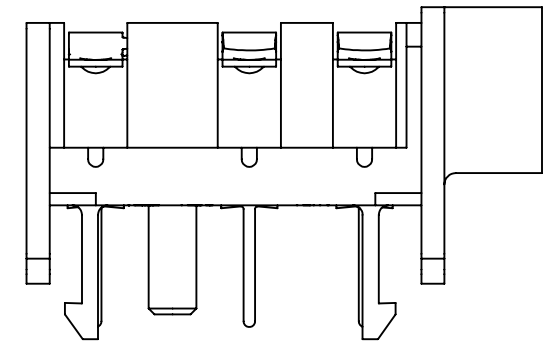


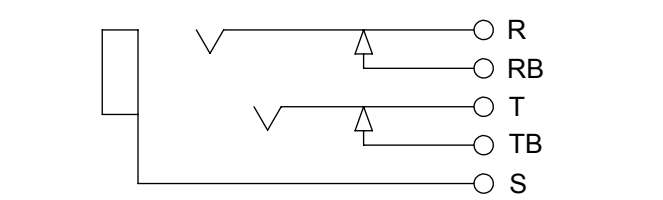
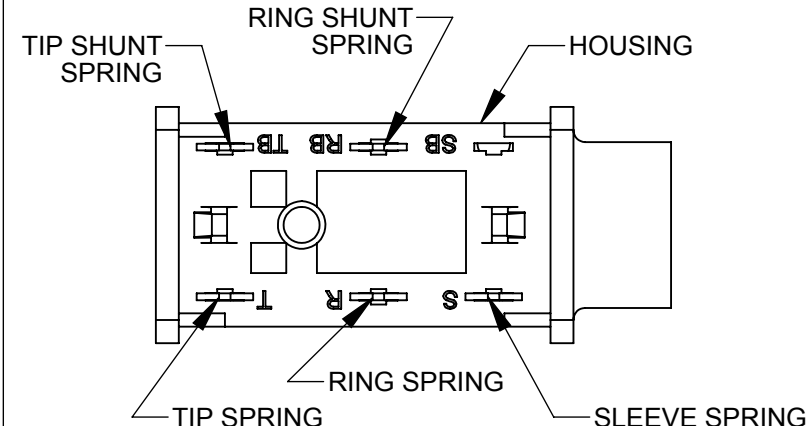
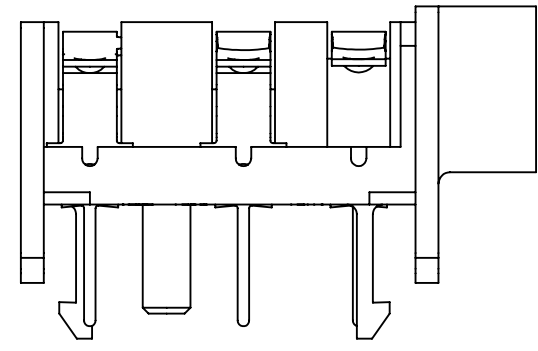
SN49A11



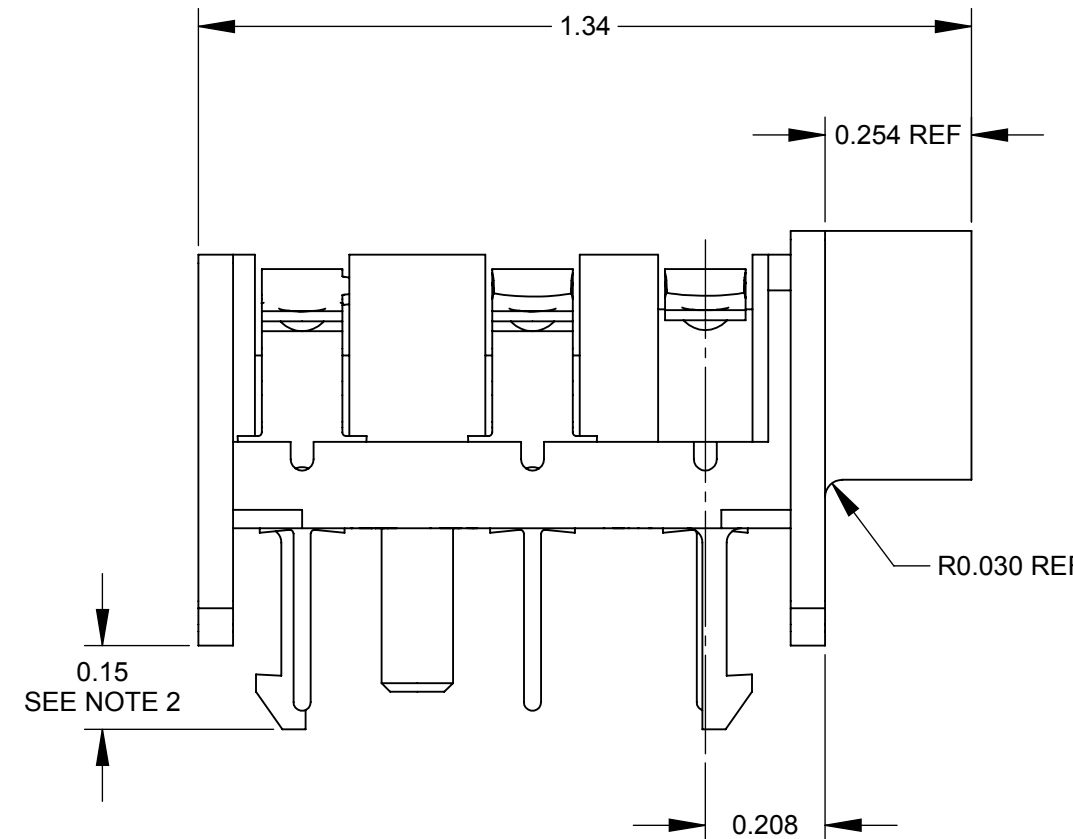
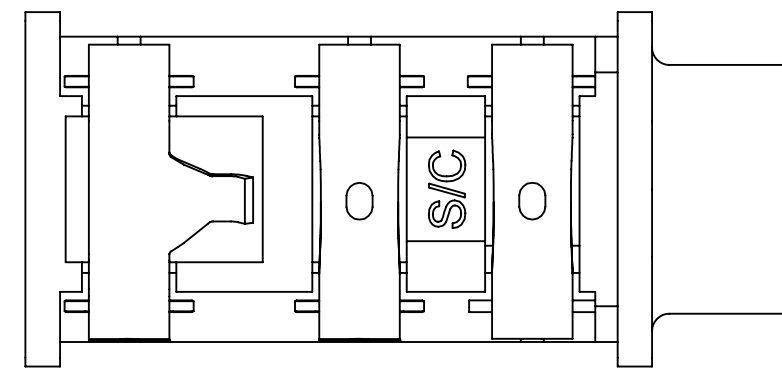
SN49A12A



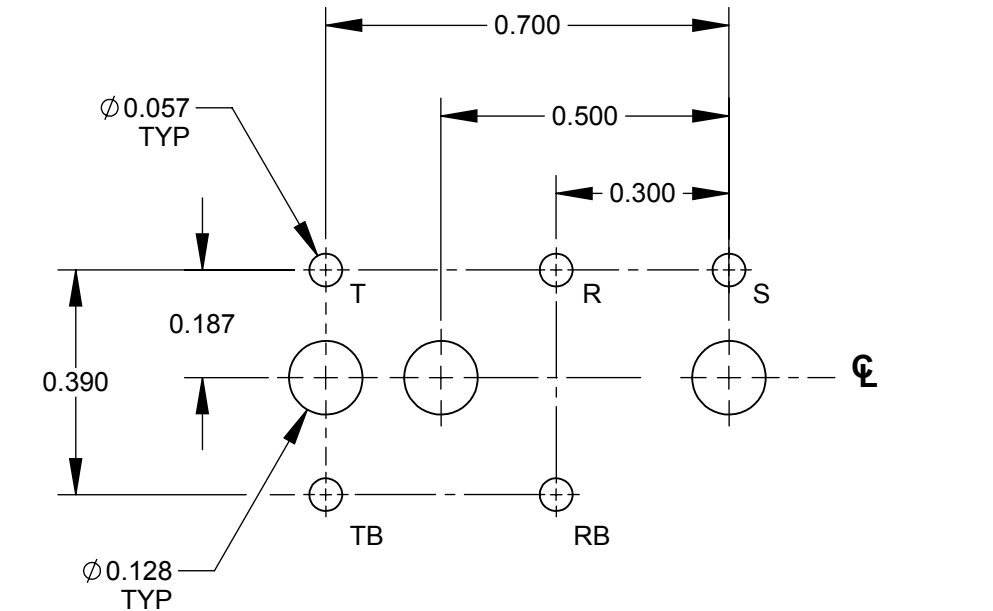
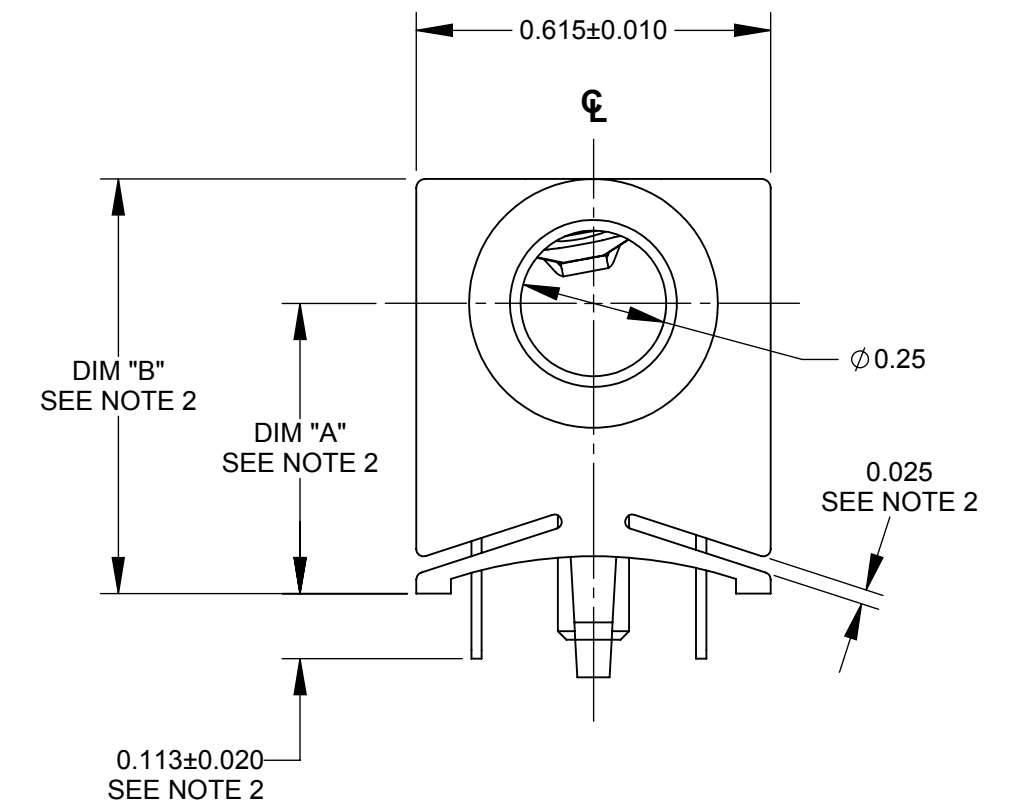
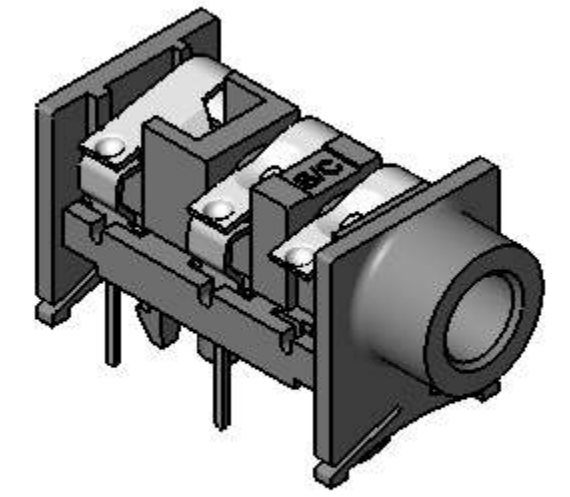
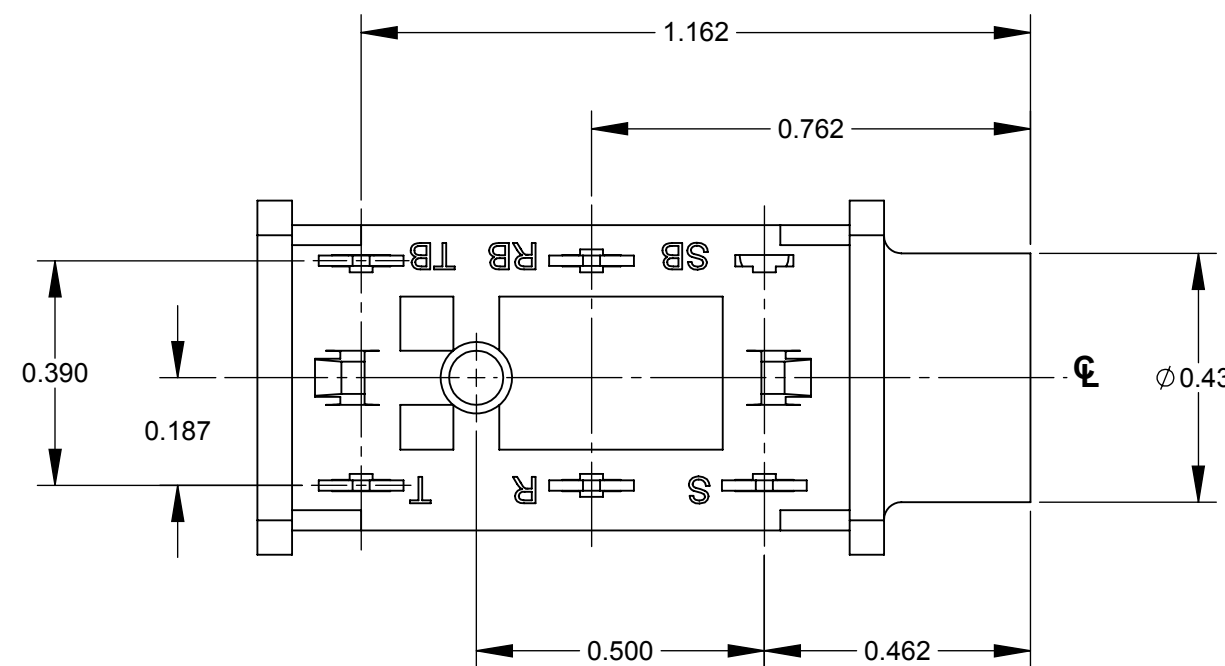
SN49A12B



SN49A14B



SN49A14B SHOWN



RECOMMENDED PC BOARD LAYOUT COMPONENT SIDE

CUSTOMER DRAWING

- NOTES:
- MAY BE USED WITH PC BOARD THICKNESSES RANGING FROM 0.054 - 0.070.
 - THESE DIMENSIONS VARY DEPENDING ON PCB THICKNESS. DIMENSIONS SHOWN ARE FREE STATE AS SHIPPED.
 - MATERIAL SPECIFICATIONS:
HOUSING - THERMOPLASTIC, BLACK.
SPRINGS - SPECIAL COPPER ALLOY, TINNED.
 - THESE PRODUCTS ARE RoHS COMPLIANT.

PART NUMBER	DIM "A"		DIM "B"	
	FREE STATE	WITH 0.062 THICK PCB	FREE STATE	WITH 0.062 THICK PCB
SN49A11	0.504	0.492	0.720	0.708
SN49A12A	0.504	0.492	0.720	0.708
SN49A12B	0.504	0.492	0.720	0.708
SN49A14B	0.504	0.492	0.720	0.708

REV	ECO NUMBER	DATE	BY	APVD
C	CAD REDRAW ECO #27409	11/17/14	PC	TJK
REVISIONS				

UNLESS OTHERWISE SPECIFIED

1. ALL DIMENSIONS IN INCHES

- TWO PLACE DECIMALS ±0.02

- THREE PLACE DECIMALS ±0.005

DO NOT SCALE DRAWING

THIS DRAWING DESCRIBES A DESIGN CONSIDERED PROPRIETARY IN NATURE, DEVELOPED AND MANUFACTURED BY SWITCHCRAFT INC. AND IS RELEASED ON A CONFIDENTIAL BASIS FOR IDENTIFICATION PURPOSES ONLY.				
SIZE	WIDTH	MULT	LBS/M	TEMPER
FINISH		MATERIAL		
SPEC No.		SPEC No.		
FIRST USED ON		SCALE		
		3:1		
DATE DRAWN	BY	CHKD	APVD	
08/17/84	VL	08/17/84	08/17/84	
NAME			PART No.	
PHONE JACK INSULATED BUSHING			SN49A SERIES	
SHEET 1 OF 1				REV C