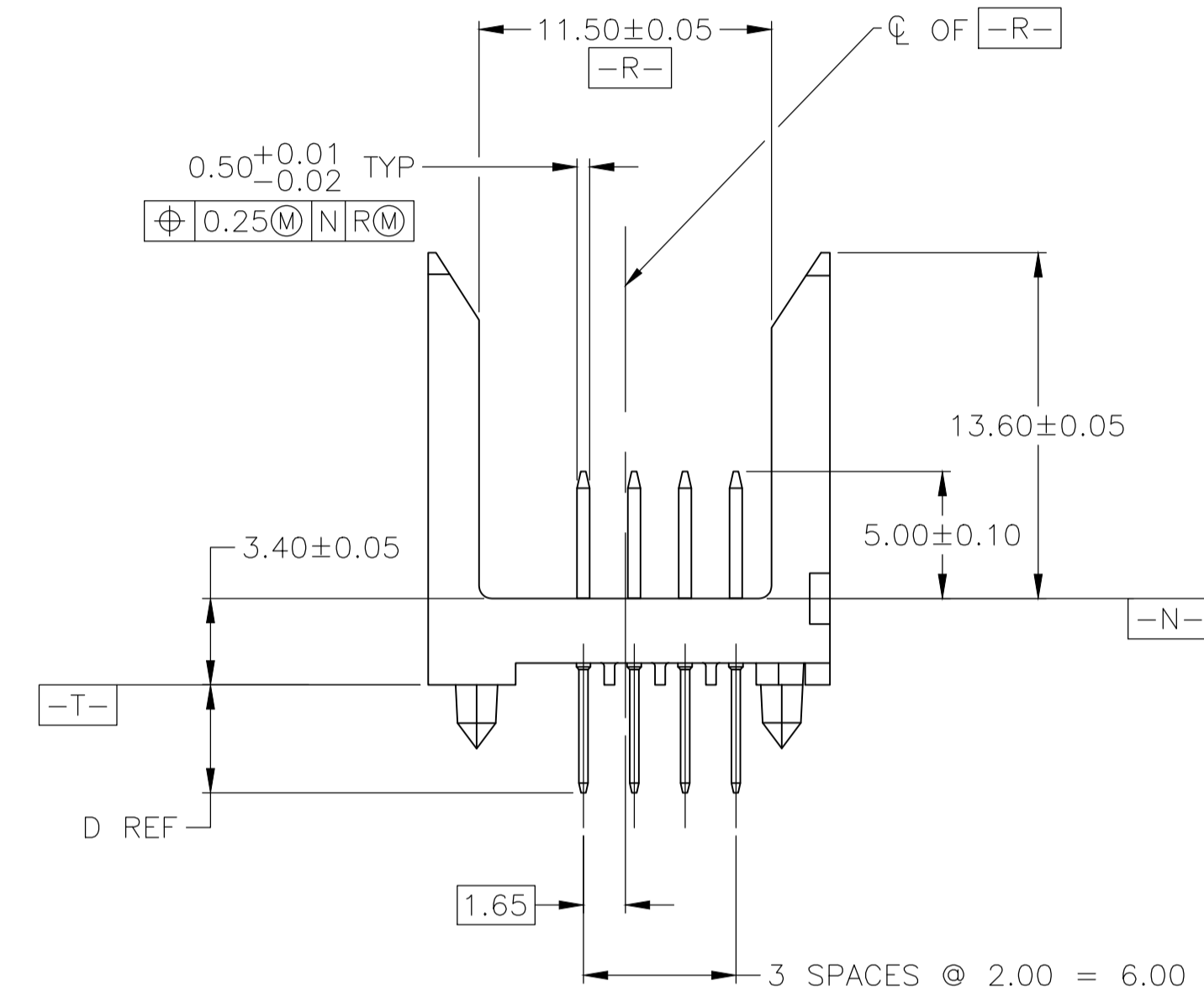
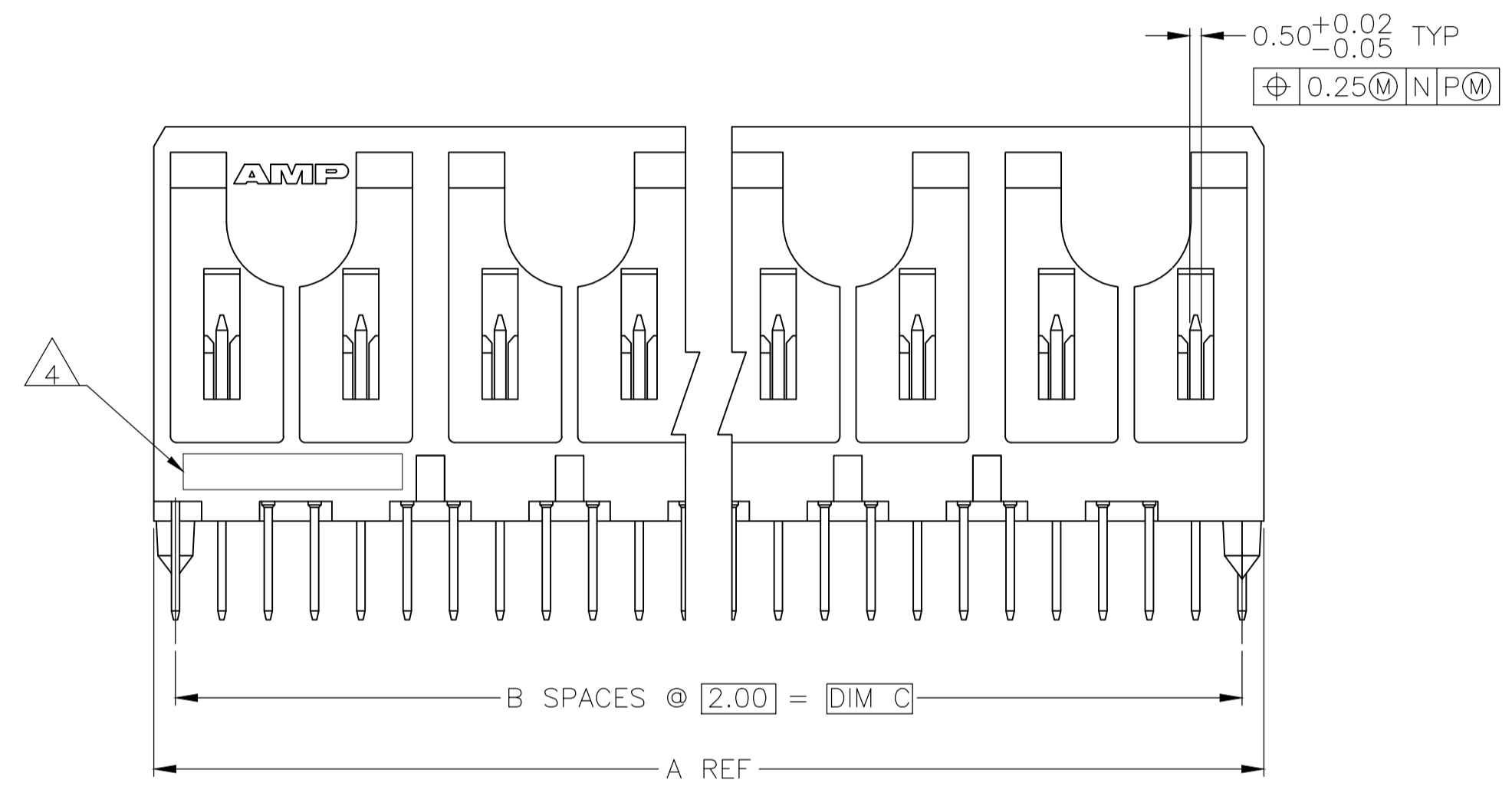
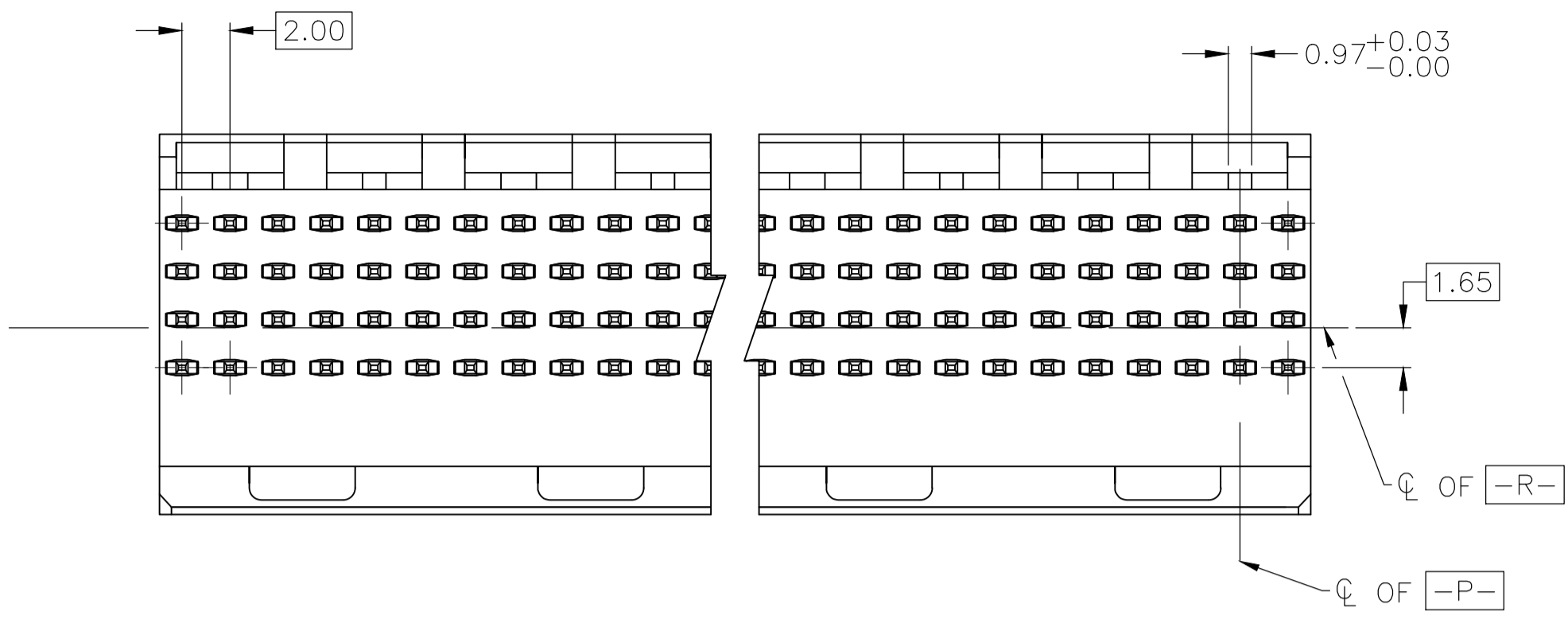
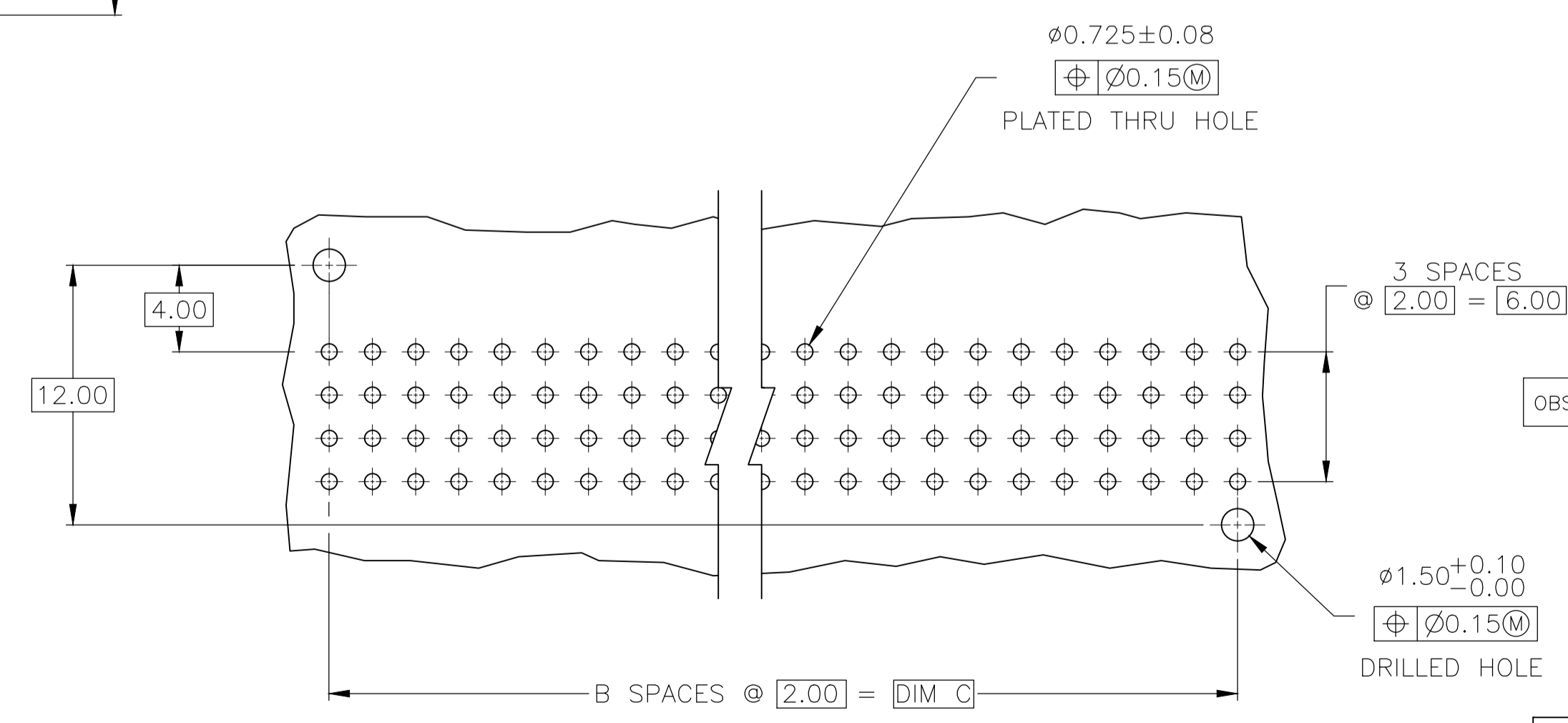
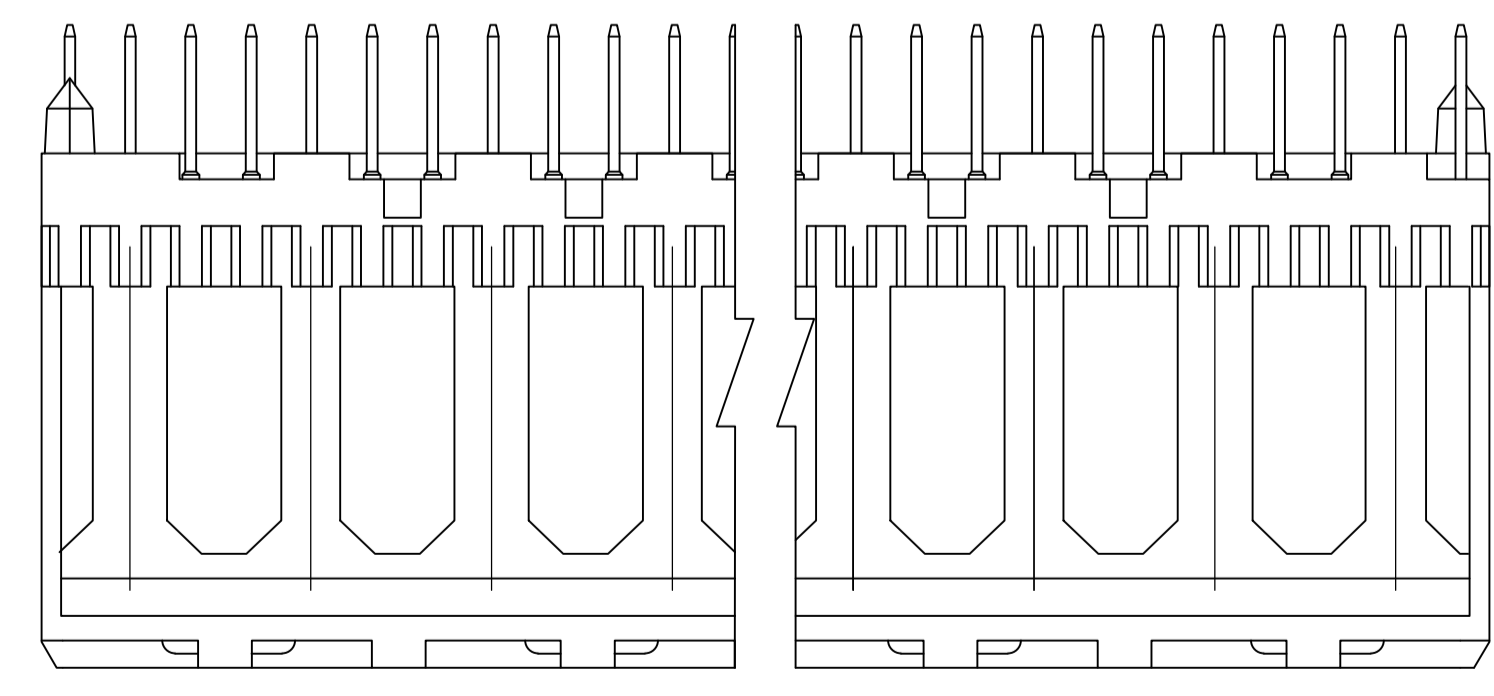
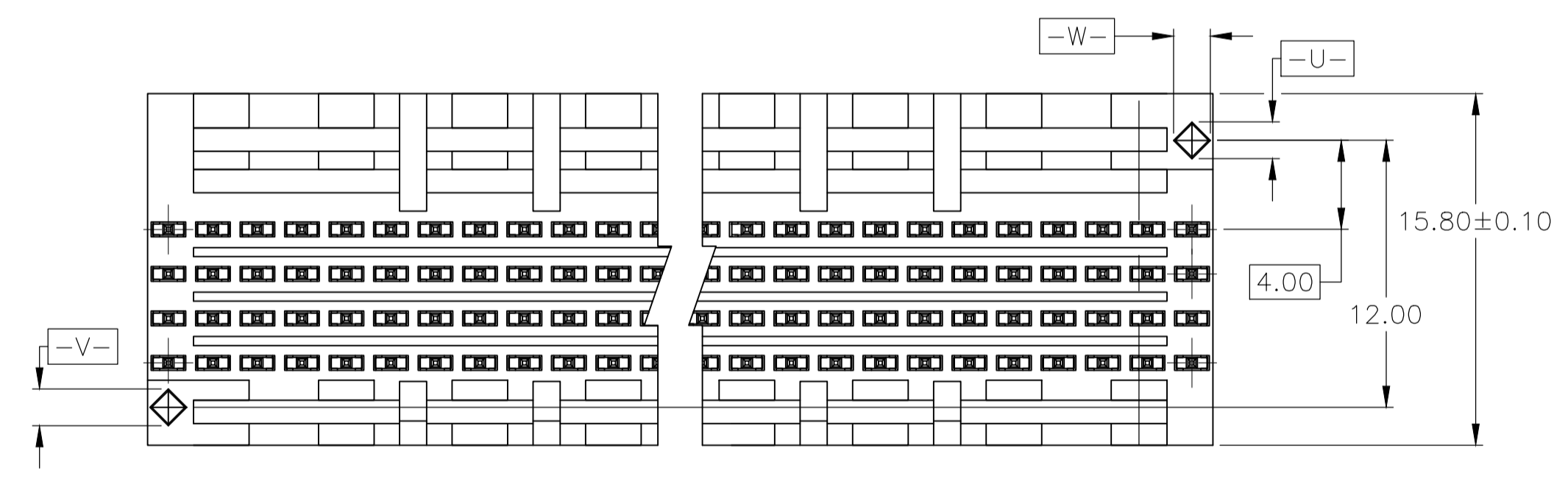
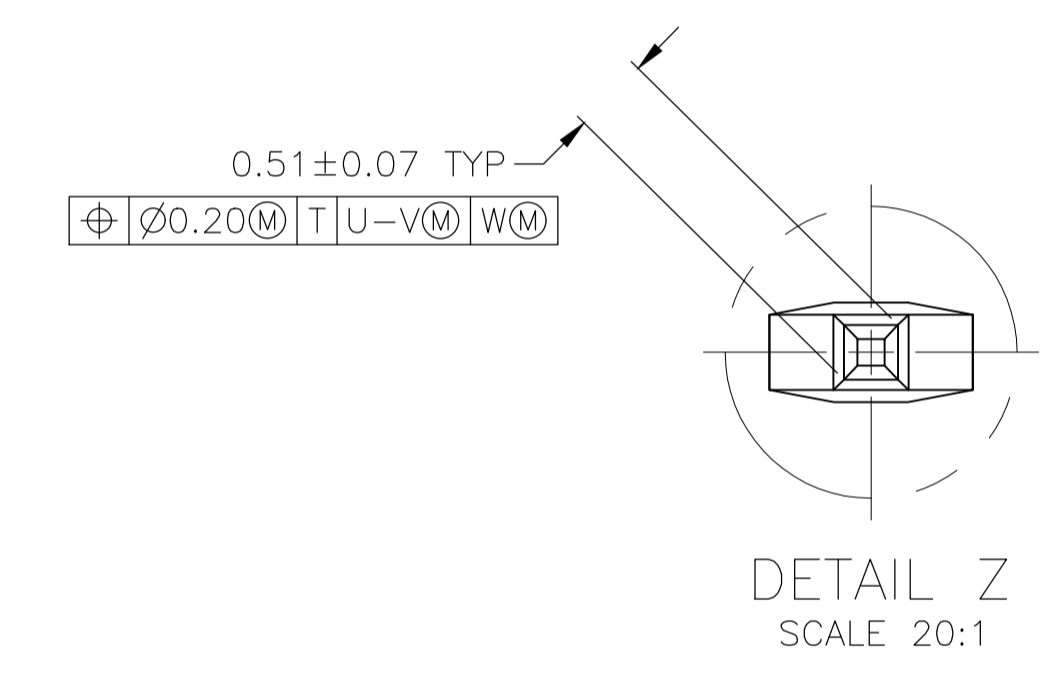


REVISIONS					
P	LTR	DESCRIPTION	DATE	DMN	APVD
A		REVISED PER ECO-20-013368	28SEP2020	RZ	HL



- 1 HOUSING MATERIAL: LIQUID CRYSTAL POLYMER PER ASTM D5138 LCP000 G30A 32250.
- 2 CONTACT MATERIAL: PHOSPHOR BRONZE.
- 3 CONTACT FINISH:
 UNDERPLATE (ENTIRE CONTACT):
 0.00127 MIN NICKEL PER SAE-AMS-QQ-N-290.
 ON MATING SURFACES:
 CONFORMS TO ALL TESTING SPECIFIED FOR TELCORDIA UNCONTROLLED ENVIRONMENT.
 ON LEADS:
 0.00381 MIN TIN PER ASTM B 545 OVER UNDERPLATE.
 LUBRICATION (MIN MATING SURFACES):
 SURFACE CONDITIONER AFTER PLATING.
- 4 PART MARKING, LOCATED APPROXIMATELY AS SHOWN.
- 5 CONTACT FINISH:
 UNDERPLATE (ENTIRE CONTACT):
 0.00127 MIN NICKEL PER SAE-AMS-QQ-N-290.
 ON MATING SURFACES:
 CONFORMS TO ALL TESTING SPECIFIED FOR TELCORDIA UNCONTROLLED ENVIRONMENT.
 ON LEADS:
 FLASH GOLD PER ASTM B 488 OVER UNDERPLATE.
 LUBRICATION (MIN MATING SURFACES):
 SURFACE CONDITIONER AFTER PLATING.



4.25	70.00	35	71.88	5	144	5536513-9	
4.25	94.00	47	95.88	5	192	5536513-8	
4.25	46.00	23	47.88	5	96	5536513-7	
4.25	22.00	11	23.88	5	48	5536513-6	
OBsolete	4.25	70.00	35	71.88	3	144	5536513-5
	4.25	94.00	47	95.88	3	192	5536513-4
	4.25	46.00	23	47.88	3	96	5536513-3
	4.25	22.00	11	23.88	3	48	5536513-2
	4.25	10.00	5	11.88	3	24	5536513-1
	D	C	B	A	FINISH	NO OF POSN	NUMBER

RECOMMENDED CIRCUIT PATTERN
 PER IPC-D300 TYPE II, CLASS C
 (COMPONENT SIDE)

THIS DRAWING IS A CONTROLLED DOCUMENT.

DIMENSIONS:	TOLERANCES UNLESS OTHERWISE SPECIFIED:	DIN B1 MCMASSTER 31AUG04	31AUG04	TE Connectivity
mm	0 PLC ± -	DR R WERTZ 31AUG04	NAME	PIN ASSY SIGNAL MODULE Z-PACK 2mm FB
	1 PLC ± -	DR R WERTZ 31AUG04	PRODUCT SPEC	2mm 4R 5.00mm MATING LENGTH
	2 PLC ± -0.13		APPLICATION SPEC	SOLDER END
	3 PLC ± -		SIZE	CAGE CODE DRAWING NO
	4 PLC ± -		WEIGHT	0.000000 A1 00779 C=5536513
	ANGLES ± -		CUSTOMER DRAWING	SCALE 4:1 SHEET 1 OF 1 REV A