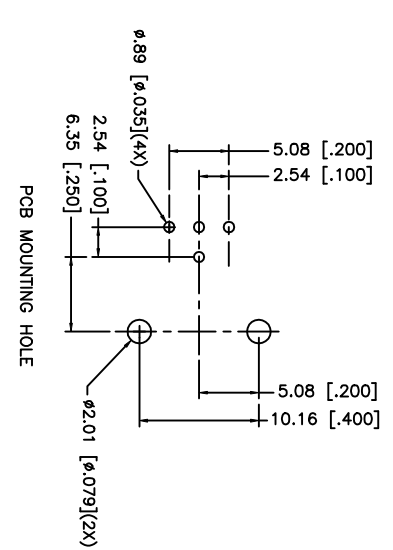
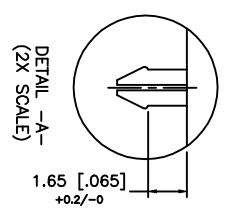
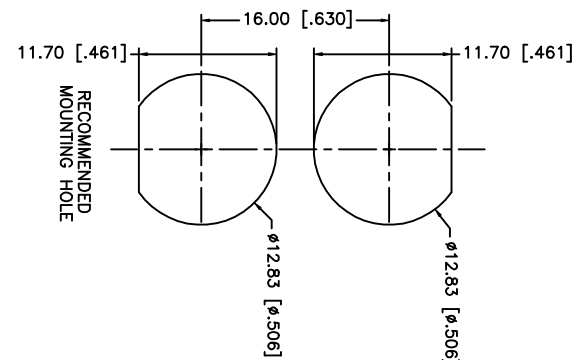
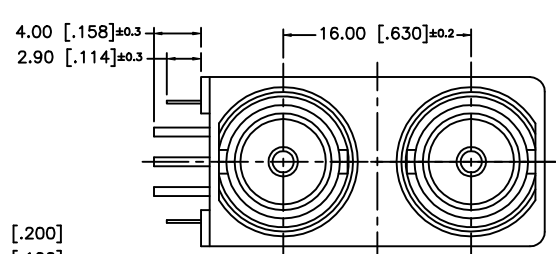
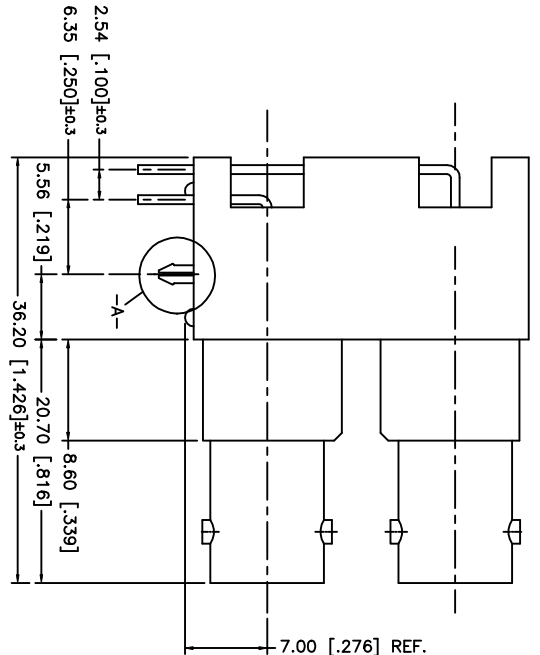
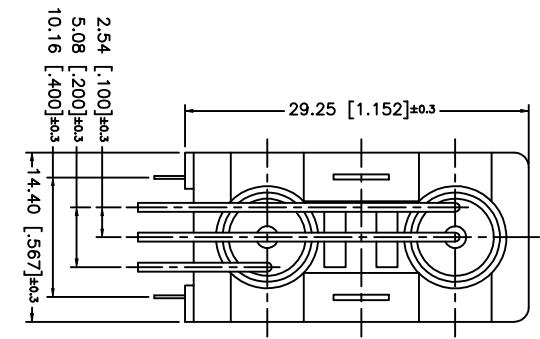


REV.	DATE	DESCRIPTION
NC	04/11/02	INITIAL RELEASE



8	MATING POST	BRASS	BRT. TIN
7	POST	COPPER	BRT. TIN
6	POST	COPPER	BRT. TIN
5	HOUSING	PBT	WHITE
4	CONTACT PIN	BER. COPPER	BRT. TIN
3	CONTACT PIN	BER. COPPER	BRT. TIN
2	INSULATOR	POLY PRO	NATURAL
1	BODY	ZINC DIE CAST	NICKEL
	DESCRIPTION	MATERIAL	FINISH

UNLESS OTHERWISE SPECIFIED DIMENSIONS ARE IN MILLIMETERS
 DIMENSIONS IN [] ARE IN INCHES FOR CUSTOMER REFERENCE ONLY

UNLESS OTHERWISE SPECIFIED TOLERANCES FOR INCHES ARE:
 .XXX = ± 0.005"
 .XX = ± 0.010"
 X = ± 0.020"

APPROVALS		DATE
DRAWN	G.R.S.	04/11/02
CHECKED		
ISSUED		

Amphenol - Connex
 CONNECTOR CORPORATION

DUAL PORT BNC R/A PCB
 MOUNT RECEPTACLE - WHITE 50ohm

SIZE: A
 FSQM NO.: 99001
 DWG. NO.: 112704.DWG
 SCALE: NA
 PART NO.: 112704
 SHEET: 1 OF 1