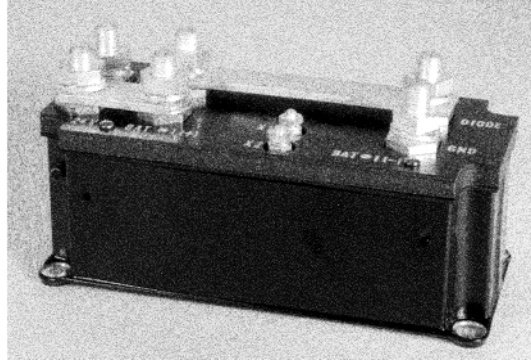


## A-848 Series, Rated up to 300 Amps, 24/48 Vdc

### Product Facts

- SPST NO, DPST NC, Double break
- Gasket sealed
- Meets many requirements of MIL-PRF-6106
- Designed for series/parallel starting systems



### Performance Data

#### Electrical Characteristics

**Contact Arrangement** — SPST NO, DPST NC, Double Break

**Rated Operating Voltage** — 24/48 Vdc

**Resistive Rating** — 300 Amps

**Inrush for 30 sec** — 1,100 Amps

**Inrush** — 700 Amps

#### General Characteristics

**Temperature Range** — -55°C to +71°C

**Operating Cycles (Life) at Rated Resistive Load, Min.** — 50,000 cycles

**Operating Cycles (Life) Mechanical, Min.** — 100,000 cycles

**Dielectric Strength** — All Circuits to Ground — 1,250 Vrms  
Circuit to Circuit — 1,250 Vrms  
Coil to Ground and Aux. Contacts — 1,000 Vrms

**Weight** — 3.5 lbs

#### Coil Characteristics

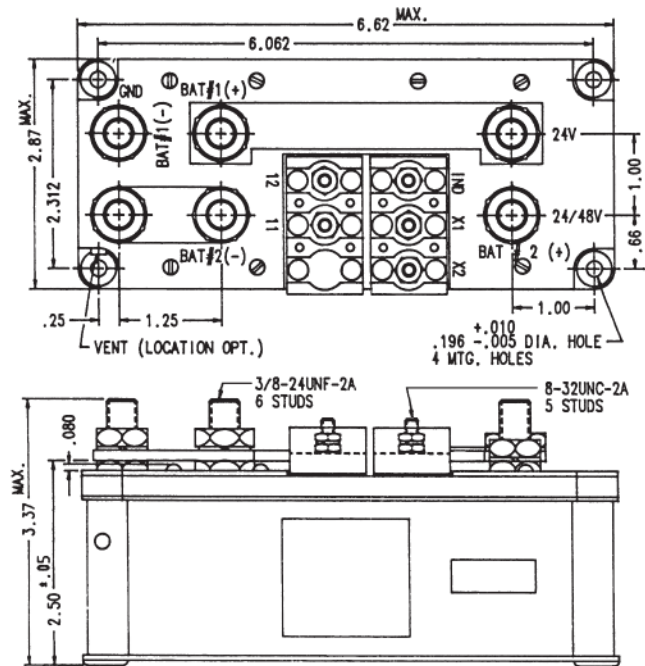
**Duty Cycle** — Intermittent

**Operating Voltage, Max.** — 31 Vdc

**Operating Voltage, Min.** — 18 Vdc

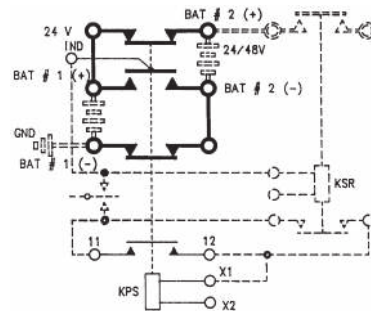
**Pickup Voltage @ 25°C, Max., Initial** — 12 Vdc

**Dropout Voltage** — 1.5 to 7 Vdc



Mounting Style A

**Circuit Configurations** (Consult factory for other available circuit configurations)



Circuit Configuration 1

HARTMAN Part Number	Construction Type	Mounting Style	Coil Type	Circuit Config.	TE Part Number
A-848KH	Gasket/Vented	A	Intermittent	1	1616082-2
A-848KH-2	Gasket/Vented	A	Intermittent	1	1616082-4

For factory-direct application assistance, phone 419-521-9500 or fax 419-526-2749.

## A-848 Series, Rated up to 300 Amps, 28 Vdc

### Product Facts

- DPST NO, Double break and DPDT Double break
- Gasket sealed
- Auxiliary contacts available
- Meets many requirements of MIL-PRF-6106



### Performance Data

#### Electrical Characteristics

**Contact Arrangement** —  
 A-848MAS/MLS: DPST NO, Double Break  
 A-848KLC: DPDT Double Break  
**Rated Operating Voltage** —  
 28 Vdc  
**Resistive Rating** — 300 Amps,  
 A-848KLC – 200 Amps

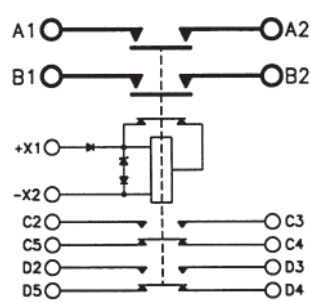
#### General Characteristics

**Temperature Range** —  
 -55°C to +71°C  
**Operating Cycles (Life) at Rated Resistive Load, Min.** — 50,000 cycles  
**Operating Cycles (Life) Mechanical, Min.** — 100,000 cycles  
**Dielectric Strength** —  
 All Circuits to Ground — 1,250 Vrms  
 Circuit to Circuit — 1,250 Vrms  
 Coil to Ground and Aux. Contacts — 1,000 Vrms  
**Weight** — 3.00 lbs

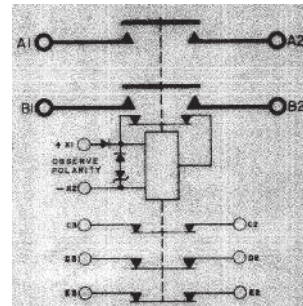
#### Coil Characteristics

**Duty Cycle** — Continuous  
**Operating Voltage, Nom.** — 28 Vdc  
**Pickup Voltage, Max.** — 18 Vdc  
**Dropout Voltage** — 9 Vdc (12 Vdc Hot)  
**Coil Current, Inrush, Max.** — 3.0 Amp  
**Coil Current, Holding, Max.** — 0.35 Amp

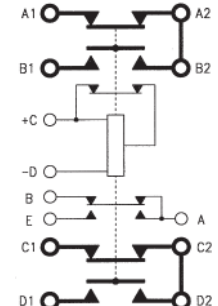
### Circuit Configurations (Consult factory for other available circuit configurations)



Circuit Configuration 1



Circuit Configuration 2

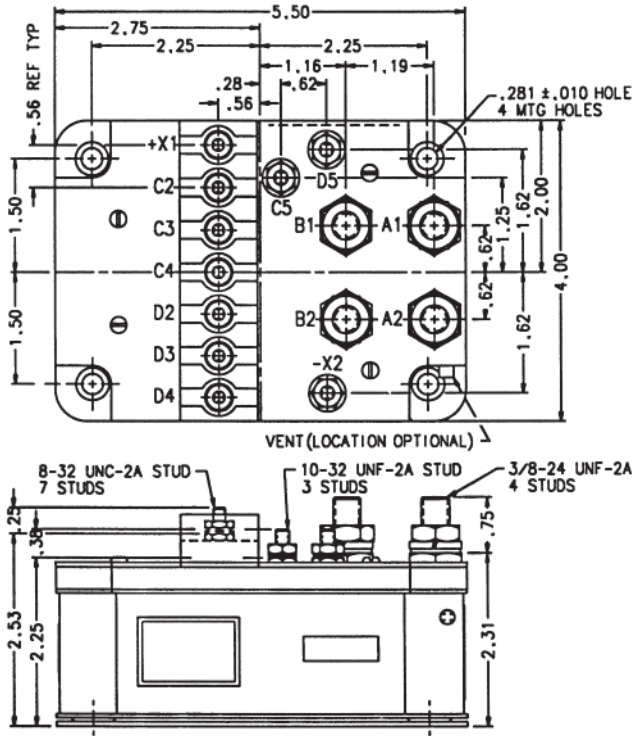


Circuit Configuration 3

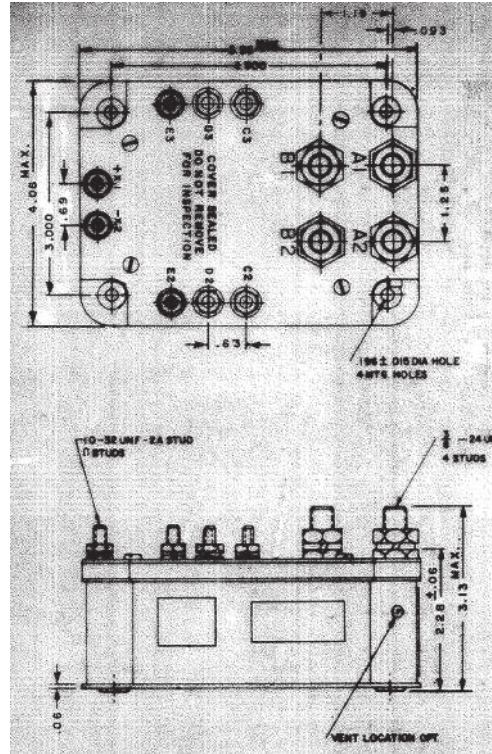
HARTMAN Part Number	Construction Type	Mounting Style	Coil Type	Circuit Config.	TE Part Number
A-848MAS	Gasket/Vented	A	Continuous w/Supp., Economizing	1	1616102-2
A-848MLS	Gasket/Vented	B	Continuous w/Supp., Economizing	2	1616102-3
A-848KLC	Gasket/Vented	C	Continuous, Economizing	3	1616082-6

For factory-direct application assistance, phone 419-521-9500 or fax 419-526-2749.

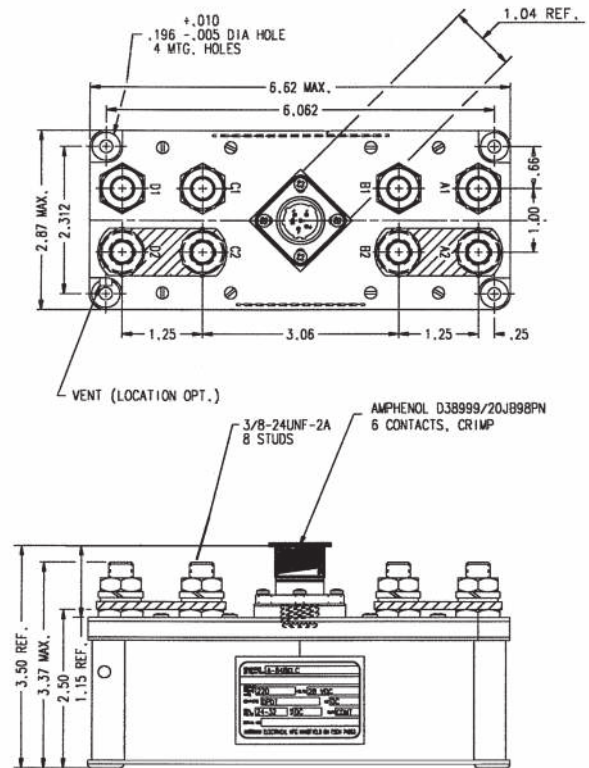
**A-48 Series, Rated up to 300 Amps, 28 Vdc** (Continued)



Mounting Style A



Mounting Style B



Mounting Style C

For factory-direct application assistance, phone 419-521-9500 or fax 419-526-2749.