

## D-SUB contact support - VS-09-BU-DSUB-2P-LH - 1655289

Please be informed that the data shown in this PDF Document is generated from our Online Catalog. Please find the complete data in the user's documentation. Our General Terms of Use for Downloads are valid (<http://phoenixcontact.com/download>)

D-SUB contact carrier, shell size 1, accommodation for two combined contacts, contact type socket, fixing with 4-40 UNC thread and solder pins, for panel mounting frame VS-09-...



### Key commercial data

|                                      |           |
|--------------------------------------|-----------|
| Packing unit                         | 1 pc      |
| Minimum order quantity               | 10 pc     |
| Weight per Piece (excluding packing) | 10.09 GRM |
| Custom tariff number                 | 85366990  |
| Country of origin                    | Germany   |

### Technical data

#### Mechanical characteristics

|                             |                                    |
|-----------------------------|------------------------------------|
| Number of positions         | 2                                  |
| Insertion/withdrawal cycles | ≥ 500                              |
| Connection method           | Fitting to accept combined contact |

#### Ambient conditions

|                                 |                   |
|---------------------------------|-------------------|
| Ambient temperature (operation) | -55 °C ... 125 °C |
|---------------------------------|-------------------|

#### Material data

|   |                         |
|---|-------------------------|
| Inflammability class according to UL 94 | V0                      |
| Housing material                        | Steel, yellow chromated |
| Contact carrier material                | PBTP                    |
| Contact surface material                | Gold over nickel        |

## D-SUB contact support - VS-09-BU-DSUB-2P-LH - 1655289

### Classifications

#### eCl@ss

|            |          |
|------------|----------|
| eCl@ss 4.0 | 27140816 |
| eCl@ss 4.1 | 27260701 |
| eCl@ss 5.0 | 27260701 |
| eCl@ss 5.1 | 27260701 |
| eCl@ss 6.0 | 27260705 |
| eCl@ss 7.0 | 27440309 |
| eCl@ss 8.0 | 27440309 |

#### ETIM

|          |          |
|----------|----------|
| ETIM 2.0 | EC000438 |
| ETIM 3.0 | EC000438 |
| ETIM 4.0 | EC000438 |
| ETIM 5.0 | EC000438 |

#### UNSPSC

|               |          |
|---------------|----------|
| UNSPSC 6.01   | 30211923 |
| UNSPSC 7.0901 | 39121522 |
| UNSPSC 11     | 39121522 |
| UNSPSC 12.01  | 39121522 |
| UNSPSC 13.2   | 39121522 |

### Approvals

#### Approvals

---

Approvals

GOST

---

Ex Approvals

---

Approvals submitted

---

Approval details

# D-SUB contact support - VS-09-BU-DSUB-2P-LH - 1655289

## Approvals

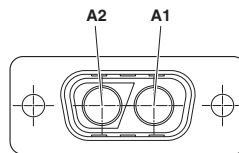


## Drawings

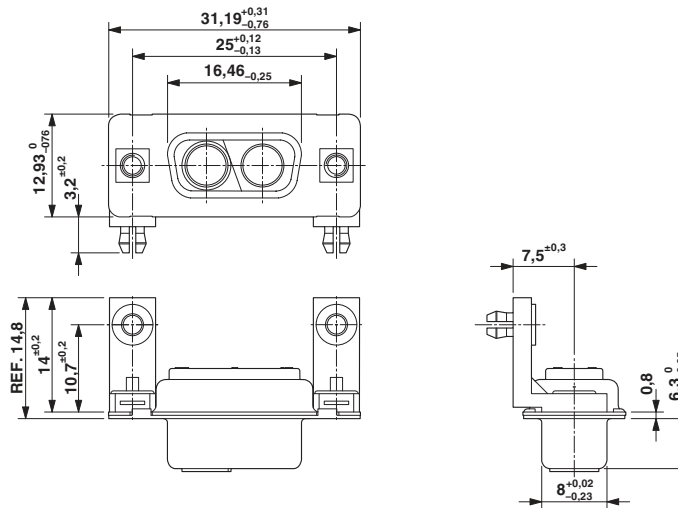
Drilling  
diagram

Schematic diagram

Drilling  
diagram



Dimensioned drawing



D-SUB contact carrier