



Copyright FCI.

A

B

C

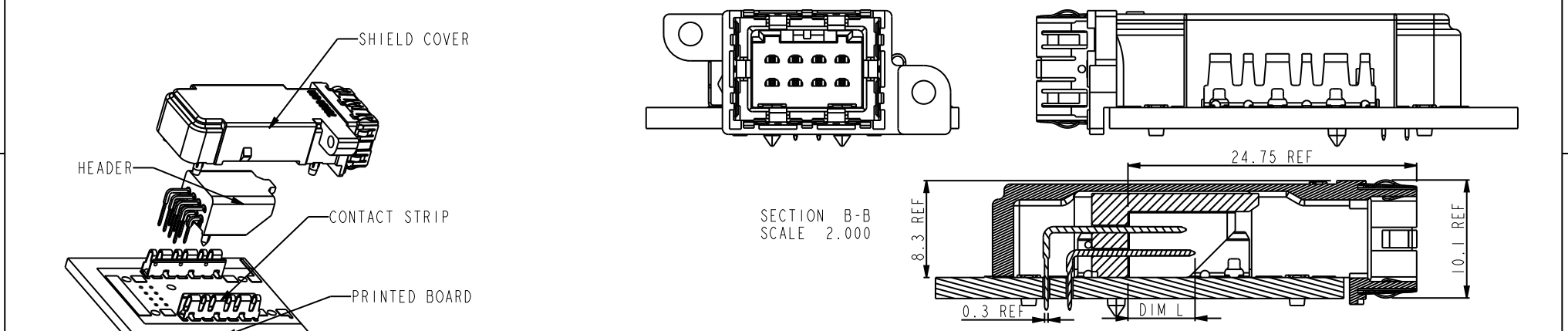
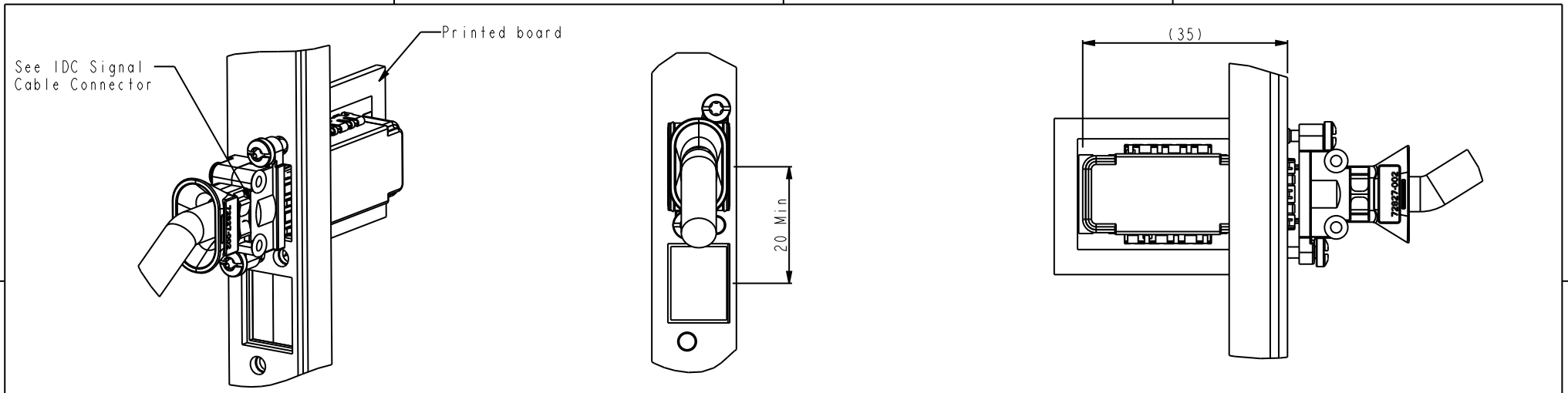
D

A

B

C

D



Performance Level	
72845-10XLF	Telcordia Co
72845-20XLF	Telcordia Co

ROHS INFORMATION:

- This product meets European Union Directives and other country regulations as described in GS-22-008.
- The housing will withstand exposure to 260°C peak temperature for 5 second in a wave solder application with a 1.6 mm minimum thick circuit board. see application notes/procedures if they are available.
- Packaging spec: see GS-14-920

PRODUCT SPECIFICATION: 1301 PRV 431
 PACKAGING SPECIFICATION: EUR-14-010
 APPLICATION SPECIFICATION: 1510 RPV 431
 MATERIAL

1. HEADER HOUSING..... LIQUID CRYSTAL POLYMER 30% GLASS FLAME RETARDANT ACC. UL 94-V0
2. COVER..... ZINC ALLOY
3. TERMINAL..... TINBRONZE
4. GROUND SPRING..... STAINLESS STEEL
5. CONTACT STRIP..... STAINLESS STEEL

NOTE:
 1. PCB THICKNESS: 1.4-2.4MM
 2. ROHS INFORMATION: SEE SHEET 2

rev	ecn no	dr	date
U	LS07-0255	JTA	2007/11/12
V	N09-0372	SH	2009/12/09
-	-	-	-
-	-	-	-
-	-	-	-
-	-	-	-

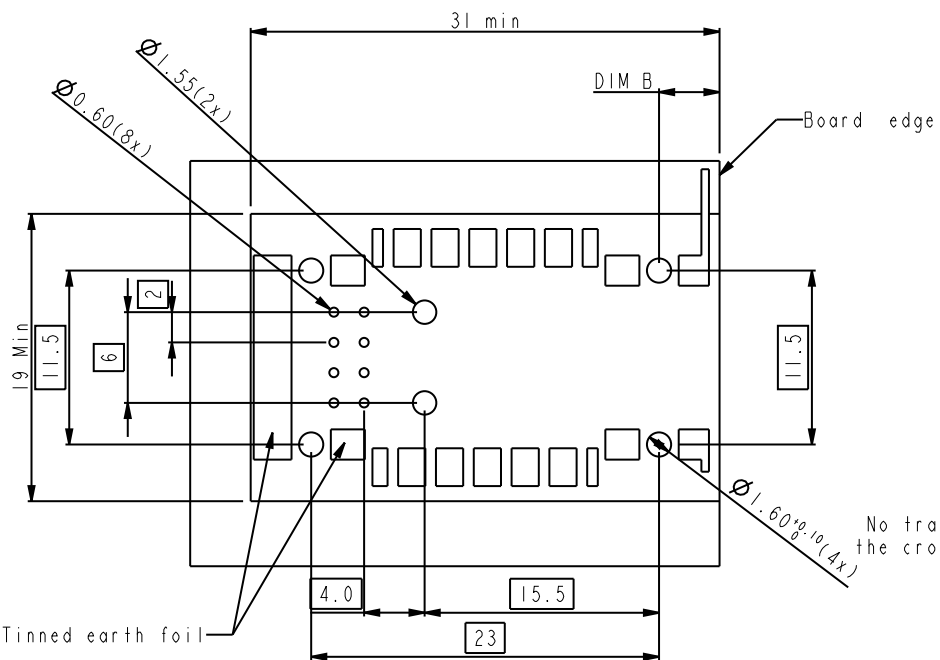
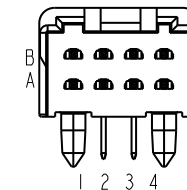
www.fciconnect.com		surface	tolerance std	projection	mm
		ISO 1302	ISO 406 ISO 1101		
		TOLERANCES UNLESS OTHERWISE SPECIFIED			
Dr	B.Beirinckx	2002/06/30	ANGULAR	size	Scale
Eng	G. Nys	2002/06/30	LINEAR	A4	1.000
Chr	W.panis	2002/06/30	0° ±2°	0.x ±0.3	0.xx ±0.1
Appr	W.panis	2002/06/30	0.xxx ±0.05	ECN	Change_This
			Product family	Change_This	Spec ref
		title	SOF I X SHIELDED I/O STB		dwg no
		Change_This			72845-C
		catalog no			Rev.
					V
					sheet 1 of 4

LEAD-FREE PRODUCTS: (SEE NOTE 2)

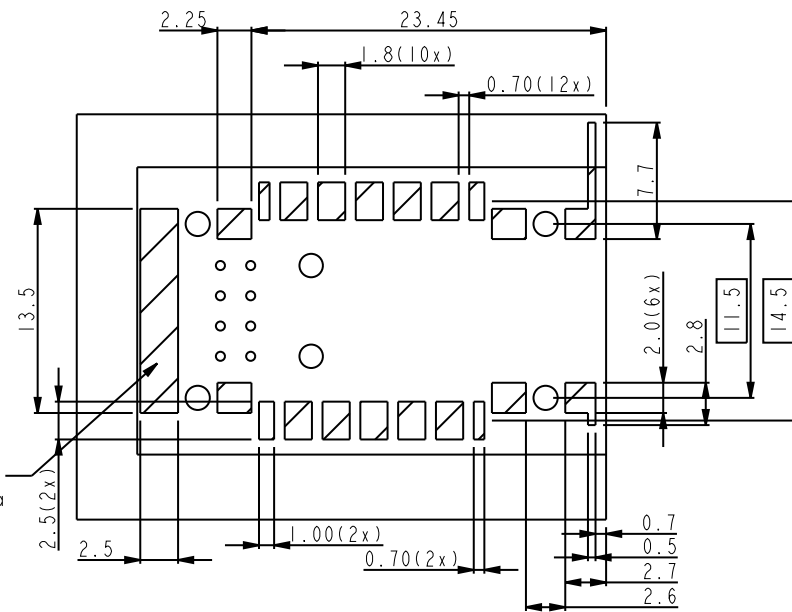
HEADER LOADING PATTERN

KIT	72845-X01LF	72845-X02LF	72845-X03LF
CONSIST OF:			
SHIELD COVER	1	1	1
CONTACT STRIP	2	2	2
HEADER	1		
HEADER		1	
HEADER			1

PRODUCT NO.	MATING LENGTH DIMENSION L
72830-X01LF	ROW B: 5.00 ROW A: 5.75
72830-X02LF	ROW B: POS1 AND POS2=5.00 ROW B: POS3 AND POS4=5.75 ROW A: 5.75
72830-X03LF	ROW B: 5.75 ROW A: POS1 AND POS2=5.00 ROW A: POS3 AND POS4=5.75



No tracks allowed in the cross-hatched area

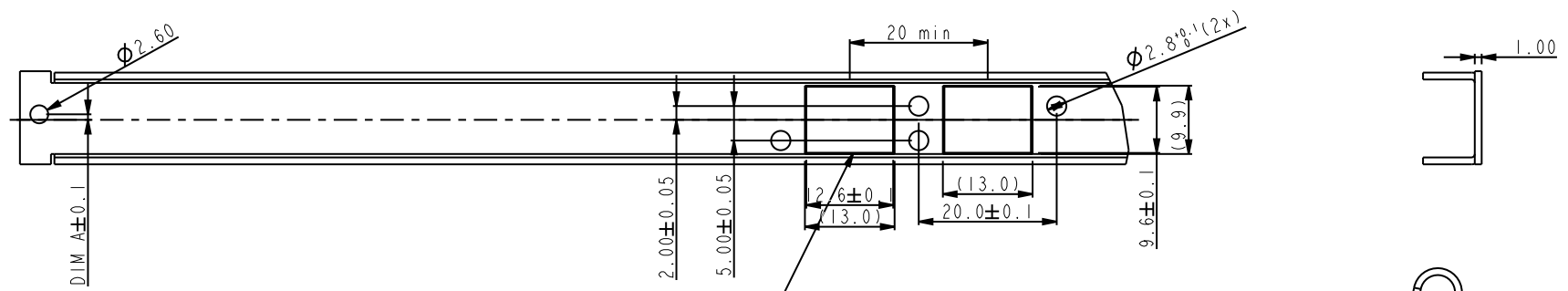


www.fciconnect.com		surface 0.8 ISO 1302	tolerance std ISO 406 ISO 1101	projection mm
		TOLERANCES UNLESS OTHERWISE SPECIFIED		
Dr B.Beirinckx	2002/06/30	ANGULAR	0.x ±0.3	size A4
Eng G. Nys	2002/06/30	LINEAR	0.xx ±0.1	Scale 1.000
Chr W. panis	2002/06/30	0° ±2°	0.xxx ±0.05	ECN LS07-0195
Appr W. panis	2002/06/30	Product family METRAL SOFIX		Spec ref
		title SOFIX SHIELDED I/O STB Shielded Header 8 pos.		dwg no 72845-C Rev. V
catalog no				sheet 2 of 4



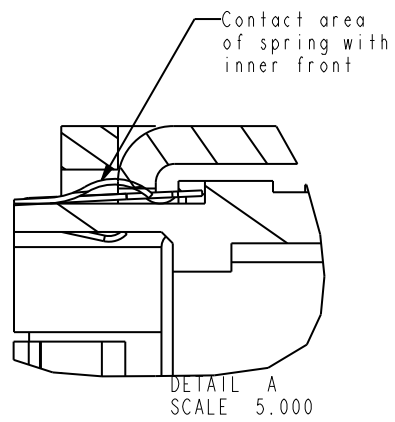
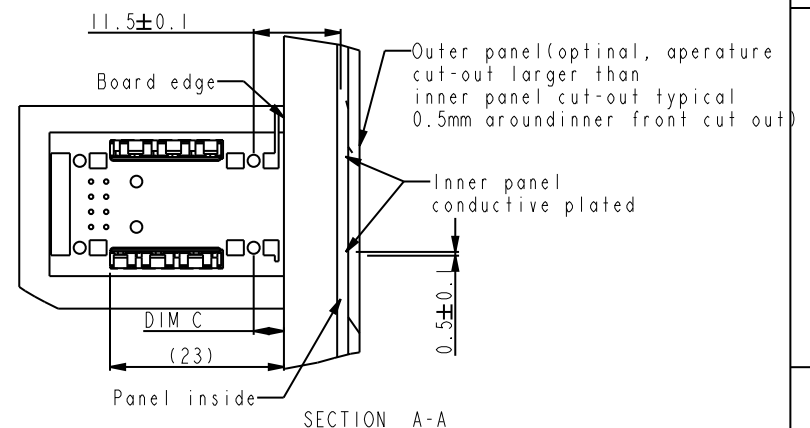
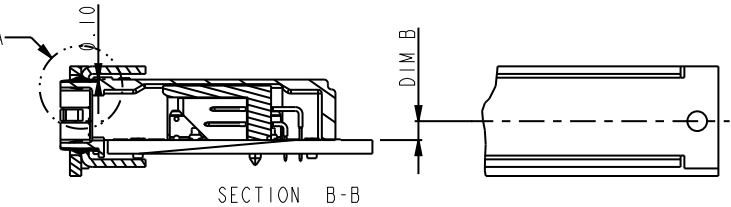
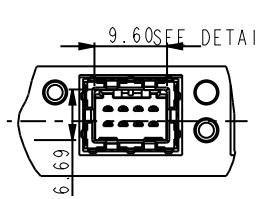
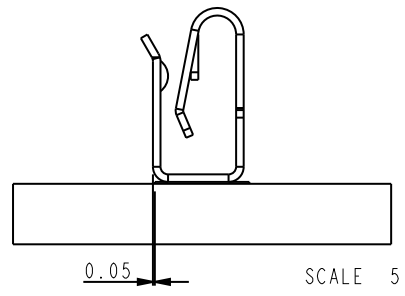
Copyright FCI.

FRONT PANEL



BUILDING PRACTICE	DIM A	DIM B	DIM C
IEC 60917-2-2	0.8	2.5	4.0
IEC 6029-3(19")	0.76	2.54	3.96

surface used by groundspring
conductive tin plated

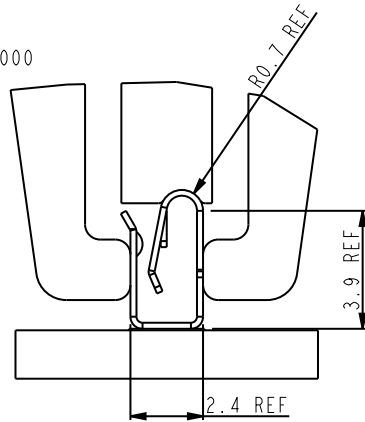


www.fciconnect.com		surface 0.8 ISO 1302	tolerance std ISO 406 ISO 1101	projection mm
		TOLERANCES UNLESS OTHERWISE SPECIFIED		←→
Dr	B. Beirinckx	2002/06/30	ANGULAR	size A4
Eng	G. Nys	2002/06/30	LINEAR	Scale 1.000
Chr	W. panis	2002/06/30	0° ±2°	ECN LS07-0195
Appr	W. panis	2002/06/30	Product family	Spec ref
		title SOFIX SHIELDED I/O STB Shielded Header 8 pos.		dwg no 72845-C Rev. V
		catalog no		sheet 3 of 4

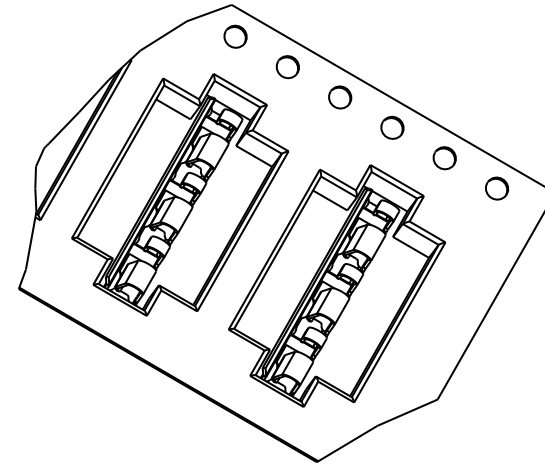


Copyright FCI.

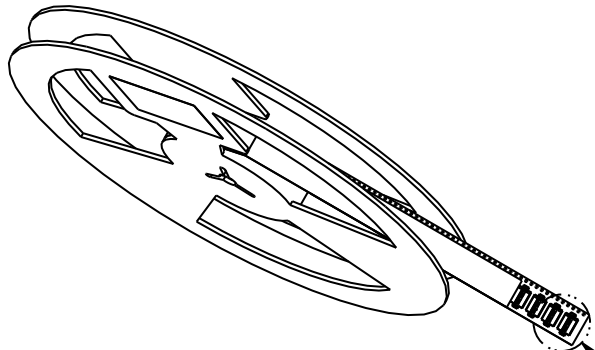
SCALE 4.000



Principle design for a gripper in pick and place equipment to place P/N 72815-001 on printed board.

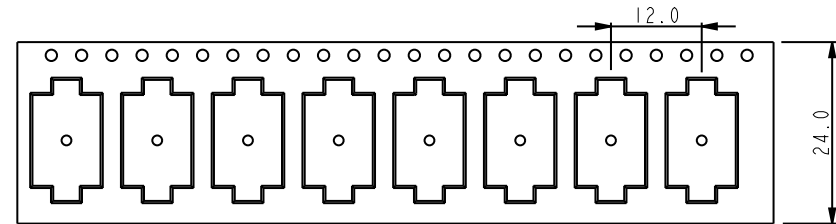


DETAIL B
SCALE 2.000



SCALE 0.200

SEE DETAIL B



www.fciconnect.com		surface -	tolerance std	projection	mm
		ISO 1302 ✓	ISO 406 ISO 1101	⊕	↔
		TOLERANCES UNLESS OTHERWISE SPECIFIED			
Dr	2002/06/30	ANGULAR	0.X ±0.3	size A4	Scale 1.000
Eng	G. Nys 2002/06/30	LINEAR	0.XX ±0.1		
Chr	W. panis 2002/06/30	0° ±2°	0.XXX ±0.05	ECN	
Appr	W. panis 2002/06/30	Product family	-	Spec ref	
FCI		title -	dwg no 72845-C	Rev. V	
		catalog no -			sheet 4 of 4



Copyright FCI.