

■ Features

- Single output to 6W
- 100-240Vac Universal Input
- Safety standard: UL/cUL60950, EN60950, LVD, & CE
- Frequency: 47-63Hz
- Ripple: 100mVp-p
- OVP, SCP, and Overload protection
- Efficiency Level: VI
- Available Plug types: US, EU, AU, UK, KC, CN plug
- Dimension: 59x23.5x50.2mm(exclude plug)



*Product images are for illustrative purposes only and may vary from actual design.

■ Application

- Consumer electronics, Telecom and office equipment
- Industrial equipment

■ Model List

Custom Designs Available!

| Model | Output Voltage | Output Current | Power | Certifications |
|------------------|----------------|----------------|-------|--------------------|
| WM06P6-030I-X-XX | 3V | 2A | 6W | UL, cUL, LVD, & CE |
| WM06P6-050I-X-XX | 5V | 1.2A | 6W | UL, cUL, LVD, & CE |
| WM06P6-060I-X-XX | 6V | 1A | 6W | UL, cUL, LVD, & CE |
| WM06P6-070I-X-XX | 7V | 0.85A | 6W | UL, cUL, LVD, & CE |
| WM06P6-090I-X-XX | 9V | 0.6A | 6W | UL, cUL, LVD, & CE |
| WM06P6-120I-X-XX | 12V | 0.5A | 6W | UL, cUL, LVD, & CE |
| WM06P6-150I-X-XX | 15V | 0.4A | 6W | UL, cUL, LVD, & CE |
| WM06P6-180I-X-XX | 18V | 0.33A | 6W | UL, cUL, LVD, & CE |
| WM06P6-240I-X-XX | 24V | 0.25A | 6W | UL, cUL, LVD, & CE |

■ Technical Data

| | |
|----------------------|---|
| Rated Voltage (1) | (3-24V) Available in 0.1V increments |
| Rated Power | 6W |
| Ripple & Noise (2) | 100mVp-p |
| Current Range | 1.2A |
| Total Regulation | +/- 5% |
| Overshoot/Undershoot | 10% |
| Turn On Delay (Max.) | 0.5-2s |
| Hold-up Time | 10ms @115Vac/60Hz max. load & 20ms @230Vac/50Hz |
| Rated Voltage | 100 ~ 240Vac (90-264Vac Operational) |
| Frequency Range | 47Hz ~ 63Hz |

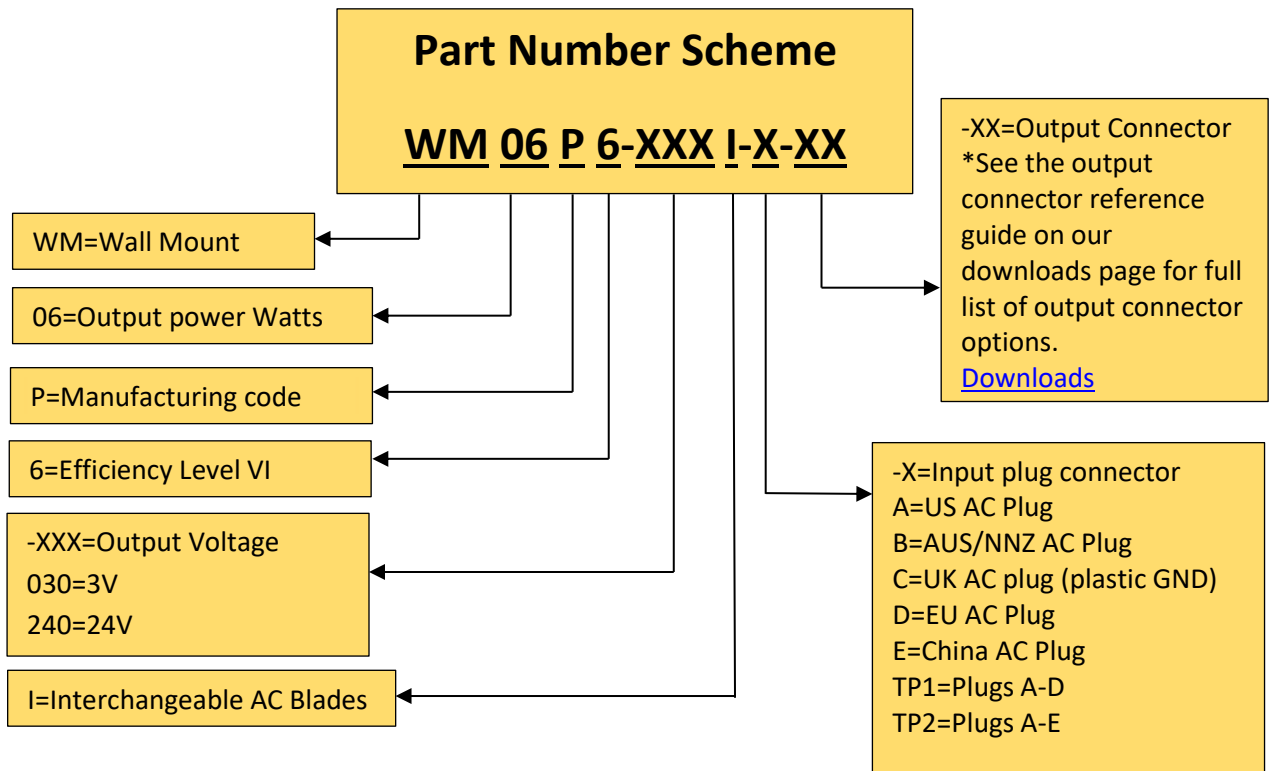
1. Output voltage tolerance +/-5%
2. Max., Measuring is done by 20MHz bandwidth oscilloscope and terminated each output with a 22uF aluminum electrolytic capacitor and a 0.1uF ceramic capacitor. Full load, 25C ambient temperature at 115Vac and 230 Vac.

■ **Technical Data(cont.)**

| | |
|-------------------------------|---|
| Efficiency | ~86% |
| Inrush Current | 20A @230Vac input 25°C Cold Start |
| AC Current (Typ.) | 0.2A / 100-240Vac |
| Short Circuit | Hiccup mode, no damage shall occur and the power supply shall restart when the fault condition is removed |
| Over Voltage | Latch mode, recycle AC to restart power supply |
| Overload | Hiccup mode, at 150% (Max.) rated load and the power supply shall restart when the fault condition is removed |
| Temperature Range Operational | 0°C ~ 40°C |
| Temperature Range Storage | - 20°C ~ +70°C |
| Humidity Operational | 20% ~90% R.H |
| Humidity Storage | 20% ~90% R.H |
| MTBF | >50,000 hours (Measured at 110Vac input, 100% Load and 25°C ambient temperature) |
| Burn-in | 4 Hours (Min.) at 40C (+/-5%) at full load with cycling |
| Dimension (L*W*H) | 58.5×23.5×50.2mm (+/-0.5mm) – 2.3×0.92×1.97 inch (US Design) |
| Weight | 125g |
| RoHS | Complies with EU Directive 2011/65/EU |
| WEEE | Complies with EU Directive 2002/96/EC |
| EISA 2007 | Complies with requirements for external power supplies. |
| EU | Complies with EU Code of Conduct on external power supplies |

■ **Safety and EMC**

| | |
|---------------------------|---|
| Safety Standards | UL/cUL60950, EN60950, LVD, & CE |
| No load Power Dissipation | < 0.1W |
| Insulation Resistance | Input to output: Min. 50M OHM at 500 VDC. |
| Dielectric Strength | Primary to Secondary: DC 4242V , 3.5mA Max , for 3 seconds |
| Conducted & Radiated EMI | EN 55022 Class B, CISPR22 Class B and FCC part 15 Class B |
| EMS | EN 61000-4-2, EN 61000-4-3, EN 61000-4-4, EN 61000-4-5, EN 61000-4-6, EN 61000-4-8, EN 61000-4-11 |



***Some Safety Agency Approvals may differ from what is shown. Contact Autec Sales!**

***Product images are for illustrative purposes only and may vary from actual design.**

***Specifications are subject to change without notice. Autec is not responsible for issues arising from errors or omissions.**