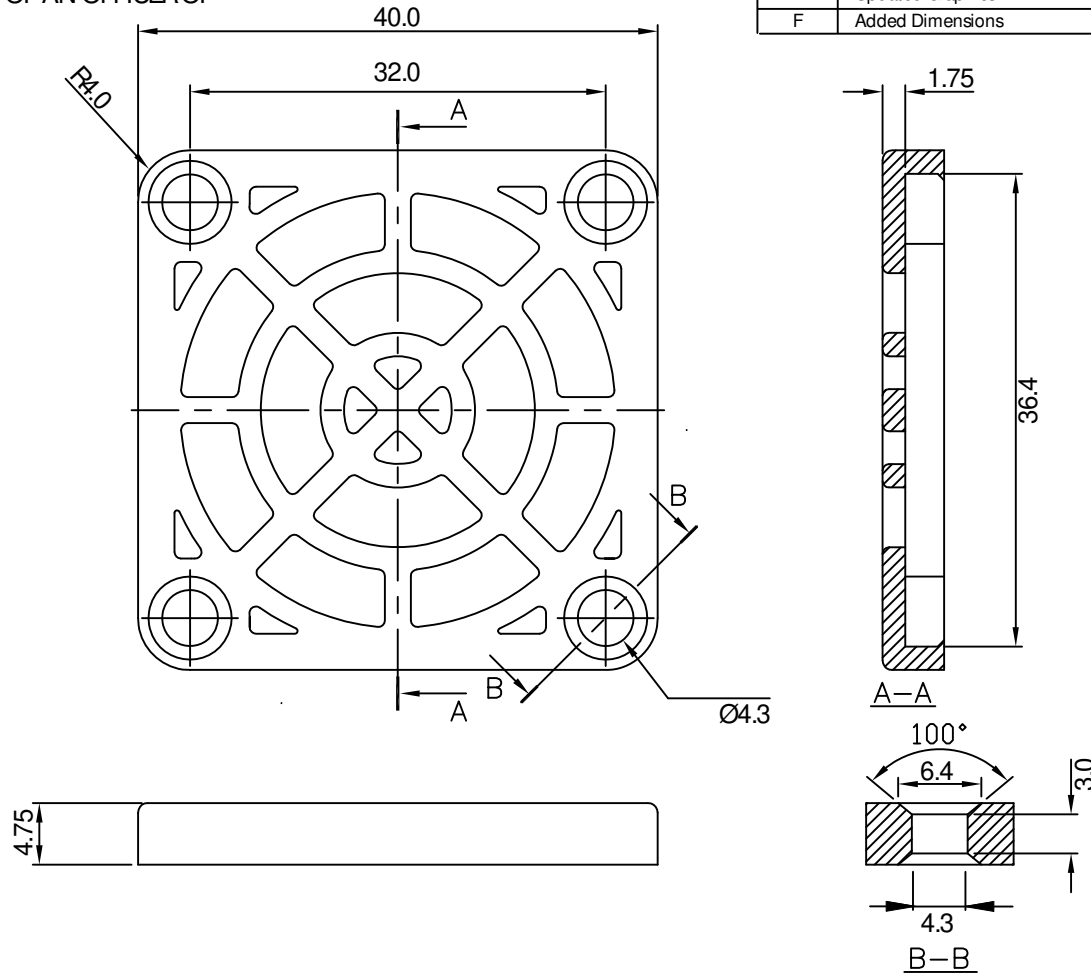


THESE DRAWINGS ARE THE PROPERTY OF QUALTEK ELECTRONICS AND NOT TO BE REPRODUCED FOR OR COMMUNICATED TO A THIRD PARTY WITHOUT THE EXPRESS WRITTEN PERMISSION OF AN OFFICER OF QUALTEK ELECTRONICS.

REVISION			
REV.	DESCRIPTION	DATE	APPROVED
B	FoHS Compliance	06-01-06	DP
C	Added Mounting Hole Dimensions	07-25-07	DP
D	Updated Specifications	01-23-08	DP
E	Updated Graphics	01-13-10	LY
F	Added Dimensions	03-09-21	LY



CONTROLLED

NOTES:

MATERIAL: PC 2805 UL94V-2
RoHS COMPLIANT

Dim range (mm)	Tolerance +/- (mm)	Qualtek Electronics Corp. FAN-SDIVISION		
		Part Number:	09150-G	RoHS Compliant
0-5	0.4	Description: PLASTIC FAN GUARD		
5-16	0.45		UNIT: mm	REV: F
16-64	0.45	Drawn / Date	Checked / Date	Approved / Date
64-250	0.45	B. ZHANG 04-19-04	04-19-04	JJH / 04-19-04
250-1000	0.50			
1000-1500	1.00			