

**Ratings**

Temperature: -40 to 70 °C  
Voltage: 150 V

**Conductor**

Gauge: 24 AWG 0.21 mm<sup>2</sup>  
Material: tinned copper strands  
Strand size:  $\varnothing 0.08 \times 41$   
Resistance at 20 °C: 95  $\Omega$  /km max

**Insulator**

Material: HDPE  
Color: gray, purple, orange, green, blue, yellow, white, black, red  
Diameter:  $\varnothing 1.05 \pm 0.10$  mm  
Nominal thickness: 0.15 mm  
Resistance at 20 °C: 1000 M $\Omega$  /km min

**Shield**

Type: spiral  
Material: tinned copper strands  
Stranding:  $\varnothing 0.08$  mm  
Coverage: 90 % min

**Outer jacket**

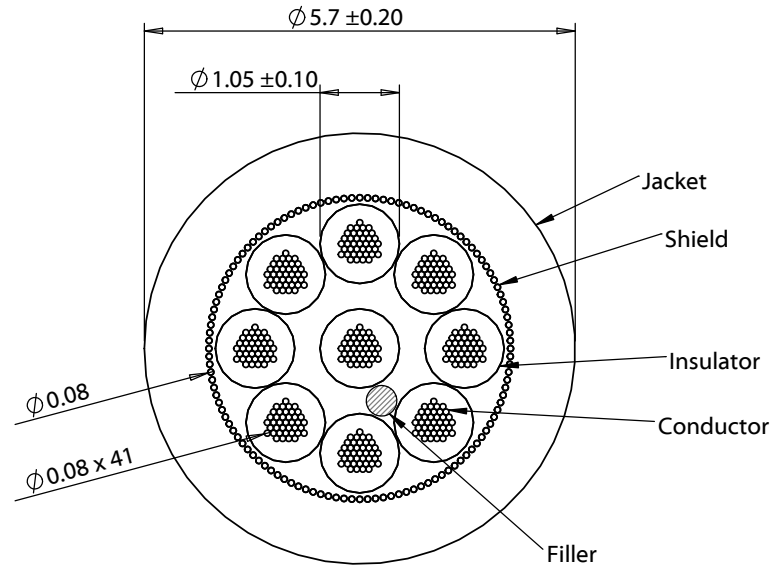
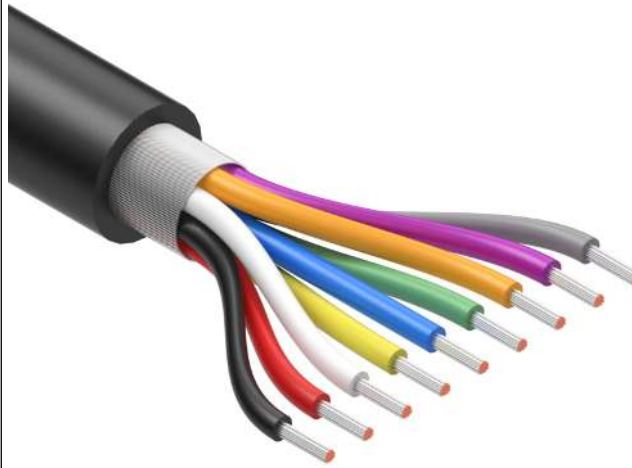
Material: TPU  
Color: black  
Nominal thickness: 0.50 mm  
Diameter:  $\varnothing 5.7 \pm 0.20$  mm

**Filler**

Material: aramid fiber

**Tests**

Tensile strength: 35.7 kgf  
Dielectric test: 1500 V dc for 1 minute without breakdown  
Bend test at 200 g,  $\pm 90^\circ$ , 30 cycles /min: 15,000 cycle minimum



| Revision: | Date:      | Description:                            |
|-----------|------------|---|
| A         | 10/10/2018 | Initial release                         |
| A1        | 1/18/2019  | Changed filler material to generic name |
|           |            |   |
|           |            |   |
|           |            |   |

Prepared: PS  
Digitally signed by PS  
Date: 2019.07.19  
10:35:17 -07'00'

Verified: CH  
Digitally signed by CH  
Date: 2019.07.19 10:37:27  
-07'00'

Dimensions are in millimeters.  
Tolerances:  
X:  $\pm 0.5$  mm  
X.X:  $\pm 0.3$  mm  
X.XX:  $\pm 0.05$  mm

Notes:  
RoHS compliant  
Jacket meets ISO 10993 Biological Compatibility  
Phthalate and halogen free  
Function test: no open, no short, no intermittent

Description:  
Wire, 9C TS, 24 AWG, 150V, 70C, 5.7 mm, shielded, TPU, 75A, WBL

**TENSILITY**

tel 1.541.323.3228 800 877.670.7118  
fax 1.541.323.4202 web tensility.com

Size: A Part number: 30-01180

Scale: 10:1 Sheet 1 of 1