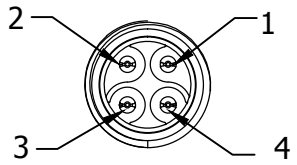
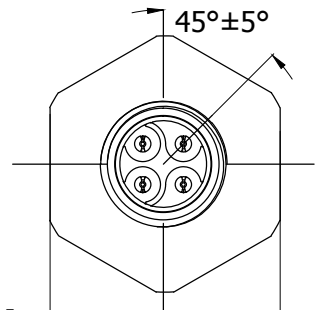


13 12 11 10 9 8 7 6 5 4 3 2 1

MALE FACE VIEW



- 1 GRAY
- 2 BROWN
- 3 BLUE
- 4 BLACK

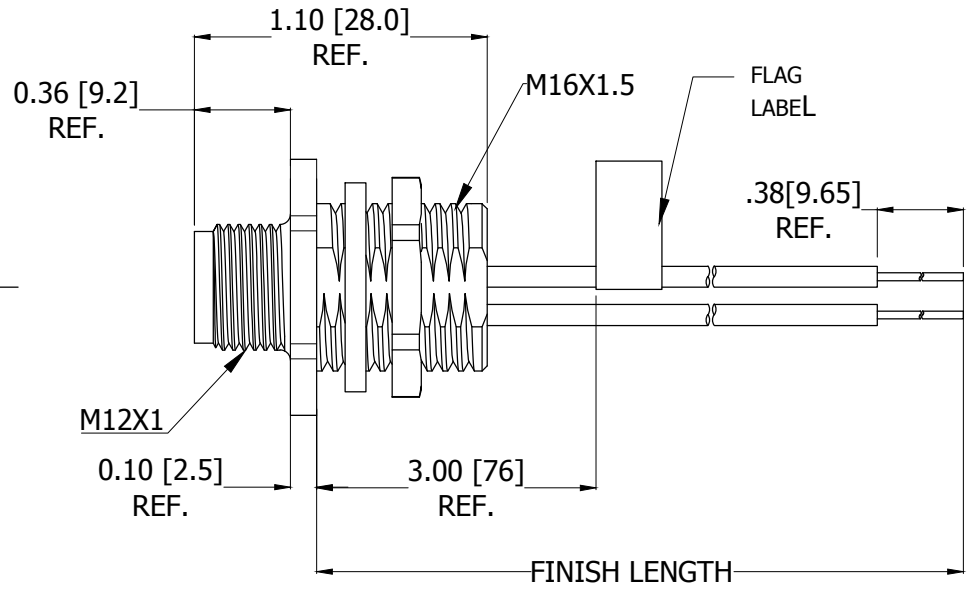


0.87 [22.0]
REF.

0.56±0.004 [14.3±0.10]

Ø0.64±0.004 [Ø16.3±0.10]

TYPICAL KNOCKOUT



MECHANICAL
 CONTACT: GOLD/NICKEL OVER COPPER ALLOY
 INSERT: BLACK NYLON
 RECEPTACLE SHELL: NICKEL PLATED BRASS
 GASKET: BLACK NITRILE
 LOCK NUT: NICKEL PLATED BRASS
 WIRE: 14 AWG CONDUCTORS, PPE

WIRE MARKING: xxxxx ECOWIRE TM 14 AWG Exxxxxx
 RU AWM 11028 105C 600V VW-1 ---
 CRU AWM I A/B 105C 600V FT1 CE ROHS

ELECTRICAL
 VOLTAGE RATING: 300V AC/DC
 AMPERAGE: 16A

ENVIRONMENTAL
 PROTECTION: IP67

OPERATING TEMP: -20°C TO 105°C

Ⓡ FRP4U36F01M0103

Wire type
 14/1C AWG PPE

Wire length
 M005 = 0.5 Meter
 M010 = 1 Meter
 M100 = 10 Meter

| | | | | | | | |
|--|------------------------------|---|---|--------------------------------|--|------------------------|--|
| UPDATE MATRIX NUMBER EC NO: IPG2017-0883 DRWN: MZELINS 2017/03/20 CHKD: TWOLDEGE 2017/03/22 APPR: BWOODMAN2013/12/17 REV: F | QUALITY SYMBOL ▽=0 ◻=0 | GENERAL TOLERANCES (UNLESS SPECIFIED) | DIMENSION STYLE INCH/MM | SCALE 4:1 | DESIGN UNITS INCH | THIRD ANGLE PROJECTION | |
| | mm INCH | 4 PLACES ±--- ±--- 3 PLACES ±--- ±.005 2 PLACES ±.13 ±.010 1 PLACE ±.25 ±.020 | DRAWN BY DATE TWOLDEGE 2013/06/18 | CHECKED BY DATE BRUPERT --- | TITLE M12-POWER ASSEMBLY 4-POLE MALE M16X1.5 14/1C AWG PPE WIRE LEADS | | |
| | ANGULAR ±.5° | DRAFT WHERE APPLICABLE MUST REMAIN WITHIN DIMENSIONS | APPROVED BY DATE BWOODMAN 2013/12/17 | MATERIAL NO. | MOLEX INCORPORATED | | |
| | SIZE C | THIS DRAWING CONTAINS INFORMATION THAT IS PROPRIETARY TO MOLEX INCORPORATED AND SHOULD NOT BE USED WITHOUT WRITTEN PERMISSION | | | DOCUMENT NO. SD-120502-004 | SHEET NO. 1 OF 1 | |

13 12 11 10 9 8 7 6 5 4 3 2 1