

PART NAME: KNOB

SCALE: 1:1

DATE: 3/1/94

DR. BY H.S.


 DESIGNERS & MANUFACTURERS
 OF KNOBS, HANDLES, CASES &
 CUSTOM PLASTIC COMPONENTS

P/N 3050CP

M No. 3050

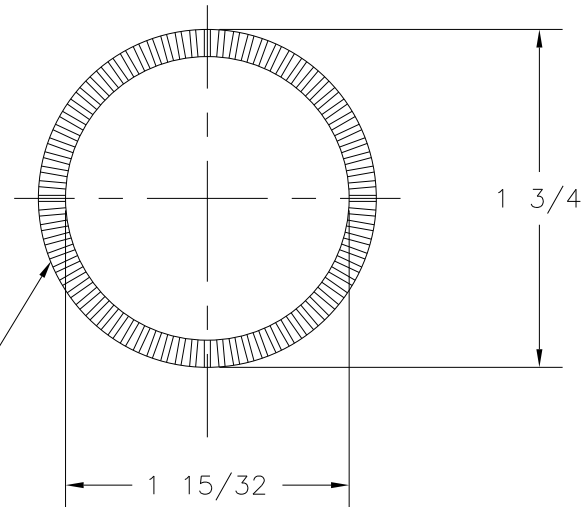
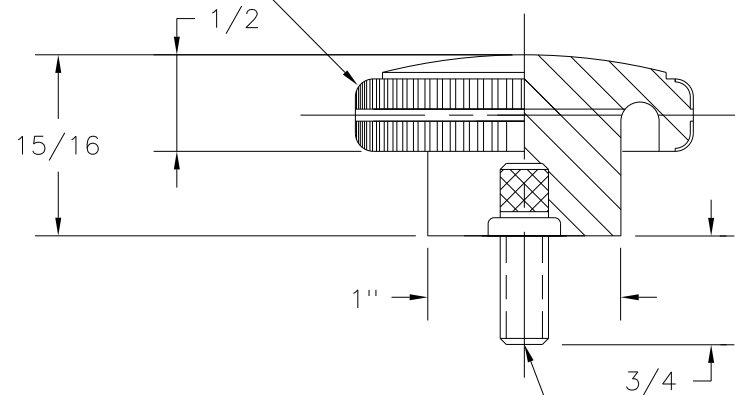
CAVITY 3050

PLUNGER 3050

① PINS 3000-H

SHIM SPACE BAR 3050-M

INSERT 10870


 72, KNURLS EQUALLY SPACED
 1/32 WIDE X .020 DEEP (TYP)

 1/4-20 x 3/4 LG. THR'D
 INSERT NO. 10870;
 #303, STAINLESS STEEL

 MATERIAL: G.P. PHENOLIC (B11)
 COLOR: BLACK

TOLERANCES: UNLESS OTHERWISE SPECIFIED	DO NOT SCALE DRAWING				
DECIMALS: X.XXX ± .005 X.XX ± .015	MM: X.XX ± 0.15MM X.X ± 0.4MM	A	WAS 3040-H	LS	7/22/03
FRACTIONS ± 1/64	ANG. ± 1°	CHANGES			