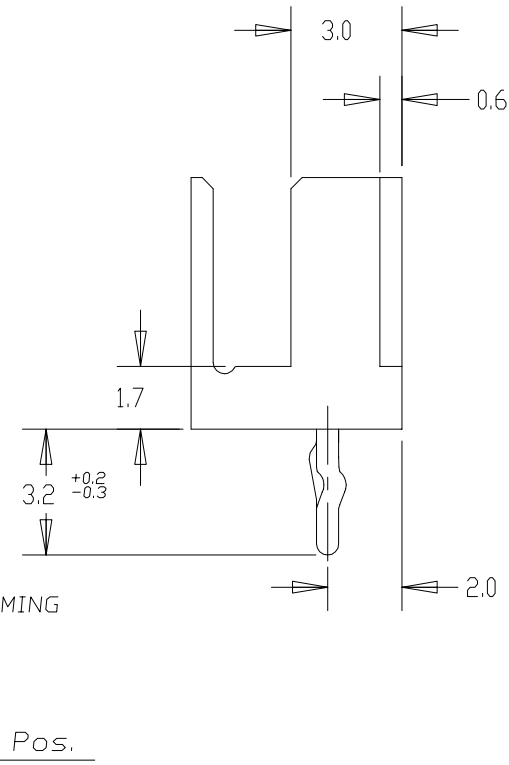
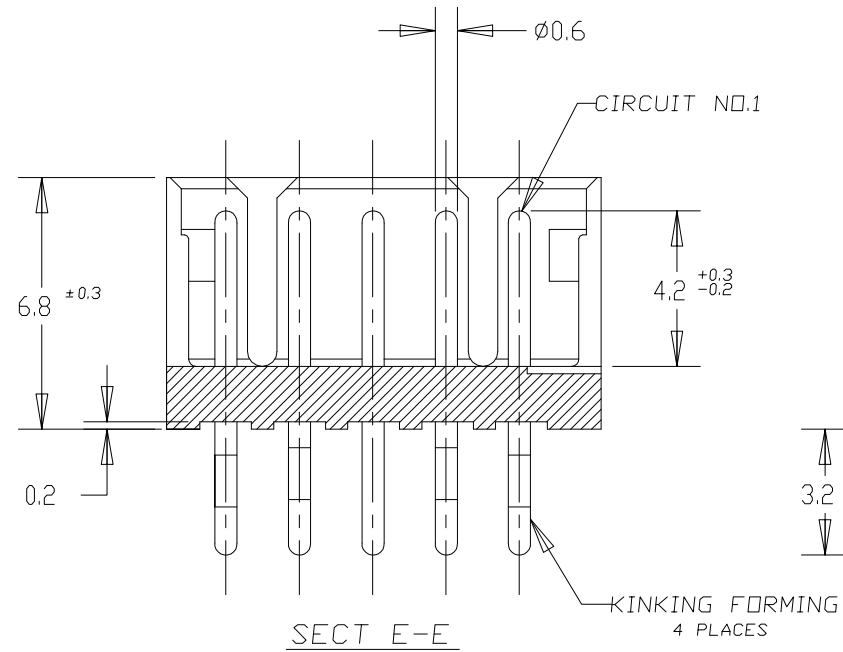
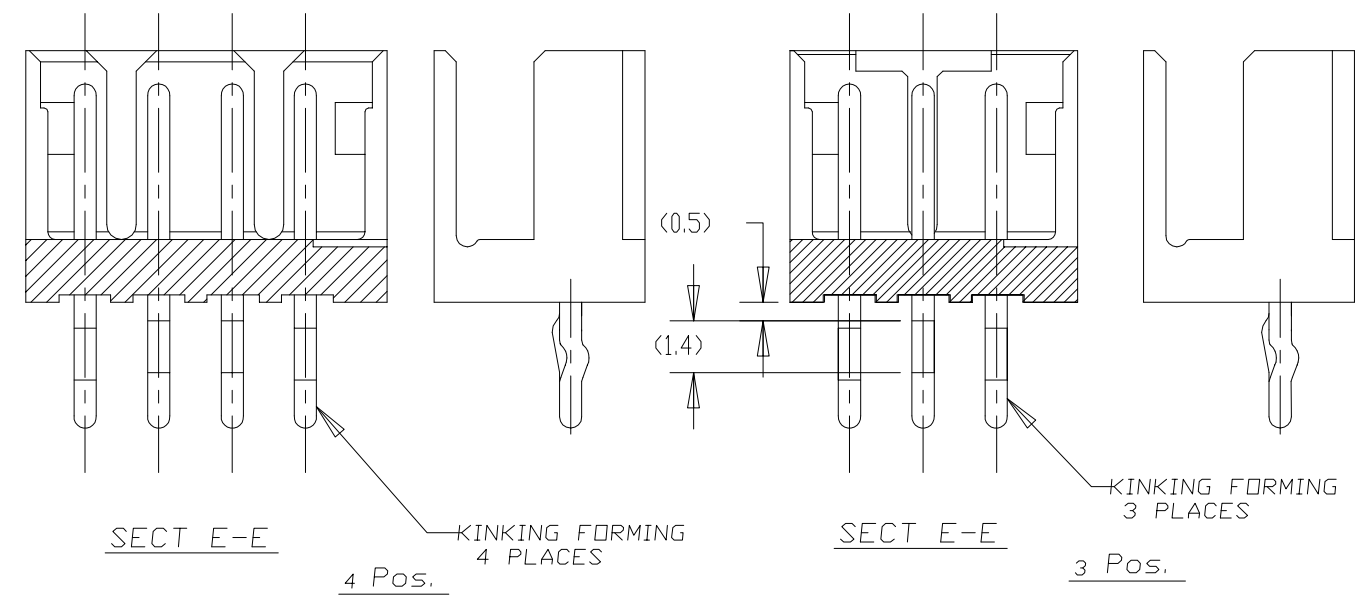
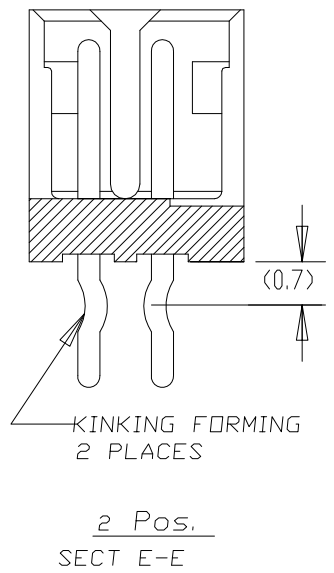
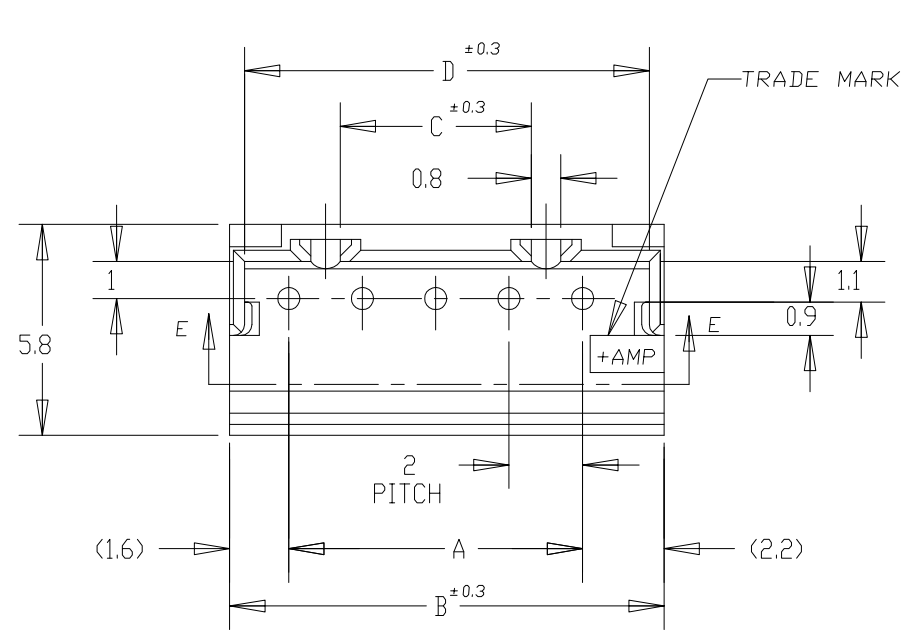
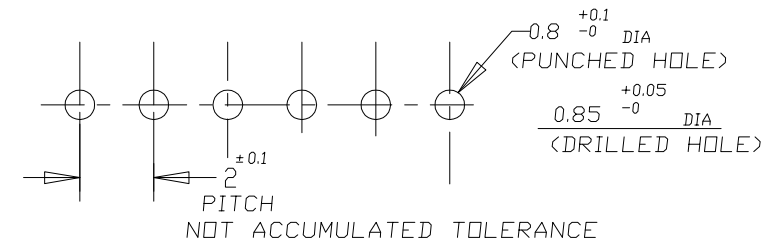


LOC	DIST	REVISIONS					
FB	00	P	LTR	DESCRIPTION	DATE	DWN	APVD
		A2	REVISED	ECR-14-006619	06MAY14	T.Q	W.H

NOTES;
 ▲ MATERIAL: HOUSING - 66 NYLON (UL94V-0)
 POST - TIN BRASS
 ▲ 7-292132-3 WAS OBSOLETE.



	7-292132-5	5-292132-5	3-292132-5	1-292132-5	15	28	31.8	25.2	31.0
	7-▲-4	5-▲-4	3-▲-4	1-▲-4	14	26	29.8	23.2	29.0
	7-▲-3	5-▲-3	3-▲-3	1-▲-3	13	24	27.8	21.2	27.0
	7-▲-2	5-▲-2	3-▲-2	1-▲-2	12	22	25.8	19.2	25.0
	7-▲-1	5-▲-1	3-▲-1	1-▲-1	11	20	23.8	17.2	23.0
	7-▲-0	5-▲-0	3-▲-0	1-▲-0	10	18	21.8	15.2	21.0
	6-▲-9	4-▲-9	2-▲-9	▲-9	9	16	19.8	13.2	19.0
	6-▲-8	4-▲-8	2-▲-8	▲-8	8	14	17.8	11.2	17.0
	6-▲-7	4-▲-7	2-▲-7	▲-7	7	12	15.8	9.2	15.0
8-292132-6	6-▲-6	4-▲-6	2-▲-6	▲-6	6	10	13.8	7.2	13.0
	6-▲-5	4-▲-5	2-▲-5	▲-5	5	8	11.8	5.2	11.0
	6-▲-4	4-▲-4	2-▲-4	▲-4	4	6	9.8	3.2	9.0
	6-▲-3	4-▲-3	2-▲-3	▲-3	3	4	7.8	—	7.0
	6-292132-2	4-292132-2	2-292132-2	292132-2	2	2	5.8	—	5.0
RED	BLACK	YELLOW	BLUE	NATURAL	Pos.	A	B	C	D



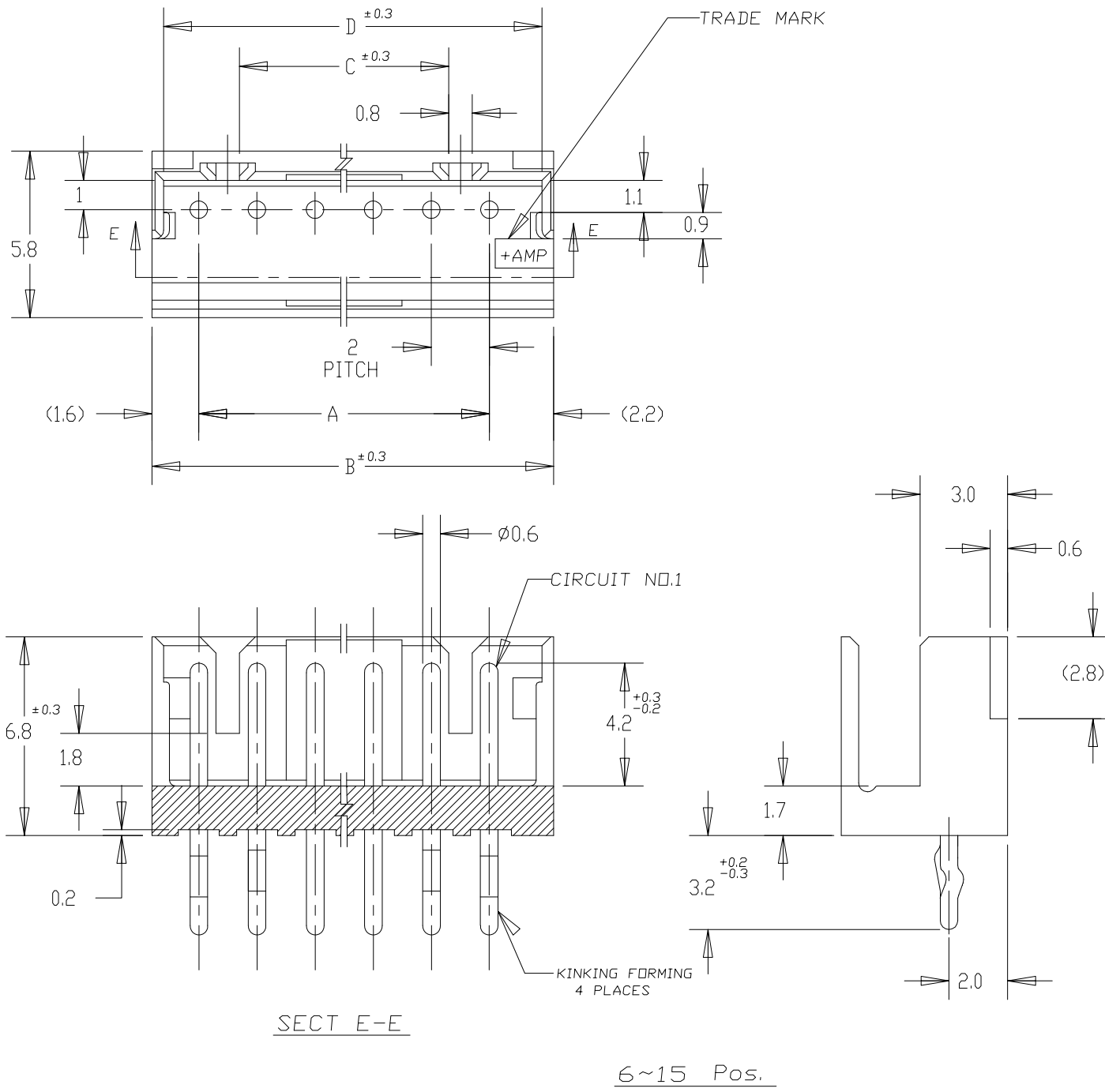
RECOMMENDABLE P.C. BOARD LAYOUT
 (PCB THK: 0.8-1.6)

THIS DRAWING IS A CONTROLLED DOCUMENT FOR TYCO ELECTRONICS CORPORATION. IT IS SUBJECT TO CHANGE AND THE CONTROLLING ENGINEERING ORGANIZATION SHOULD BE CONTACTED FOR THE LATEST REVISION.

DIMENSIONS: mm	TOLERANCES UNLESS OTHERWISE SPECIFIED: ±0.2	DWN J. JIANG 23JAN03	Tyco Electronics Corporation Shanghai, P.R.China, 200233
	0-PLC ± 1-PLC ± 2-PLC ± 3-PLC ± 4-PLC ± ANGLES ±	CHK S. YAO 23JAN03 APVD T. SASAKI 23JAN03 PRODUCT SPEC 108-60016 APPLICATION SPEC WEIGHT	
MATERIAL ▲	FINISH ▲	CUSTOMER DRAWING	POST HEADER ASS'Y (BOX-V DIP) (AMP CT CONNECTOR 2mm PITCH)
		SCALE 5:1	RESTRICTED TO
		SHEET 1 OF 2	REV A2

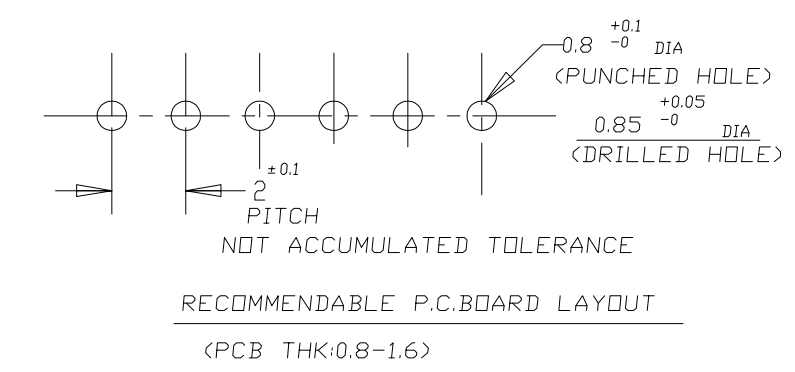
THIS DRAWING IS UNPUBLISHED. RELEASED FOR PUBLICATION
 © COPYRIGHT BY TYCO ELECTRONICS CORPORATION. ALL RIGHTS RESERVED.

LOC	DIST	REVISIONS					
FB	00	P	LTR	DESCRIPTION	DATE	DWN	APVD
		-		SEE SHEET 1	-	-	-



NOTES;
 ▲ MATERIAL: HOUSING - 66 NYLON (UL94V-0)
 POST - TIN BRASS

	7-292132-5	5-292132-5	3-292132-5	1-292132-5	15	28	31.8	25.2	31.0
	7-▲ -4	5-▲ -4	3-▲ -4	1-▲ -4	14	26	29.8	23.2	29.0
	7-▲ -3	5-▲ -3	3-▲ -3	1-▲ -3	13	24	27.8	21.2	27.0
	7-▲ -2	5-▲ -2	3-▲ -2	1-▲ -2	12	22	25.8	19.2	25.0
	7-▲ -1	5-▲ -1	3-▲ -1	1-▲ -1	11	20	23.8	17.2	23.0
	7-▲ -0	5-▲ -0	3-▲ -0	1-▲ -0	10	18	21.8	15.2	21.0
	6-▲ -9	4-▲ -9	2-▲ -9	▲ -9	9	16	19.8	13.2	19.0
	6-▲ -8	4-▲ -8	2-▲ -8	▲ -8	8	14	17.8	11.2	17.0
	6-▲ -7	4-▲ -7	2-▲ -7	▲ -7	7	12	15.8	9.2	15.0
8-292132-6	6-▲ -6	4-▲ -6	2-▲ -6	▲ -6	6	10	13.8	7.2	13.0
	6-▲ -5	4-▲ -5	2-▲ -5	▲ -5	(SEE SHEET 1 OF 2)				
	6-▲ -4	4-▲ -4	2-▲ -4	▲ -4					
	6-▲ -3	4-▲ -3	2-▲ -3	▲ -3					
	6-▲ -2	4-▲ -2	2-▲ -2	▲ -2					
RED	BLACK	YELLOW	BLUE	NATURAL	Pos.	A	B	C	D



THIS DRAWING IS A CONTROLLED DOCUMENT FOR TYCO ELECTRONICS CORPORATION IT IS SUBJECT TO CHANGE AND THE CONTROLLING ENGINEERING ORGANIZATION SHOULD BE CONTACTED FOR THE LATEST REVISION.

DIMENSIONS: MM	TOLERANCES UNLESS OTHERWISE SPECIFIED: ±0.2	DWN	Tyco Electronics Corporation Shanghai, P.R.China, 200233
	0-PLC ±	CHK	
	1-PLC ±	APVD	
	2-PLC ±	PRODUCT SPEC	
	3-PLC ±	APPLICATION SPEC	NAME
	4-PLC ±	WEIGHT	POST HEADER ASS'Y (BOX-V DIP) (AMP CT CONNECTOR 2mm PITCH)
MATERIAL	FINISH	CUSTOMER DRAWING	SIZE CAGE CODE DRAWING NO RESTRICTED TO
▲	▲		A3 00779 C-292132 -
		SCALE 5:1	SHEET 2 OF 2 REV A2