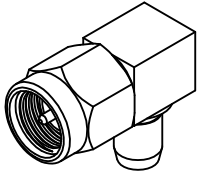
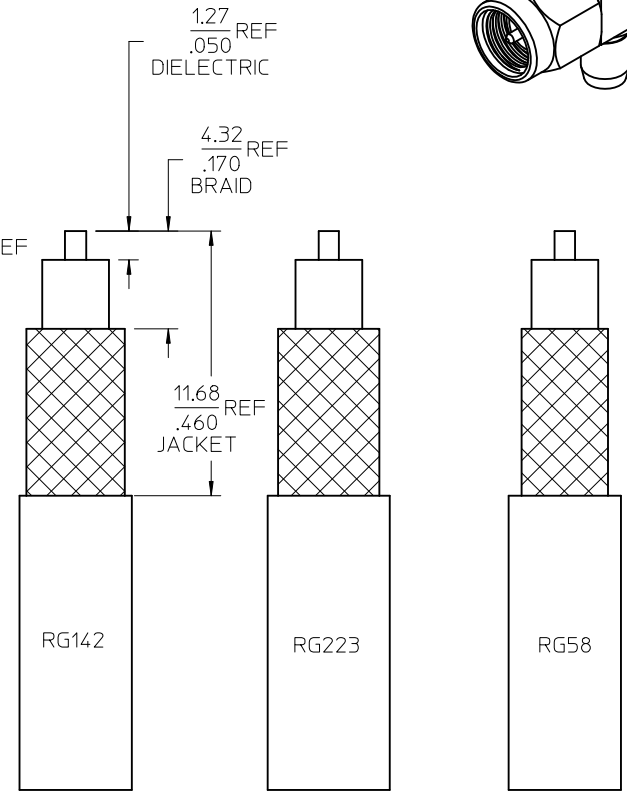
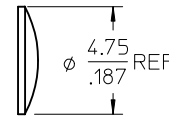
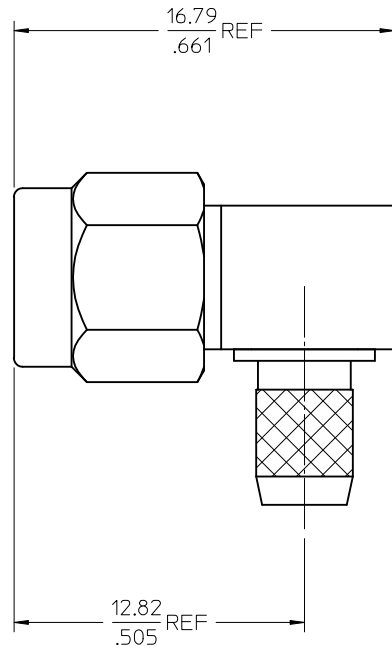
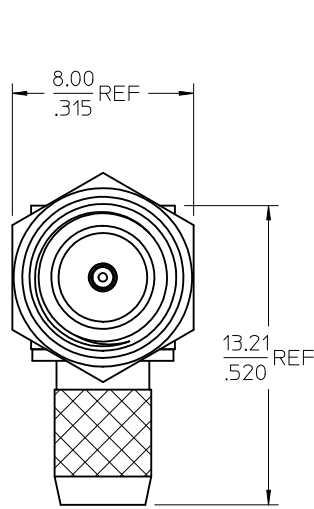


MATERIALS AND FINISHES

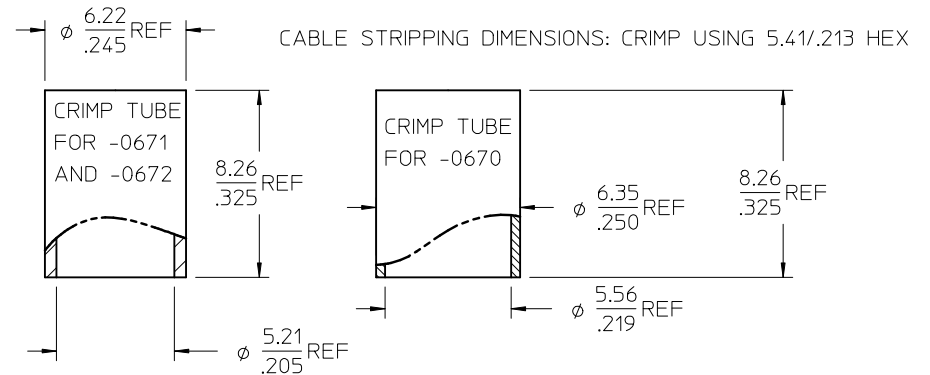
BODY, CAP, C'NUT, CONTACT,
CRIMP TUBE: BRASS
PLATED GOLD

INSULATOR: TEFLON



PS-89675-3460	ELECTRO/MECH PERFORM.
MIL-STD-348A, FIG. 310.1	INTERFACE
SPECIFICATION	DESCRIPTION

73251-0672	RG58 / SINGLE BAG
73251-0671	RG58 / BULK PACK
73251-0670	RG55, RG142, RG223 / BULK PACK
PART NO.	CABLE GROUP / PACKAGING



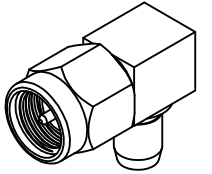
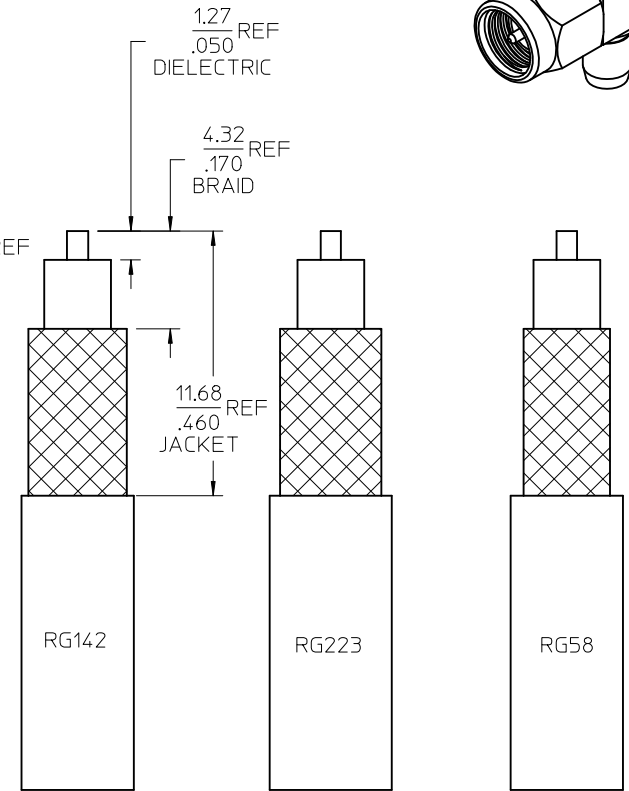
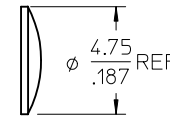
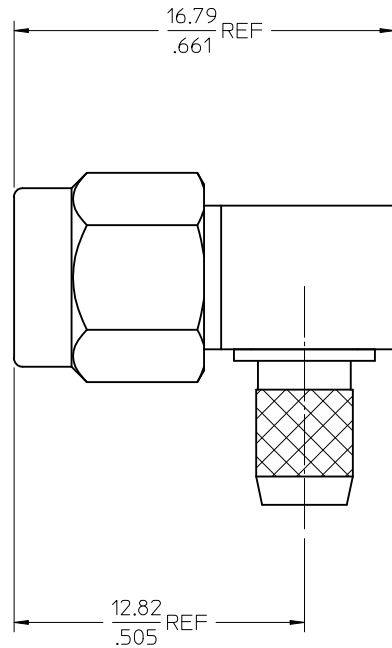
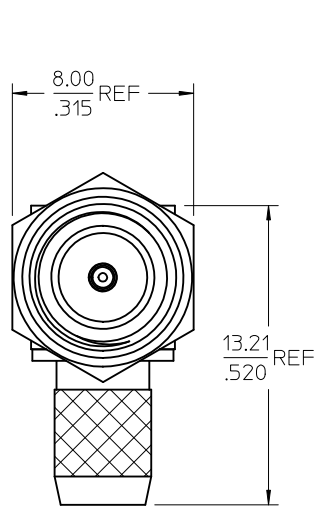
CHG: ADD -0672 PS WAS ES-89675-1190 ADD PACKAGING EC NO: URF2012-0421 DRWN: JWIENER 2012/01/25 CHKD: SSS 2012/01/25 APPR: JWIENER 2012/01/27 DESCRIPTION REV: A2	QUALITY SYMBOLS ▽=0 ▽=0
	GENERAL TOLERANCES (UNLESS SPECIFIED) 4 PLACES ± --- ± --- 3 PLACES ± --- ± --- 2 PLACES ± --- ± --- 1 PLACE ± --- ± --- ANGULAR ± 2 °

DIMENSION STYLE MM/IN DRAWN BY: GMH DATE: 2001/04/18 CHECKED BY: SSS DATE: 2001/04/18 APPROVED BY: GMH DATE: 2001/04/18 MATERIAL NO. SEE TABLE DRAFT WHERE APPLICABLE MUST REMAIN WITHIN DIMENSIONS	SCALE: METRIC DESIGN UNITS: METRIC TITLE: SMA PLUG R/A 50 OHM RG58/223 SMA-PC, EWR-1320 MOLEX INCORPORATED DOCUMENT NO. SD-73251-067 SHEET NO. 1 OF 1
THIS DRAWING CONTAINS INFORMATION THAT IS PROPRIETARY TO MOLEX INCORPORATED AND SHOULD NOT BE USED WITHOUT WRITTEN PERMISSION	

MATERIALS AND FINISHES

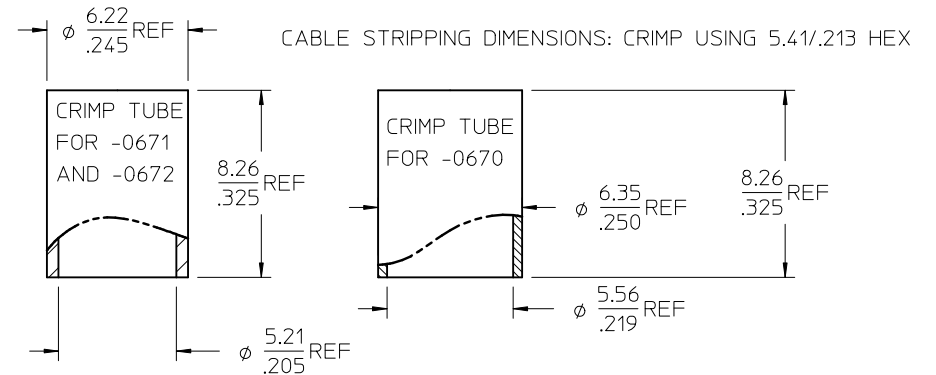
BODY, CAP, C'NUT, CONTACT,
CRIMP TUBE: BRASS
PLATED GOLD

INSULATOR: TEFLON



PS-89675-3460	ELECTRO/MECH PERFORM.
MIL-STD-348A, FIG. 310.1	INTERFACE
SPECIFICATION	DESCRIPTION

73251-0672	RG58 / SINGLE BAG
73251-0671	RG58 / BULK PACK
73251-0670	RG55, RG142, RG223 / BULK PACK
PART NO.	CABLE GROUP / PACKAGING



CHG: ADD -0672 PS WAS ES-89675-1190 ADD PACKAGING EC NO: URF2012-0421 DRWN: JWIENER 2012/01/25 CHKD: SSS 2012/01/25 APPR: JWIENER 2012/01/27 DESCRIPTION REV: A2	QUALITY SYMBOLS ▽=0 ▽=0
	GENERAL TOLERANCES (UNLESS SPECIFIED) 4 PLACES ± --- ± --- 3 PLACES ± --- ± --- 2 PLACES ± --- ± --- 1 PLACE ± --- ± --- ANGULAR ± 2 ° DRAFT WHERE APPLICABLE MUST REMAIN WITHIN DIMENSIONS

DIMENSION STYLE MM/IN DRAWN BY GMH DATE 2001/04/18 CHECKED BY SSS DATE 2001/04/18 APPROVED BY GMH DATE 2001/04/18 MATERIAL NO. SEE TABLE SIZE C	SCALE DESIGN UNITS METRIC TITLE SMA PLUG R/A 50 OHM RG58/223 SMA-PC, EWR-1320 MOLEX INCORPORATED DOCUMENT NO. SD-73251-067 SHEET NO. 1 OF 1
THIS DRAWING CONTAINS INFORMATION THAT IS PROPRIETARY TO MOLEX INCORPORATED AND SHOULD NOT BE USED WITHOUT WRITTEN PERMISSION	