

Connector mounting plate - HC-SMP 150-B16 - 1660889

Please be informed that the data shown in this PDF Document is generated from our Online Catalog. Please find the complete data in the user's documentation. Our General Terms of Use for Downloads are valid (<http://download.phoenixcontact.com>)




Plug assembly board, 150 mm, with base element, snaps onto NS 35/7.5 and NS 35/15, for contact inserts HC-B 16

The figure shows the HC-SMP 150... connector mounting plate (bottom) with the HC-SAZ... plug socket (top)



Key commercial data

| | |
|--------------------------------------|---------------------------------------------------------------------------------------------------------|
| Packing unit | 1 1 |
| GTIN |  4 017918 022297 |
| Weight per Piece (excluding packing) | 197.0 GRM |
| Custom tariff number | 85389099 |
| Country of origin | Germany |

Technical data

Dimensions

| | |
|---------------------------------|--------|
| Length | 150 mm |
| Height | 52 mm |
| Hole diameter | 4.5 mm |
| Drill hole distance, horizontal | 130 mm |
| Drill hole distance, vertical | 32 mm |

General

| | |
|--------|-----|
| Design | B16 |
|--------|-----|

Connector mounting plate - HC-SMP 150-B16 - 1660889

Classifications

eCl@ss

| | |
|------------|----------|
| eCl@ss 4.0 | 27140816 |
| eCl@ss 4.1 | 27140816 |
| eCl@ss 5.0 | 27143424 |
| eCl@ss 5.1 | 27143424 |
| eCl@ss 6.0 | 27143424 |
| eCl@ss 7.0 | 27440209 |
| eCl@ss 8.0 | 27440209 |

ETIM

| | |
|----------|----------|
| ETIM 3.0 | EC002310 |
| ETIM 4.0 | EC002310 |
| ETIM 5.0 | EC002310 |

UNSPSC

| | |
|---------------|----------|
| UNSPSC 6.01 | 43172601 |
| UNSPSC 7.0901 | 39121416 |
| UNSPSC 11 | 43172601 |
| UNSPSC 12.01 | 39121408 |
| UNSPSC 13.2 | 39121408 |

Approvals

Approvals


Approvals

GOST

Ex Approvals

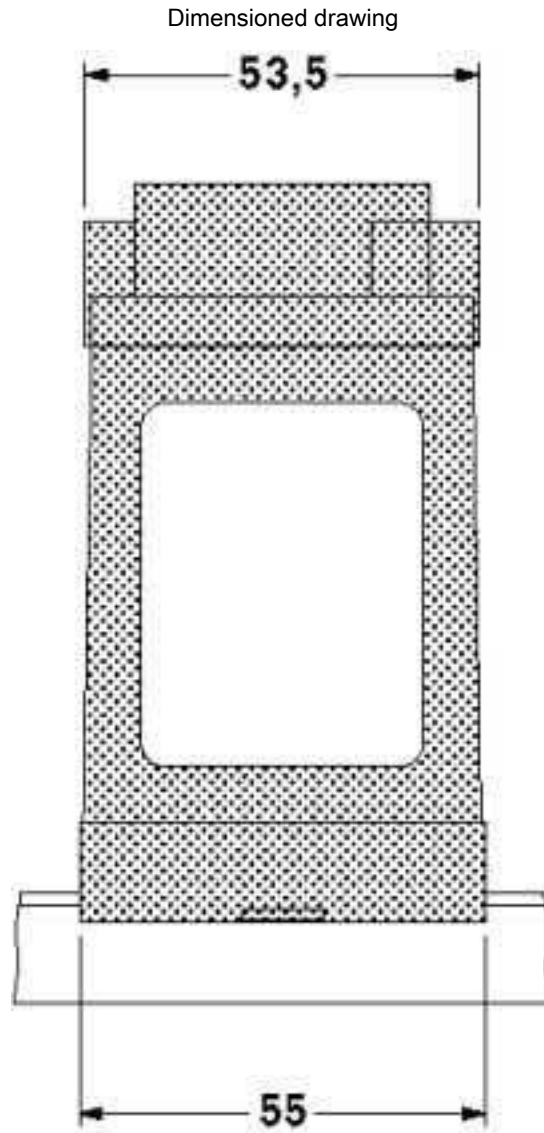
Approvals submitted

Approval details

| |
|------------------------------------------------------------------------------------------|
| GOST  |
|------------------------------------------------------------------------------------------|

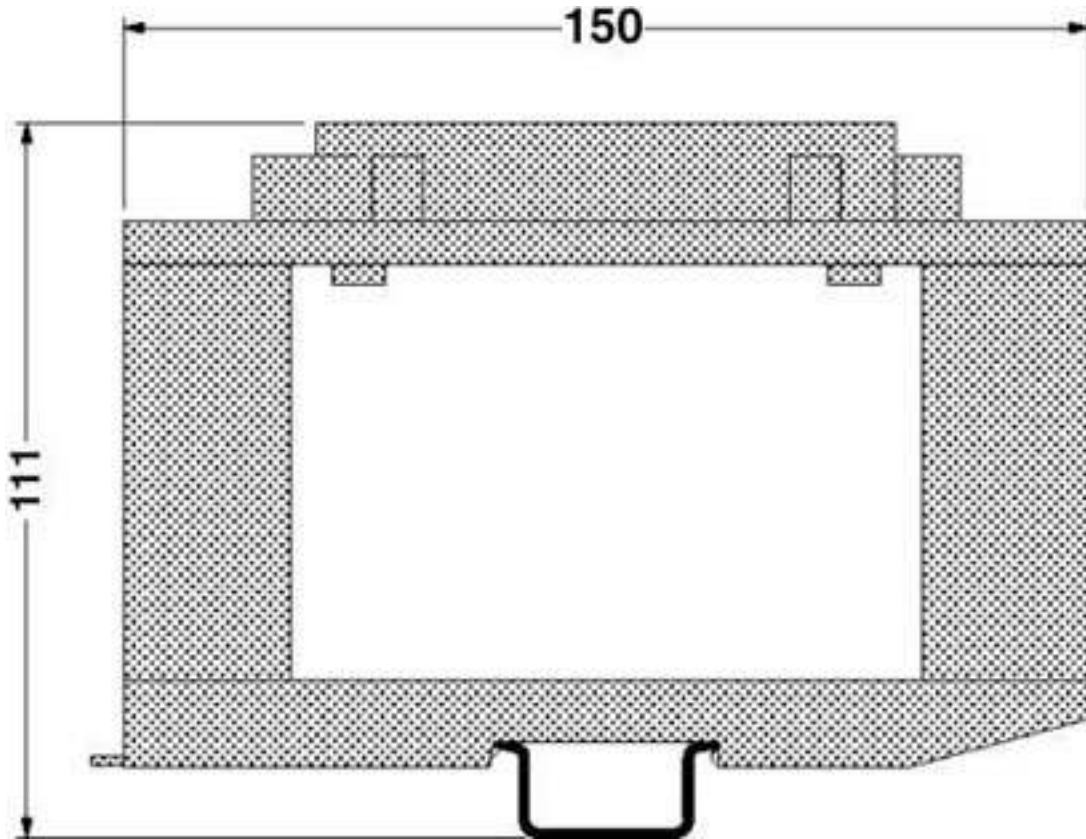
Connector mounting plate - HC-SMP 150-B16 - 1660889

Drawings

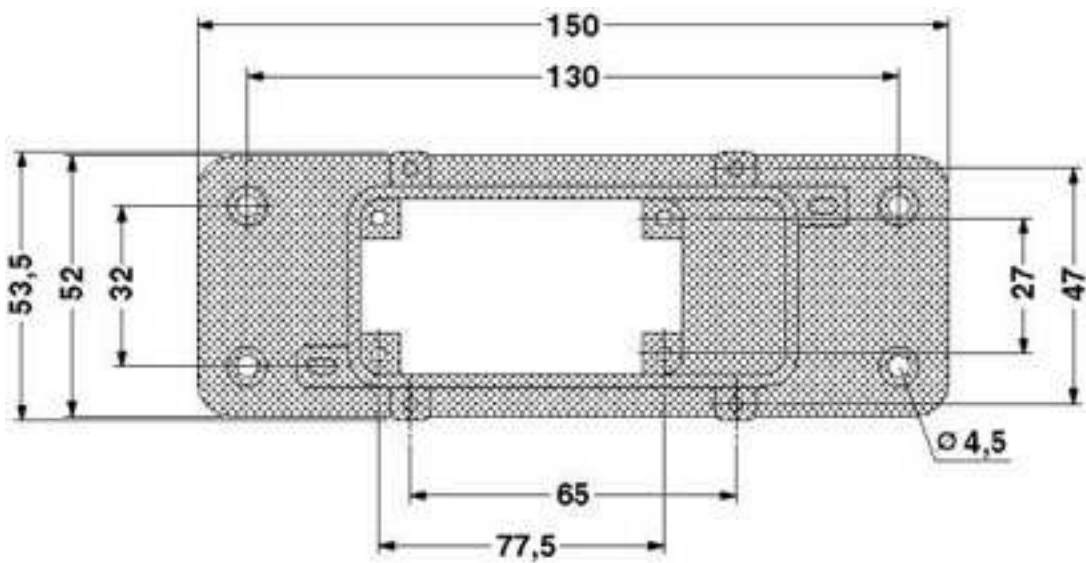


Connector mounting plate - HC-SMP 150-B16 - 1660889

Dimensioned drawing



Dimensioned drawing



Connector mounting plate - HC-SMP 150-B16 - 1660889

Dimensioned drawing

