



AMP

TE Internal #: 166500-2

Automotive Terminals, Receptacle, Mating Tab Width .64 mm [.025 in], Tab Thickness .64 mm [.025 in], 24 – 20 AWG Wire Size, .2 – .5 mm² Wire Size

[View on TE.com >](#)

Terminals & Splices > Automotive Terminals > RING TONGUE TERMINAL



Terminal Type: **Receptacle**

Mating Tab Width: **.64 mm [.025 in]**

Mating Tab Thickness: **.64 mm [.025 in]**

Terminal Transmits: **0 – 24 A (Low Power)**

Wire Size: **24 – 20 AWG**

[All RING TONGUE TERMINAL \(3\)](#)

Features

Product Type Features

Receptacle Style	180°
Sealable	No
Primary Locking Feature	Locking Lance

Contact Features

Contact Size	.64mm
Contact Fabrication	Stamped & Formed
Wire Contact Termination Area Plating Material	Gold
Typical Current Rating	3 A
Crimp Type	F-Crimp
Terminal Type	Receptacle
Mating Tab Width	.64 mm[.025 in]
Mating Tab Thickness	.64 mm[.025 in]
Interface Plating	Gold (Au)

Termination Features

Termination Method to Wire & Cable	Crimp
Product Terminates To	Wire

Dimensions



Compatible Insulation Diameter Range	1.4 mm[.055 in]
Wire Size	.2 – .5 mm ²
Wire Size Search	20 AWG, 21 AWG, 22 AWG, 23 AWG, 24 AWG

Usage Conditions

Insulation Option	Uninsulated
Operating Temperature (Max)	80 °C, 85 °C, 90 °C, 100 °C, 105 °C[176 °F][185 °F][194 °F][212 °F][221 °F]
Operating Temperature Range	-65 – 105 °C[-85 – 221 °F]

Operation/Application

Compatible With Wire Base Material	Copper
------------------------------------	--------

Packaging Features

Packaging Quantity	14000
Packaging Method	Reel

Other

Customer Preferred Contact	No
Terminal Transmits	0 – 24 A (Low Power)

Product Compliance

[For compliance documentation, visit the product page on TE.com>](#)

EU RoHS Directive 2011/65/EU	Compliant
EU ELV Directive 2000/53/EC	Compliant
China RoHS 2 Directive MIIT Order No 32, 2016	No Restricted Materials Above Threshold
EU REACH Regulation (EC) No. 1907/2006	Current ECHA Candidate List: JUNE 2023 (235) Candidate List Declared Against: JAN 2023 (233) Does not contain REACH SVHC
Halogen Content	Low Halogen - Br, Cl, F, I < 900 ppm per homogenous material. Also BFR/CFR/PVC Free
Solder Process Capability	Not applicable for solder process capability

Product Compliance Disclaimer

This information is provided based on reasonable inquiry of our suppliers and represents our current actual knowledge based on the information they provided. This information is subject to change. The part numbers that TE has identified as EU RoHS compliant have a maximum concentration of 0.1% by weight in homogenous materials for lead, hexavalent

chromium, mercury, PBB, PBDE, DBP, BBP, DEHP, DIBP, and 0.01% for cadmium, or qualify for an exemption to these limits as defined in the Annexes of Directive 2011/65/EU (RoHS2). Finished electrical and electronic equipment products will be CE marked as required by Directive 2011/65/EU. Components may not be CE marked. Additionally, the part numbers that TE has identified as EU ELV compliant have a maximum concentration of 0.1% by weight in homogenous materials for lead, hexavalent chromium, and mercury, and 0.01% for cadmium, or qualify for an exemption to these limits as defined in the Annexes of Directive 2000/53/EC (ELV). Regarding the REACH Regulation, the information TE provides on SVHC in articles for this part number is based on the latest European Chemicals Agency (ECHA) 'Guidance on requirements for substances in articles' posted at this URL: <https://echa.europa.eu/guidance-documents/guidance-on-reach>

Compatible Parts



TE Part # 2305570-1
Strip Terminal Cutter-Side Feed-No Crimp



TE Part # 843473-1
EXTRACTION TOOL



TE Part # 2151263-1
OCEAN_2.0_Applicator-S-055F062O



TE Part # 2-2151263-1
OCEAN_2.0_Applicator-S-055F062O



TE Part # 2-2151263-2
OCEAN_2.0_Applicator-S-055F062O



TE Part # 2-2836664-1
OCEAN_2.0_Applicator-S-042F055O



TE Part # 2-2836664-2
OCEAN_2.0_Applicator-S-042F055OA



TE Part # 2151263-2
OCEAN_2.0_Applicator-S-055F062O



TE Part # 2383863-1
SDE F MINI-TNDM SPNG 20-32AWG ASSY



TE Part # 2836664-1
OCEAN_2.0_Applicator-S-042F055O



TE Part # 2836664-2
OCEAN_2.0_Applicator-S-042F055OA



TE Part # 5-2151263-1
OCEAN_2.0_Applicator-S-055F062O




TE Part # 5-2151263-2
OCEAN_2.0_Applicator-S-055F062O



TE Part # 7-2151263-1
OCEAN_2.0_Applicator-S-055F062O



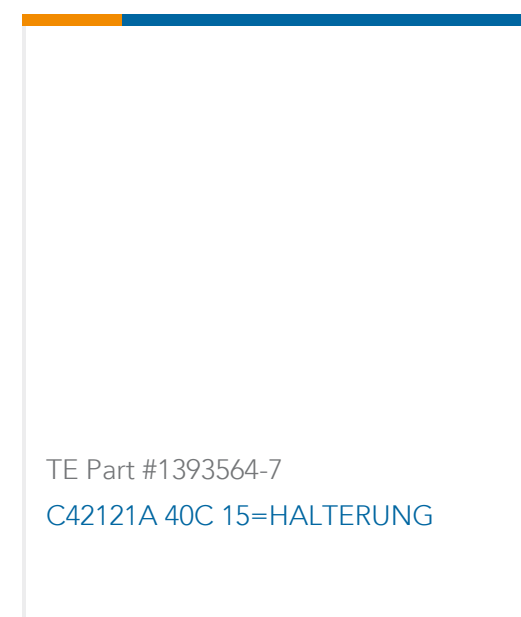
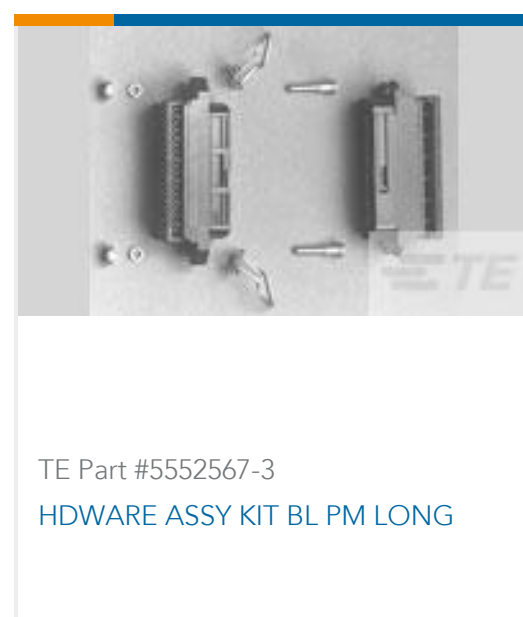
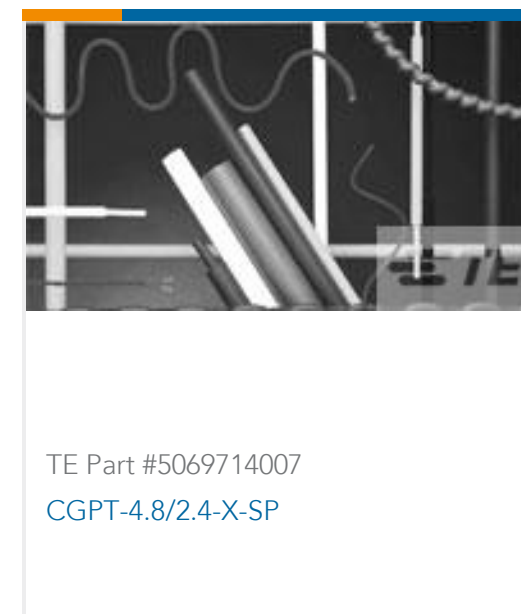
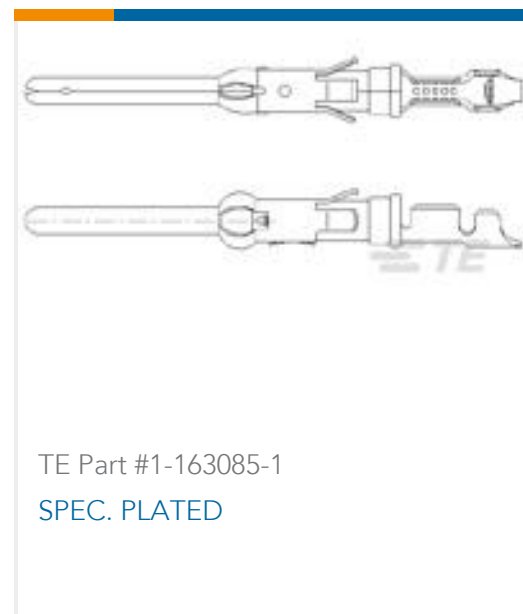
TE Part # 7-2151263-2
OCEAN_2.0_Applicator-S-055F062O



TE Part # 7-2151263-7
OCEAN_2.0_SPARE_PART_KIT-055F062O



Customers Also Bought



Documents

Product Drawings

TANDEM SPRING REC

English

CAD Files

Customer View Model

[ENG_CVM_166500-2_Z.3d_igs.zip](#)

English

Customer View Model

[ENG_CVM_166500-2_Z.3d_stp.zip](#)

English

Customer View Model

[ENG_CVM_166500-2_Z.2d_dxf.zip](#)

English

3D PDF

English

By downloading the CAD file I accept and agree to the [Terms and Conditions](#) of use.



Product Specifications

Application Specification

German

Application Specification

English

Application Specification

English