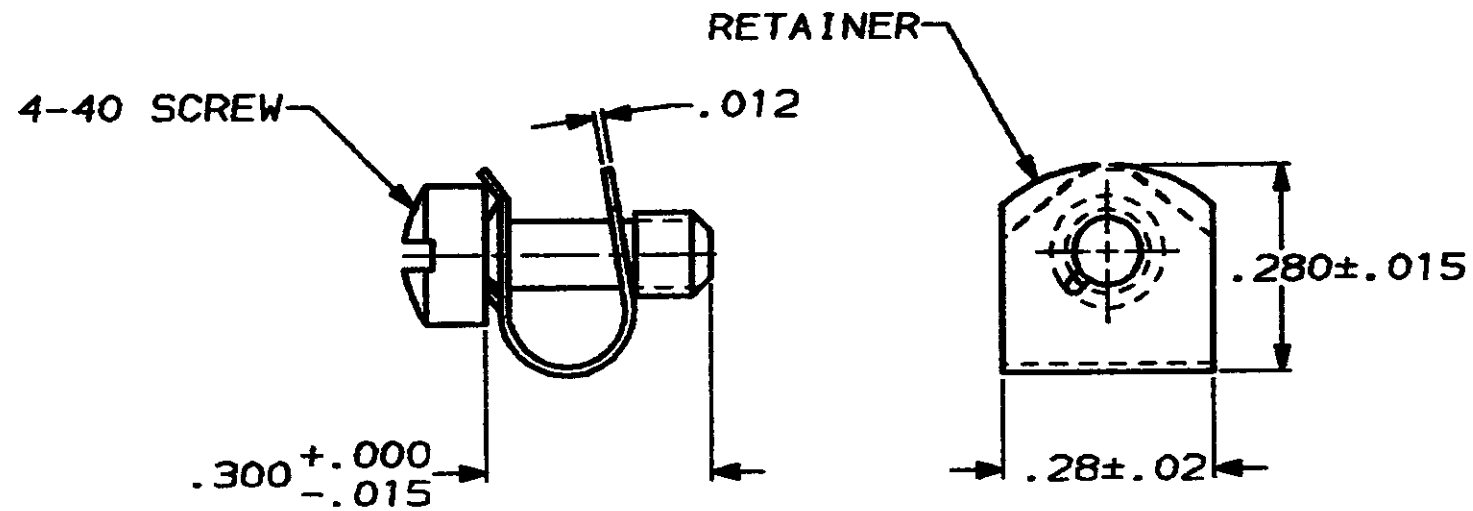


REVISIONS						
P	F	ZONE	LTR	DESCRIPTION	DATE	APPROVED
			0	RELEASED		
			A	REVISED ECN-BD2475	11-18-88	JS
✓	✓		B	REV PER ECN BD4276	12/10/90	-



- 1. PARTS PACKAGED UNASSEMBLED.
- ② CARBON STEEL.
- ③ ZINC PLATED PER ASTM B633, TYPE III, CLASS SC1, CLEAR CHROMATE.
- ④ STAINLESS STEEL PER ASTM A666.

PARTS INDIVIDUALLY BULK PACKED & SHIPPED AS A UNIT PACKAGE	746881-2
2 EACH PACKAGED AS A UNIT KIT	746881-1

REMARKS		PART NO
UNLESS OTHERWISE SPECIFIED DIMENSIONS ARE IN INCHES TOLERANCES ON: DECIMALS ± .005 ANGLES ± _____		
MATERIAL SCREW: ② RETAINER: ④ FINISH SCREW: ③	CONTRACT NO OR W.ZELKO 4-11-85 CHK J.PEACHY 5-7-85 APPD S.GOOD 5-6-85 APPD D.HOFFMAN 5-8-85 DSGN APPD OTHER APPD	AMP INCORPORATED Harrisburg, Pa. NAME KIT, SCREW RETAINER LOW PROFILE HDF, AMPLIMITE®
	SIZE B	FSCN NO 00779
	SCALE NTS	DRAWING NO 746881
		SHEET 1 of 1

CUSTOMER DRAWING