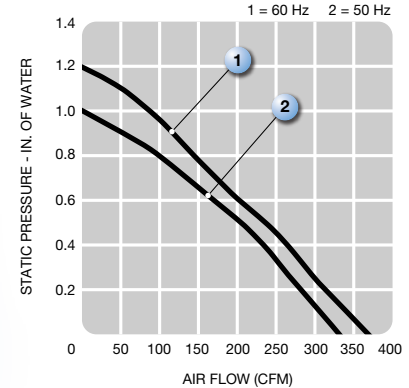
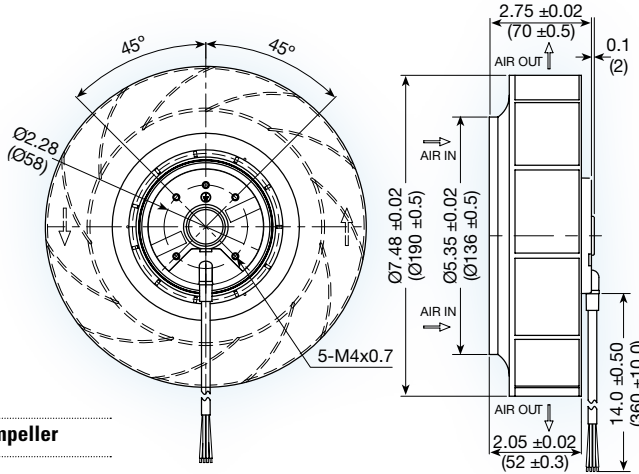


# UF190APA series



**(190 dia. x 70 mm)**  
7.48 dia. x 2.75 inches



<b>Features:</b>	<b>backward curved impeller</b>
<b>Operating voltage:</b>	115 or 230 VAC
<b>Operating temp.</b>	-40° ~ 50°C
<b>Construction:</b>	aluminum die cast motor base; UL94V-0 reinforced nylon impeller
<b>Bearing option:</b>	ball bearing
<b>Motor:</b>	permanent split capacitor required capacitor included
<b>Air Flow:</b>	centrifugal
<b>Connection:</b>	22 AWG lead wires
<b>Protection:</b>	thermal
<b>Option:</b>	tachometer output

Model No.	Rated Voltage V	Freq. HZ	Input Power W	Rated Cur. A	Locked Cur. A	Speed RPM	Air Volume		Max. Static Pressure (H <sub>2</sub> O)		Sound Noise dba	Weight kg
							M <sup>3</sup> /Min.	CFM	MM	INCH		
<b>UF190APA12-H1C2A</b>	115	50	55	0.45	0.92	2,500	9.5	335	25	1.0	60	1.2
	115	60	65	0.54	0.91	2,700	10.4	370	30	1.2	63	1.2
<b>UF190APA23-H1C2A</b>	230	50	57	0.23	0.43	2,500	9.5	335	25	1.0	60	1.2
	230	60	72	0.30	0.45	2,700	10.4	370	30	1.2	63	1.2

