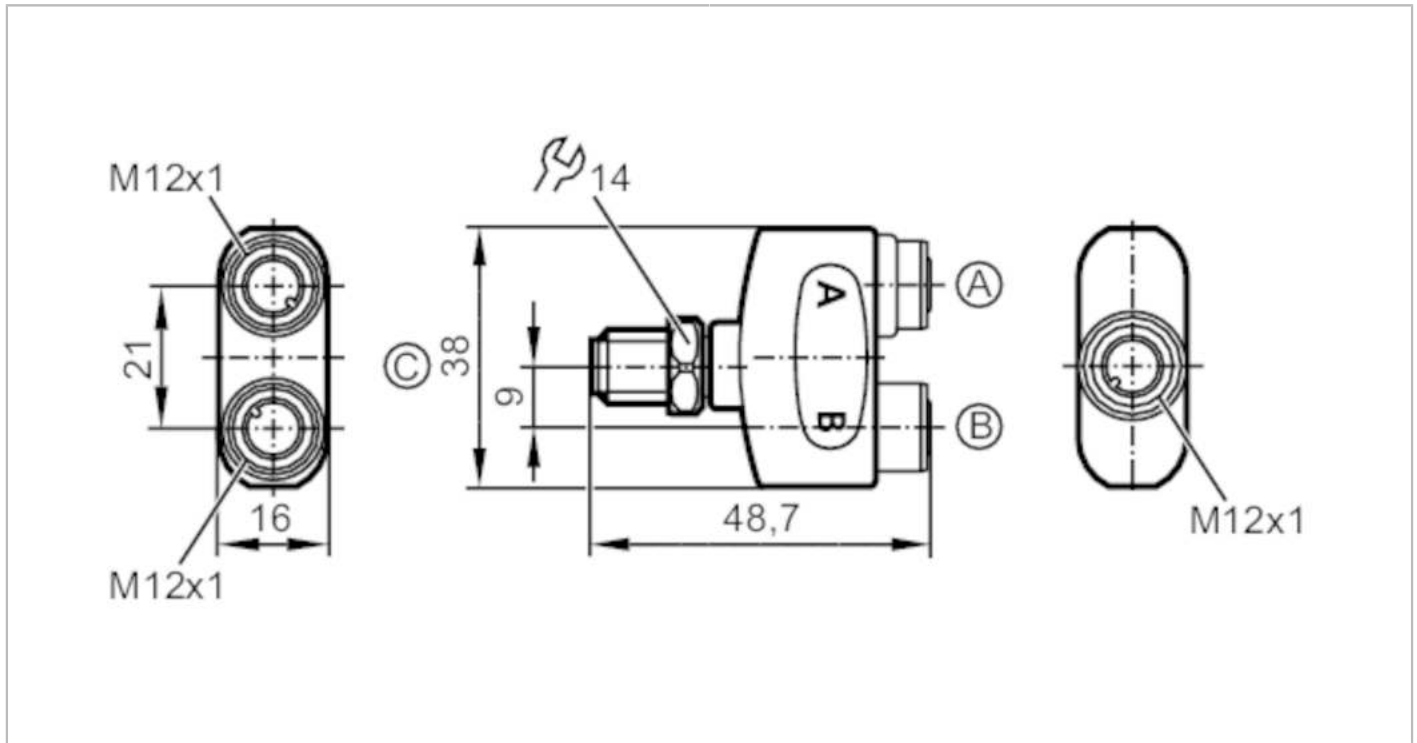


# EBF006



## Y-splitter

ZDO2H030VAS0000-00STGH040VAS



Application		
Special feature	Free from silicone; Gold-plated contacts	
Free from silicone	yes	
Electrical data		
Operating voltage	[V]	< 250 AC / < 300 DC; (cULus: 30 AC / 42 DC)
Protection class		II
Max. current load per module/slot	[A]	4
Max. current load total	[A]	4
Operating conditions		
Ambient temperature	[°C]	-25...100
Note on ambient temperature		cULus: ...65 °C
Storage temperature	[°C]	-25...55
Storage humidity	[%]	10...100
Other climatic conditions for storage according to stated class		1K22/ DIN 60721-3-1
Protection		IP 65; IP 67; IP 68; IP 69K
Tests / approvals		
UL approval	power supply	Class 2
	File number UL	E191684
Mechanical data		
Weight	[g]	33
Materials		housing: PA Halogen-free; Sealing: EPDM

# EBF006



## Y-splitter

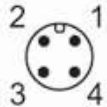
ZDO2H030VAS0000-00STGH040VAS

Moulded-body material	PA, Halogen-free
Material nut	stainless steel (1.4404 / 316L)

### Remarks

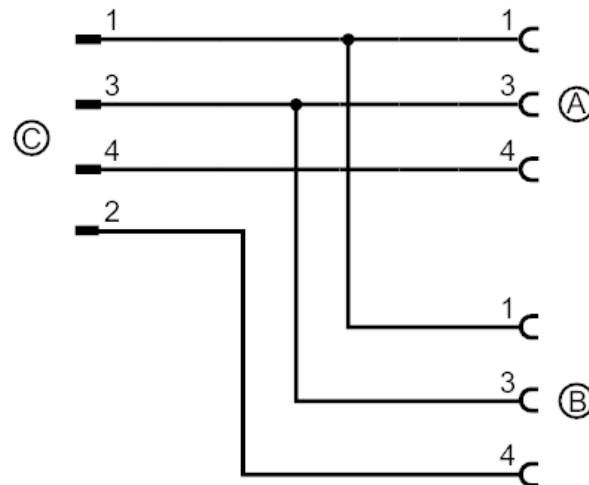
Pack quantity	1 pcs.
---------------	--------

### Electrical connection - plug



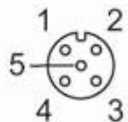
### Electrical connection

#### Connection



connection to IEC 61076-2-101

### Electrical connection - socket



### Electrical connection - plug

Connector: 1 x M12; Moulded body: PA, Halogen-free; Locking: stainless steel (1.4404 / 316L); Contacts: gold-plated; Tightening torque: 0.6...1.2 Nm

# EBF006



## Y-splitter

ZDO2H030VAS0000-00STGH040VAS

### Electrical connection - socket

Connector: 2 x M12; Moulded body: PA, Halogen-free; Locking: stainless steel (1.4404 / 316L); Contacts: gold-plated; Tightening torque: 0.6...1.5 Nm