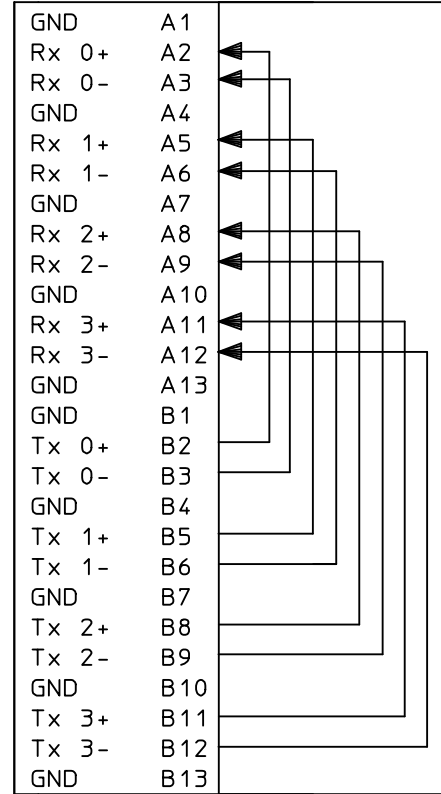
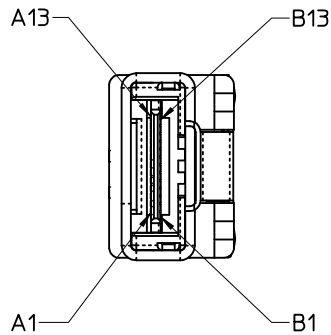


NOTES:

- 1. MATERIAL-
BACKSHELLS - ZINC DIECAST
PULL - MOLDED PLATIC
- 2. PLUG MATES TO RECEPTACLE 75586 SERIES, AND EMI HOUSING ASSY, 74548-0100
- 3. THIS PRODUCT MEETS THE RESTRICTION OF HAZARDOUS SUBSTANCES IN ELECTRICAL AND ELECTRONIC EQUIPMENT (RoHS) DIRECTIVE (2002/95/EC)

ENTER DESCRIPTION EC NO: USY2009-0104 DRWN: JERWIN CHKD: BSCHOESTER APPR: DDOYE A	DESCRIPTION REV	QUALITY SYMBOLS ▽=0 ▽7=0	GENERAL TOLERANCES (UNLESS SPECIFIED) <table border="1"> <tr> <th></th> <th>mm</th> <th>INCH</th> </tr> <tr> <td>4 PLACES</td> <td>± ---</td> <td>± ---</td> </tr> <tr> <td>3 PLACES</td> <td>± ---</td> <td>± ---</td> </tr> <tr> <td>2 PLACES</td> <td>± 0.13</td> <td>± ---</td> </tr> <tr> <td>1 PLACE</td> <td>± 0.25</td> <td>± ---</td> </tr> <tr> <td colspan="3">ANGULAR ±1/2°</td> </tr> </table>		mm	INCH	4 PLACES	± ---	± ---	3 PLACES	± ---	± ---	2 PLACES	± 0.13	± ---	1 PLACE	± 0.25	± ---	ANGULAR ±1/2°			DIMENSION STYLE MM/IN DRAWN BY DATE JERWIN 2008/01/15 CHECKED BY DATE BSCHOESTER 2008/01/15 APPROVED BY DATE DDOYE 2008/01/15	SCALE 1:1 DESIGN UNITS INCH THIRD ANGLE PROJECTION	TITLE LOOPBACK ASSY KEY 2,4,6
		mm	INCH																					
	4 PLACES	± ---	± ---																					
	3 PLACES	± ---	± ---																					
2 PLACES	± 0.13	± ---																						
1 PLACE	± 0.25	± ---																						
ANGULAR ±1/2°																								
DRAFT WHERE APPLICABLE MUST REMAIN WITHIN DIMENSIONS			MATERIAL NO. 745470399	DOCUMENT NO. SD-74547-0399	SHEET NO. 1 OF 2																			
THIS DRAWING CONTAINS INFORMATION THAT IS PROPRIETARY TO MOLEX INCORPORATED AND SHOULD NOT BE USED WITHOUT WRITTEN PERMISSION																								
MOLEX INCORPORATED																								



ENTER DESCRIPTION EC NO: USY2009-0104 DRWN: JERWIN 2008/09/17 CHKD: BSCHOESTER 2008/09/29 APPR: DDOYE 2008/09/30	QUALITY SYMBOLS =0 =0	GENERAL TOLERANCES (UNLESS SPECIFIED)		DIMENSION STYLE MM/IN	SCALE 1:1	DESIGN UNITS INCH	THIRD ANGLE PROJECTION		
		4 PLACES ± --- ± --- 3 PLACES ± --- ± --- 2 PLACES ± 0.13 ± --- 1 PLACE ± 0.25 ± ---	mm INCH	DRAWN BY DATE JERWIN 2008/01/15	CHECKED BY DATE BSCHOESTER 2008/01/15	TITLE LOOPBACK ASSY KEY 2,4,6			
		ANGULAR ±1/2°		APPROVED BY DATE DDOYE 2008/01/15	MOLEX INCORPORATED				
		DRAFT WHERE APPLICABLE MUST REMAIN WITHIN DIMENSIONS		MATERIAL NO. 745470399	DOCUMENT NO. SD-74547-0399	SHEET NO. 2 OF 2			