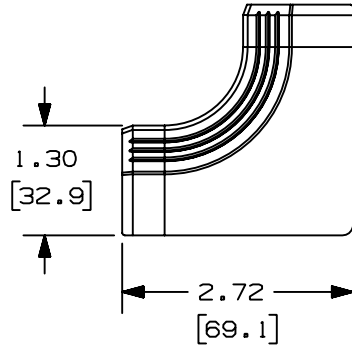
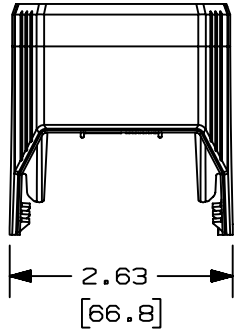


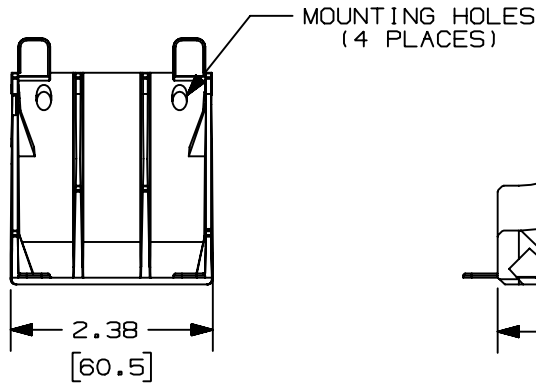
THIS COPY IS PROVIDED ON A RESTRICTED BASIS AND IS NOT TO BE USED IN ANY WAY DETRIMENTAL TO THE INTERESTS OF PANDUIT CORP.

PANDUIT P/N	WEIGHT
T45IC	1.63 LB/10 PCS 741.03 g/10 PCS

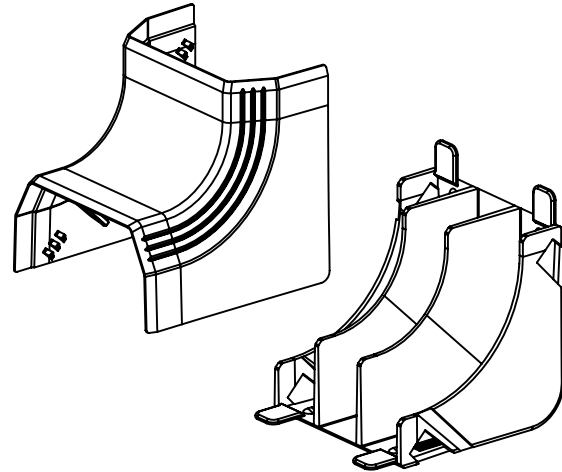
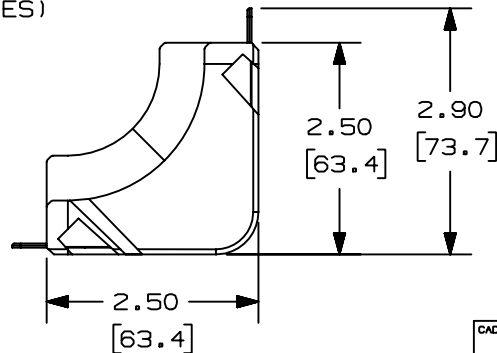


NOTES:

- SEE CURRENT CATALOG FOR ADDITIONAL PART SUFFIXES TO INDICATE COLOR AND OR PACKAGE QUANTITY.
- THIS PRODUCT IS INTENDED TO BE USED WITH PANDUIT TYPE T-45.
- DIMENSIONS IN PARENTHESIS ARE IN METRIC.



MOUNTING HOLES  
(4 PLACES)



CAD FILENAME/LAYERS D36975DX\_DC\_T45IC\_00B.PRT

PANDUIT CORP. TINLEY PARK, ILLINOIS  
T-45 INSIDE CORNER FITTING (T45IC)  
CUSTOMER DRAWING

UNLESS OTHERWISE SPECIFIED,  
DIMENSIONAL TOLERANCES ARE:  
(.X) ± (.XXX) ±  
(.XX) ±.03(.8) ANGLES ±

UNLESS OTHERWISE SPECIFIED,  
ALL DIMENSIONS ARE GIVEN  
IN INCHES, THIRD ANGLE PROJECTION.

REV	DATE	BY	CHK	DESCRIPTION	ECN	CHK	CUST	SUP
I	01-12-00	RABO	HIW	A. REVISED MOUNTING HOLES	36975-59	HIW	HIW	
R	10-28-99	RABO	HIW	RELEASED TO PRODUCTION.	36975-59	HIW	HIW	

DRAWN BY RABO	MAT'L: PVC	SCALE NONE
DATE 10-28-99	CHECKED BY BKR	DRAWING NO. 36975-59
		DWG A SIZE