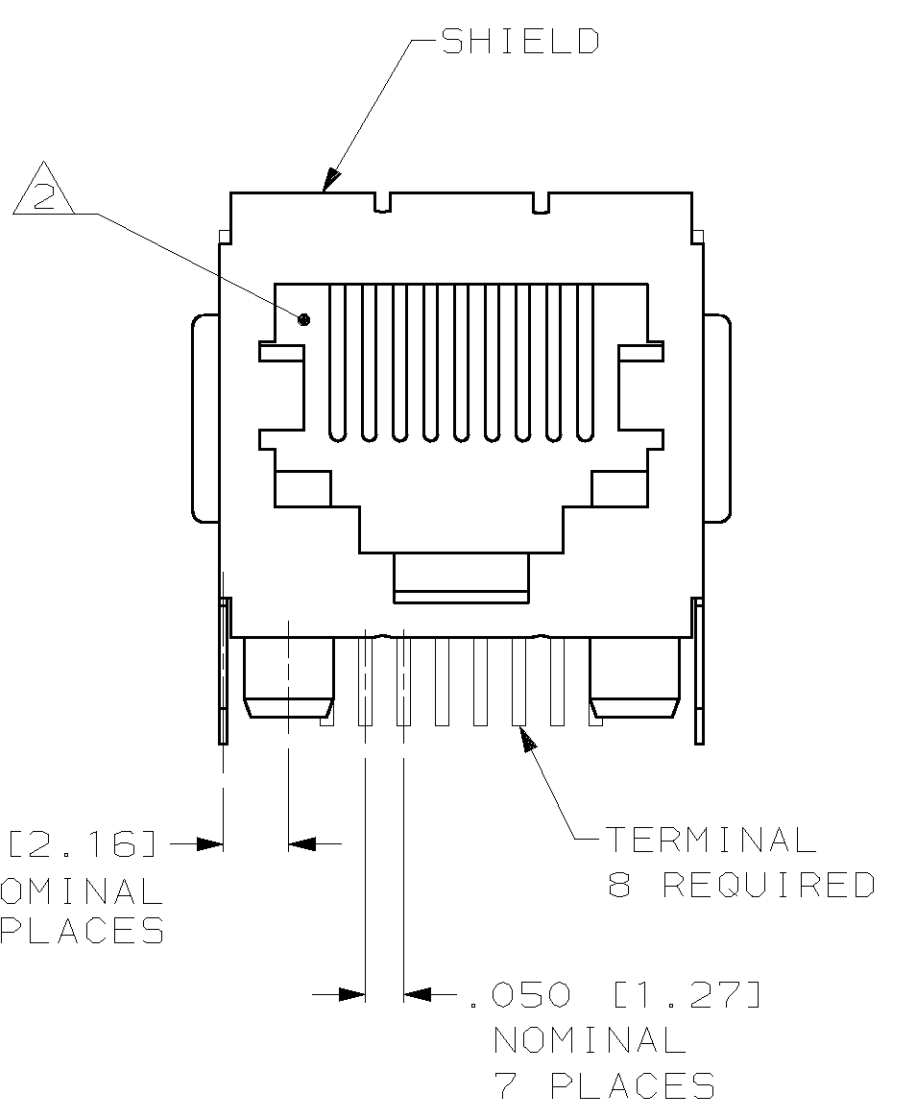
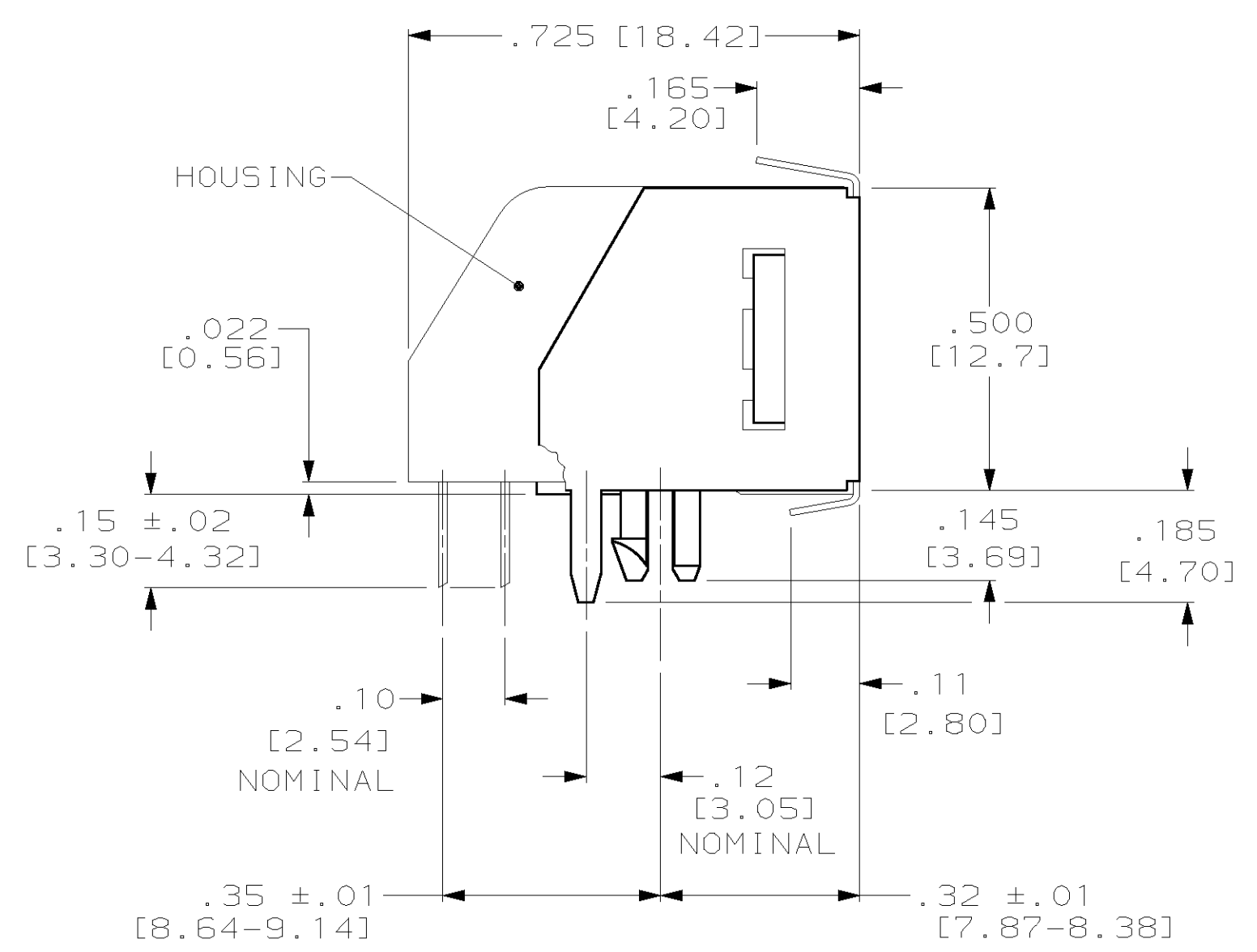
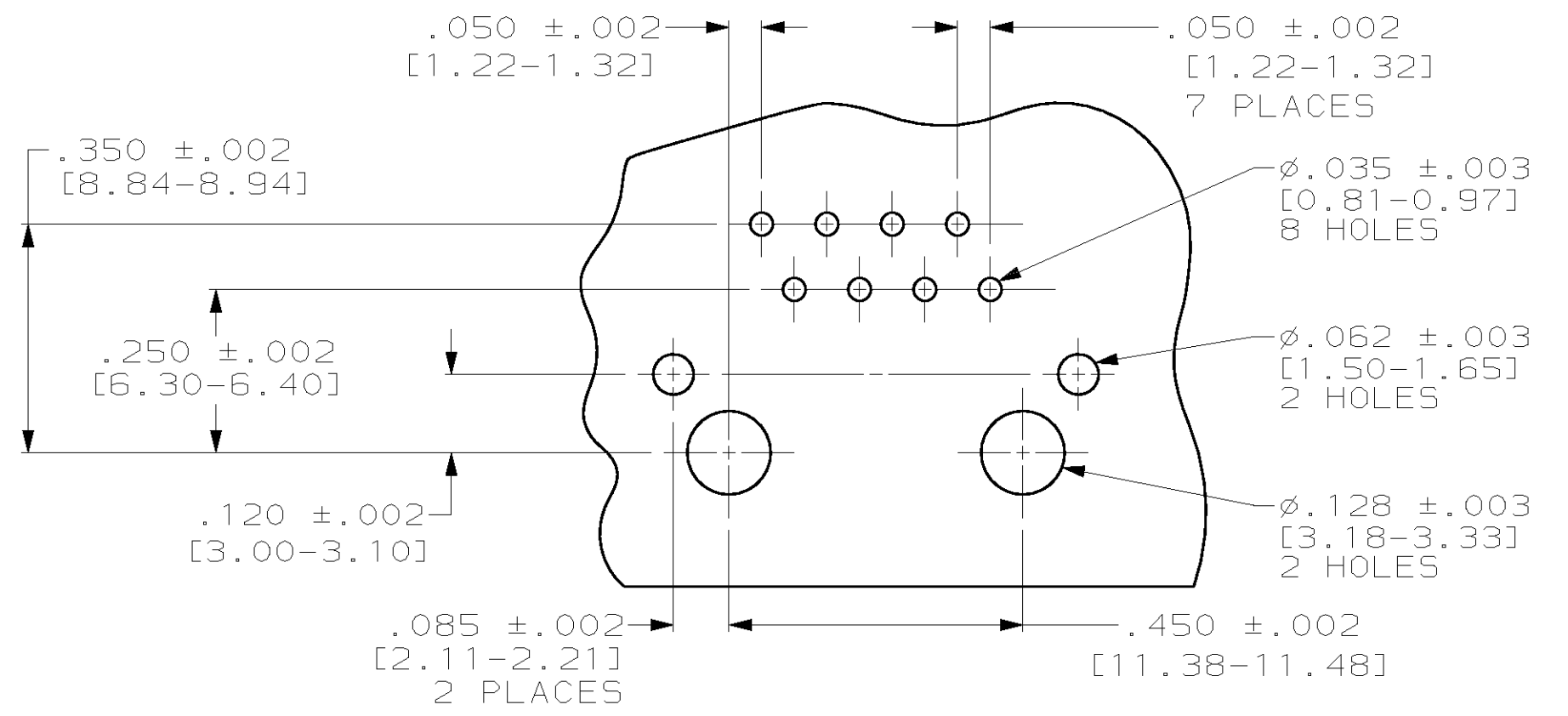
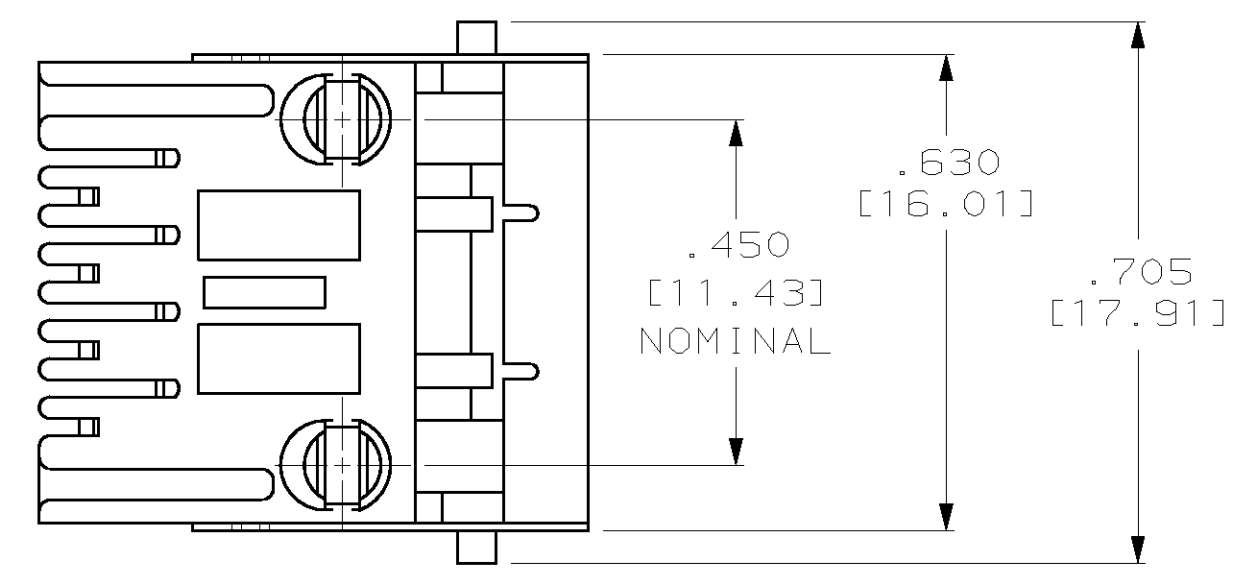


THIS DRAWING IS UNPUBLISHED. RELEASED FOR PUBLICATION .19
 (C) COPYRIGHT 19 BY AMP INCORPORATED. ALL RIGHTS RESERVED.

LOC	DIST	REVISIONS			
P	LTR	DESCRIPTION	DATE	DWN	APVD
AA	22	A	REVISED PER EC 0210-0442-95	08NOV95	DS JT



- 1 MATERIAL: HOUSING - PBT POLYESTER, BLACK. TERMINAL - .0138 [0.35] THICK PH05-BRONZE PLATED WITH .000050 [1.27µm] THICK HARD GOLD IN LOCALIZED GOLD PLATE AREA AND .000080 [2.03µm] MINIMUM THICK TIN-LEAD IN SOLDER AREA OVER .000050 [1.27µm] MINIMUM THICK NICKEL UNDERPLATE. SHIELD - .010 [0.25] THICK COPPER ALLOY, TIN-LEAD PLATED.
- 2 CAVITY CONFORMS TO FCC RULES AND REGULATIONS PART 68, SUBPART F.
- 3. FOR APPLICATION INFORMATION SEE AMP SPEC 114-2048.
- 4. FOR PERFORMANCE REQUIREMENTS SEE AMP SPEC 108-1163.
- 5 ALL DIMENSIONS ARE MAXIMUM UNLESS OTHERWISE SPECIFIED.
- 6. DIMENSIONS IN BRACKETS [] ARE IN MILLIMETERS.



SUGGESTED PRINTED CIRCUIT BOARD
 MOUNTING HOLE LAYOUT
 VIEW SHOWN AS CIRCUIT SIDE OF BOARD

556926-1
 PART NUMBER

THIS DRAWING IS A CONTROLLED DOCUMENT.		DWN D. STRAUSSER 30 JAN 91	AMP Incorporated Harrisburg, PA 17105-3608	
DIMENSIONS: INCHES [mm]		CHK B. FOX 04 APR 91	NAME MODULAR JACK ASSEMBLY, SHIELDED, 8 POSITION, LOW PROFILE, RIGHT ANGLE, WITH PANEL GROUNDS	
TOLERANCES UNLESS OTHERWISE SPECIFIED:		APVD G. REED 04 APR 91	SIZE A2	
0 PLC ±- 1 PLC ±- 2 PLC ±- 3 PLC ±- 4 PLC ±- ANGLES ±-		PRODUCT SPEC -	CAGE CODE 00779	DRAWING NO 556926
MATERIAL 1		APPLICATION SPEC -	WEIGHT -	RESTRICTED TO -
FINISH 1		CUSTOMER DRAWING	SCALE 4:1	SHEET 1 OF 1

556926