

| TABLE OF CONTENTS | |
|-------------------|--------------------------|
| SHEET NO. | SHEET DESCRIPTION |
| 1 | NOTES AND BOM |
| 2 | CONFIGURATIONS |
| 3-4 | KEY CONFIGURATIONS |
| 5 | BLADE CONNECTOR ASSEMBLY |
| 6 | SYSTEM PACKAGING |
| 7 | BACKSHELL NOTES |
| 8 | BACKSHELL |
| 9 | BACKSHELL CONFIGURATIONS |

NOTES: VALID UNLESS OTHERWISE SPECIFIED

1. GENERAL:

a. APPLICATION SPECIFICATION SEE: AS-33472-100
 -CONTAINS: PRODUCT INTRODUCTION, PRODUCT SUMMARY, CONNECTOR ASSEMBLY, PACKAGING INFORMATION, CONNECTOR MATING, SERVICE INSTRUCTIONS, ELECTRICAL CONTINUITY CHECKING, CRIMPING, AND TROUBLESHOOTING.
 -DESIGNED TO MATE WITH CONNECTOR AS SPECIFIED IN THE MATING CONNECTOR DRAWINGS CHART.
 -ASSEMBLY SHIPPED WITH PLR IN PRE-LOCK POSITION (SEE PLR PRE-LOCK VIEW SHEET 5).

b. PRODUCT SPECIFICATION SEE: PS-160008-0001
 CONTAINS: SCOPE, PRODUCT DESCRIPTION, INTEGRAL COMPONENTS AND ACCESSORIES, APPLICABLE DOCUMENTS AND SPECIFICATIONS, RATINGS, PERFORMANCE, PACKAGING, GAUGES AND FIXTURES, AND OTHER INFORMATION.

c. PACKAGING SPECIFICATION PER MOLEX DRAWING: SEE PACKAGING CHART.

d. PARTS MUST BE IN COMPLIANCE TO MOLEX CHEMICAL SUBSTANCES FOR PRODUCTS AND PACKAGING SPECIFICATION: QEHS-699000-300

e. DATA MUST BE SUBMITTED UNDER THE MOLEX PART NUMBER TO IMDS (COMPANY ID#13255)

2. DESIGN - MATERIALS:

a. SEE BOM TABLE IN SD-160011-0002

3. DESIGN - GEOMETRY:

a. THE 3-D CAD DATA IS BASIC (WITHOUT TOLERANCE) AND MASTER FOR THIS PART WITH THE EXCEPTION OF UNDERLINED DIMENSIONS. DIMENSIONAL INFORMATION NOT SHOWN ON THIS DRAWING IS DEFINED BY THE DATA FILE AT ITS LATEST REVISION.

b. GEOMETRIC DIMENSIONS AND TOLERANCES PER ASME Y14.5M-2009

c. EDGES AND UNDIMENSIONED DETAILS PER ISO13715

d. CORNERS SHOWN AS SHARP TO BE R 0.2 MAX.

e. LETTERING SHALL BE 0.15 MAX RAISED IN 0.25 MAX RECESS PAD. THIS INCLUDES RECYCLING CODE, CAVITY ID, VENDOR IDENTIFICATION, AND CUSTOMER MATERIAL NUMBER.

f. VISUAL DEFECTS SHALL MEET COSMETIC STANDARD PS-45499-002 (Class B).

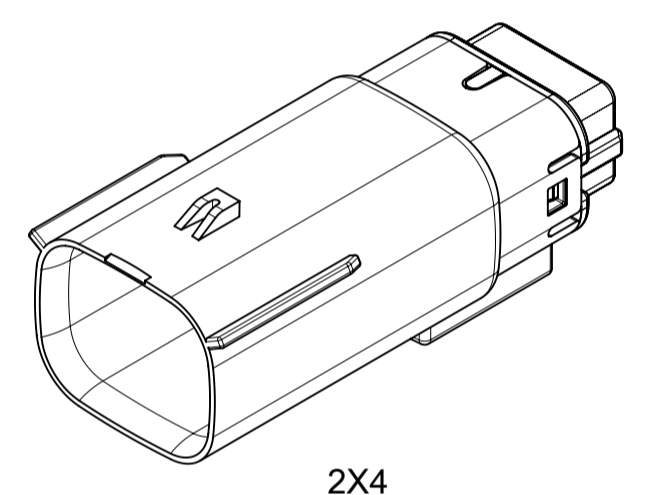
g. LASER MARKING:

- PART NUMBER
- DAY OF THE YEAR
- SHIFT
- YEAR

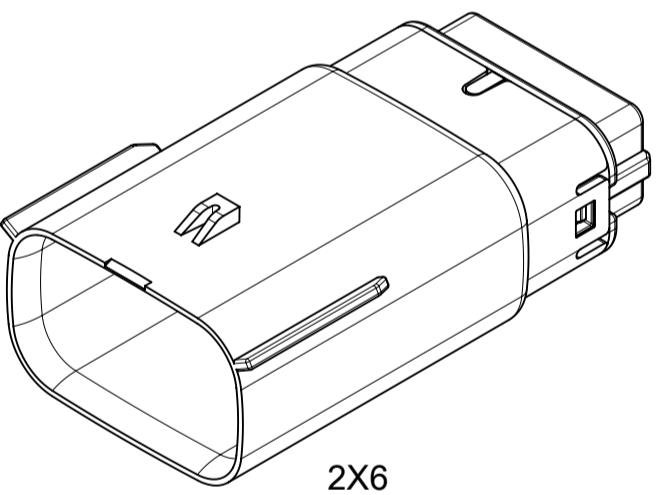
FOR ADDITIONAL INFORMATION REFERENCE SECTION 5 UNDER PROCEDURES IN ES-34735-008.

| PACKAGING | |
|-------------|--------------|
| DESCRIPTION | DRAWING NO. |
| 2X2 | TBD |
| 2X3 | TBD |
| 2X4 | PK-36518-392 |
| 2X6 | PK-31300-635 |
| 2X8 | TBD |
| 2X10 | PK-31300-635 |

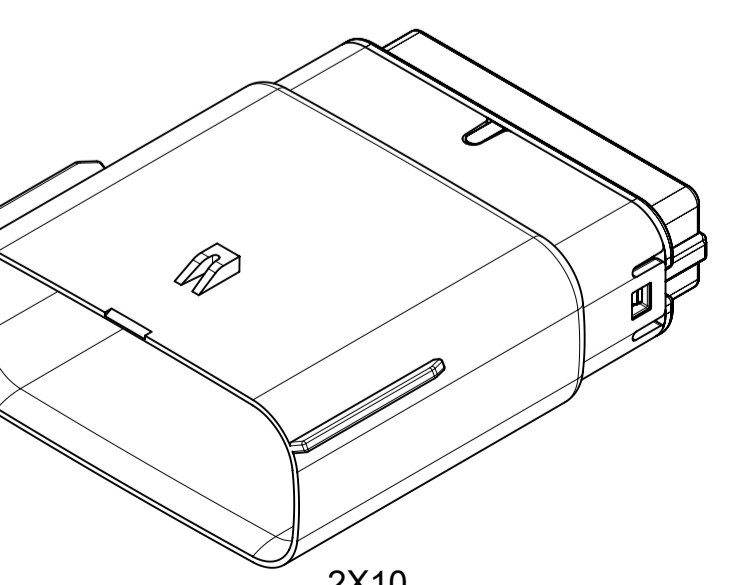
| MATING CONNECTOR DRAWINGS | |
|---------------------------|----------------|
| DESCRIPTION | MOLEX INLINE |
| 2X2 | TBD |
| 2X3 | TBD |
| 2X4 | SD-160008-0001 |
| 2X6 | SD-160008-0001 |
| 2X8 | TBD |
| 2X10 | SD-160018-0001 |



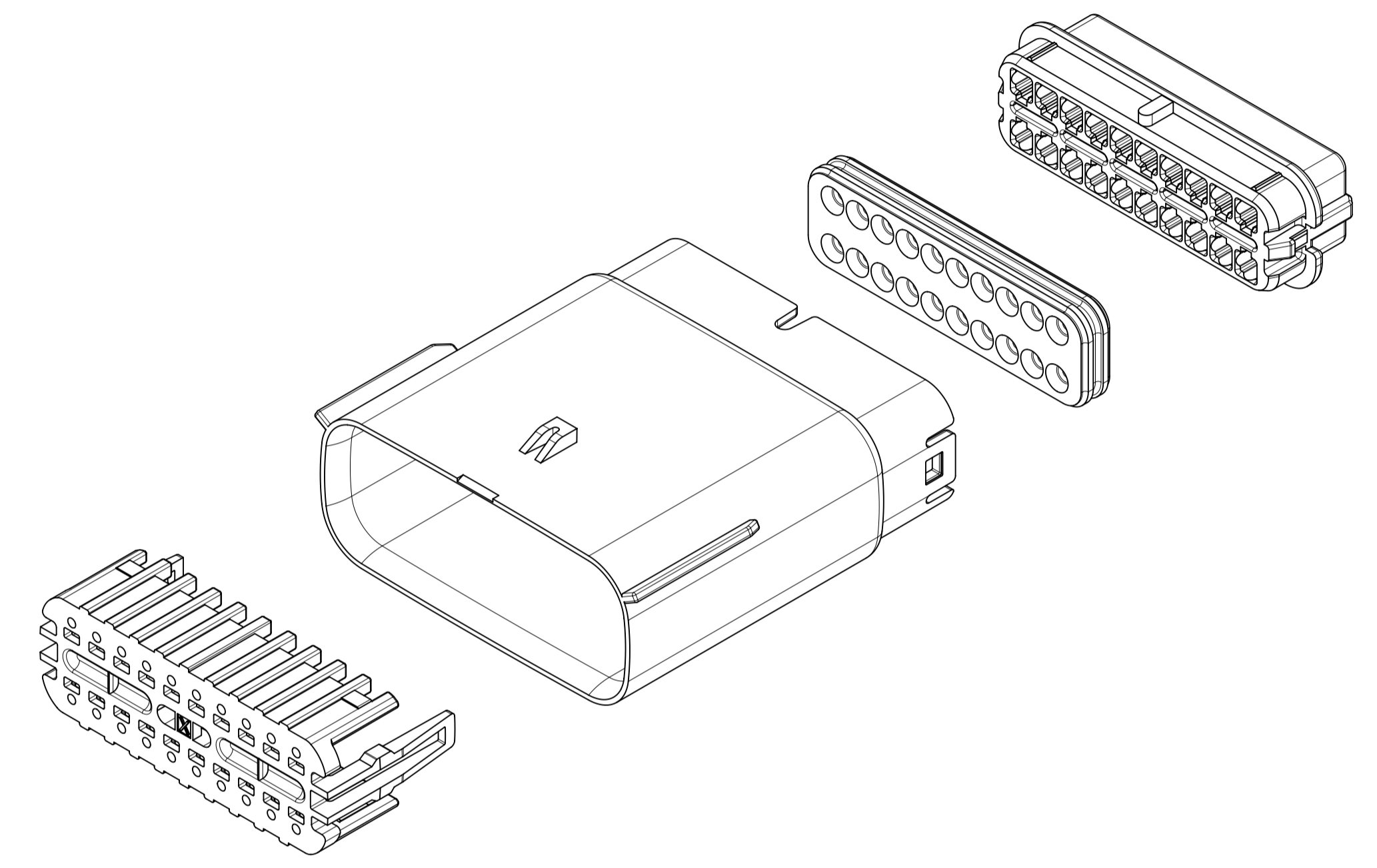
2X4



2X6



2X10



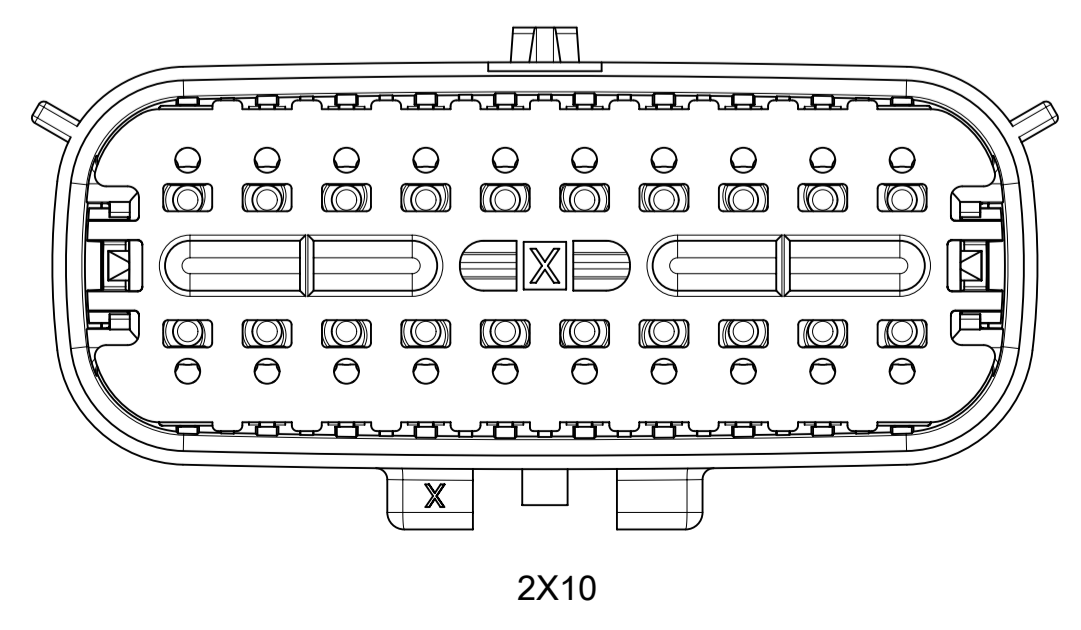
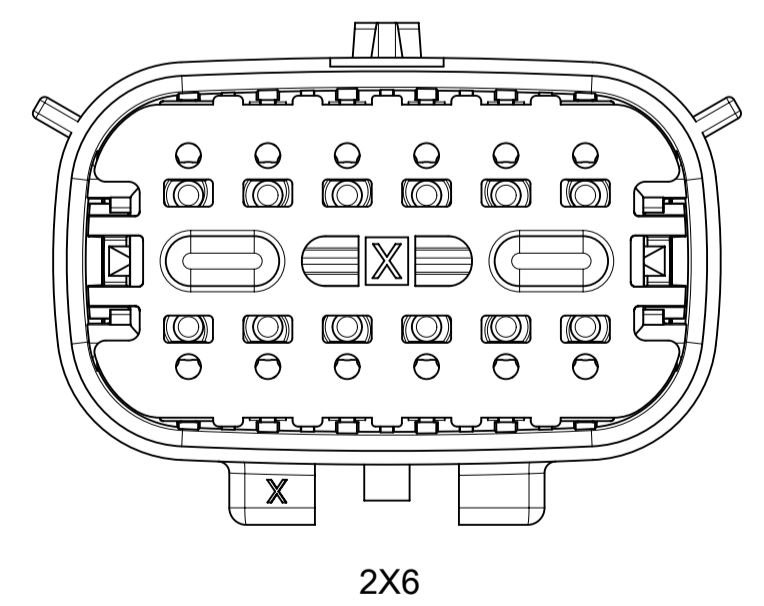
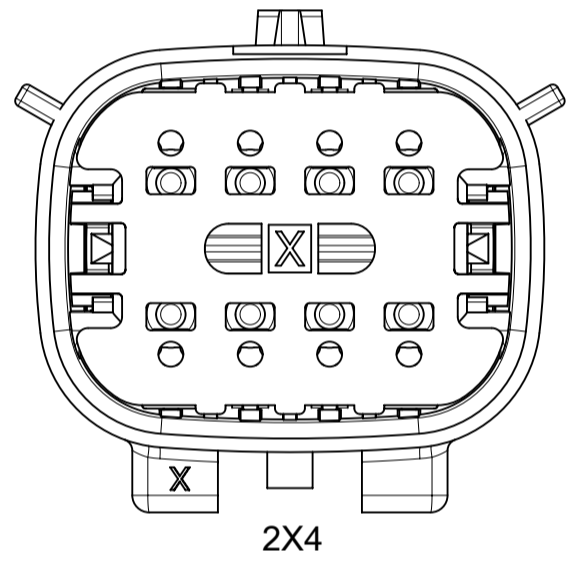
| INSPECTION NUMBER LOG | |
|-----------------------|--|
| LAST NUMBER: | |
| ADDED: | |
| REMOVED: | |

| | |
|-----|---|
| A5 | ADDED MOLEX BACKSHELL DETAILS |
| A4 | MIGRATED FROM COCREATE AND IMPORTED DXF FILES |
| A3 | ADDED SHEET 6 & UPDATED PASS THRU |
| A2 | UPDATED NOTES & BACKSHELL INFO |
| A1 | CORRECTED DIM 16 |
| A | INITIAL RELEASE |
| REV | REV DESCRIPTION |

| | | | | | | |
|---|---|--|--|--|--|--|
| SYMBOLS = 0 mm = 0 1.5:1 = 0 GENERAL TOLERANCES (UNLESS SPECIFIED) = 0 ANGULAR TOL ± 3.0° = 0 4 PLACES ± = 0 3 PLACES ± = 0 2 PLACES ± 0.1 = 0 1 PLACE ± 0.2 = 0 0 PLACES ± = 0 DRAFT WHERE APPLICABLE MUST REMAIN WITHIN DIMENSIONS | THIS DRAWING CONTAINS INFORMATION THAT IS PROPRIETARY TO MOLEX ELECTRONIC TECHNOLOGIES, LLC AND SHOULD NOT BE USED WITHOUT WRITTEN PERMISSION | | CURRENT REV DESC: EC NO: 171650 DRWN: PMANJUNATHAC 2018/01/01 CHK'D: MVANSLAMBROU 2018/02/16 APPR: MVANSLAMBROU 2018/02/16 | | | |
| | GENERAL TOLERANCES (UNLESS SPECIFIED) | | INITIAL REVISION: DRWN: KBORUSZEWSKI 2014/02/19 APPR: VKOSHY 2014/03/05 | | | |
| | PRODUCT CUSTOMER DRAWING | | DOCUMENT NUMBER: SD-160011-0001 DOC TYPE: PSD DOC PART: 001 REVISION: A5 | | MATERIAL NUMBER: 160011 CUSTOMER: GENERAL MARKET SHEET NUMBER: 1 OF 11 | |
| | DRAFT WHERE APPLICABLE MUST REMAIN WITHIN DIMENSIONS | | THIRD ANGLE PROJECTION | | DRAWING: A1-SIZE SERIES: 160011 | |

| | | | | |
|-----------------|----|--------------|------------|----------|
| DOCUMENT STATUS | P1 | RELEASE DATE | 2018/02/16 | 22:02:24 |
|-----------------|----|--------------|------------|----------|

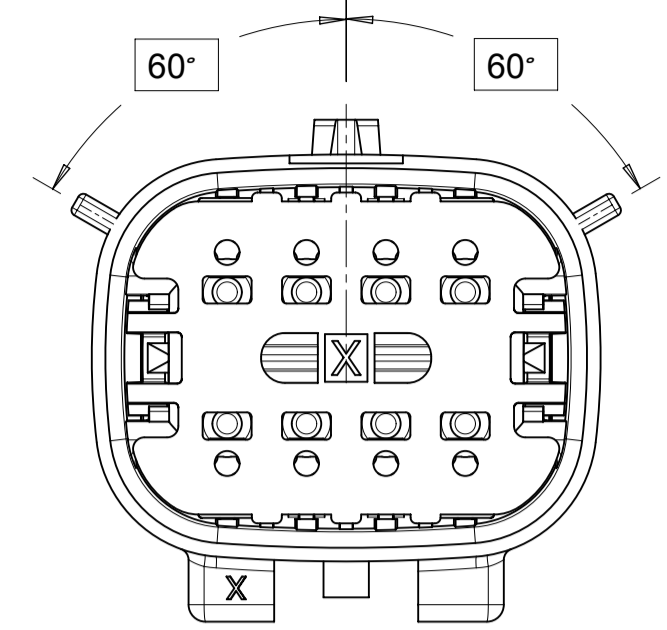
SHEET DESCRIPTION
CONFIGURATIONS



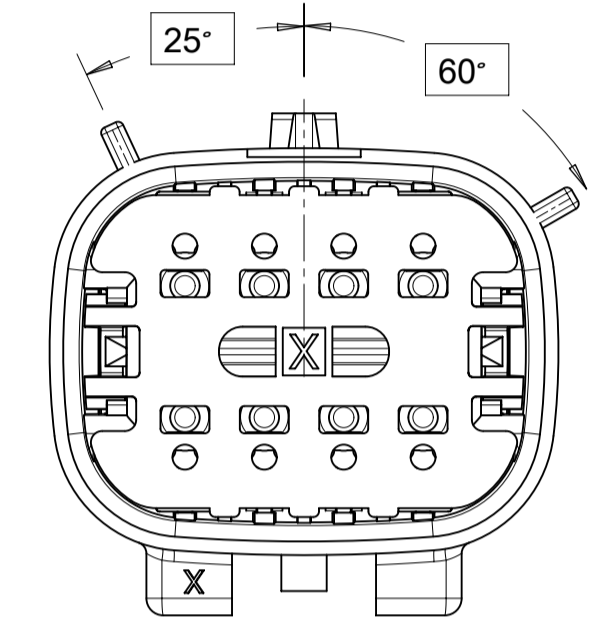
| | | | | | | | |
|---------|---|-------|------------------------|------------|-----------------------------------|----------------|---------|
| SYMBOLS | THIS DRAWING CONTAINS INFORMATION THAT IS PROPRIETARY TO MOLEX ELECTRONIC TECHNOLOGIES, LLC AND SHOULD NOT BE USED WITHOUT WRITTEN PERMISSION | | CURRENT REV DESC: | | | | |
| | DIMENSION UNITS | SCALE | | | | | |
| ▽ = 0 | mm | 3:1 | DRWN: PMANJUNATHAC | 2018/01/01 | MX150 GEN 2 BLADE | | |
| ▽ = 0 | GENERAL TOLERANCES (UNLESS SPECIFIED) | | CHK'D: MVANSLAMBROU | 2018/02/16 | DUAL ROW SEALED ASSEMBLY MAT SEAL | | |
| ▽ = 0 | ANGULAR TOL ± 3.0° | | APPR: MVANSLAMBROU | 2018/02/16 | PRODUCT CUSTOMER DRAWING | | |
| ▽ = 0 | 4 PLACES | ± | INITIAL REVISION: | | SD-160011-0001 | | |
| ▽ = 0 | 3 PLACES | ± | DRWN: KBORUSZEWSKI | 2014/02/19 | CUSTOMER | GENERAL MARKET | |
| ▽ = 0 | 2 PLACES | ± 0.1 | APPR: VKOSHY | 2014/03/05 | SHEET NUMBER | | 2 OF 11 |
| ▽ = 0 | 1 PLACE | ± 0.2 | THIRD ANGLE PROJECTION | | MATERIAL NUMBER | | |
| ▽ = 0 | 0 PLACES | ± | DRAWING | | SERIES | | |
| ▽ = 0 | DRAFT WHERE APPLICABLE MUST REMAIN WITHIN DIMENSIONS | | A1-SIZE | | 160011 | | |

SHEET DESCRIPTION
KEY CONFIGURATIONS

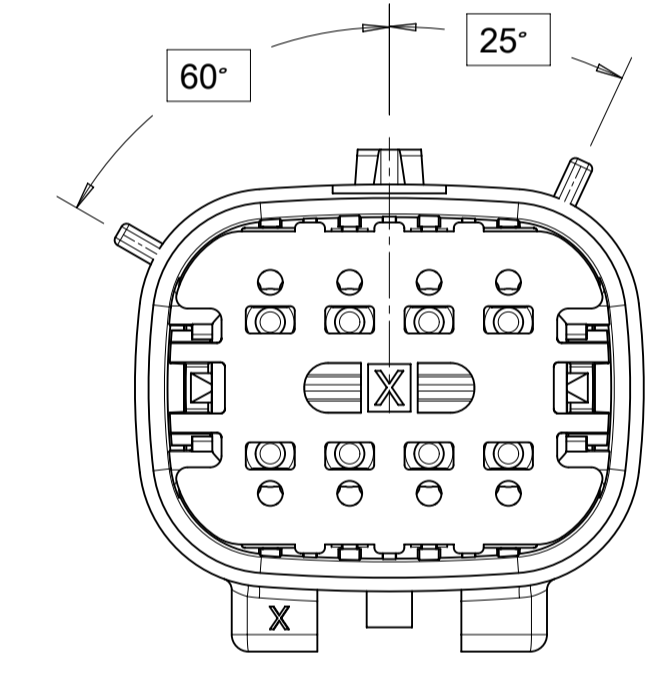
2X4



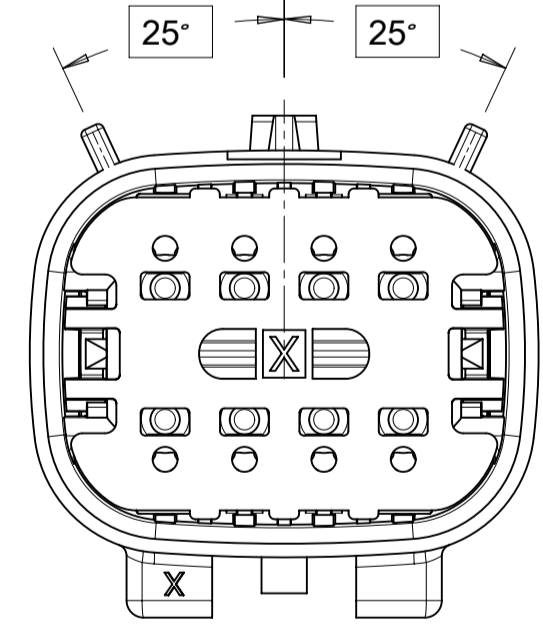
KEY A



KEY B



KEY C



KEY D

THIS DRAWING CONTAINS INFORMATION THAT IS PROPRIETARY TO MOLEX ELECTRONIC TECHNOLOGIES, LLC AND SHOULD NOT BE USED WITHOUT WRITTEN PERMISSION

| SYMBOLS | DIMENSION UNITS | SCALE |
|---------|--|-------|
| | mm | 3:1 |
| | GENERAL TOLERANCES (UNLESS SPECIFIED) | |
| | ANGULAR TOL ± 3.0° | |
| | 4 PLACES | ± |
| | 3 PLACES | ± |
| | 2 PLACES | ± 0.1 |
| | 1 PLACE | ± 0.2 |
| | 0 PLACES | ± |
| | DRAFT WHERE APPLICABLE MUST REMAIN WITHIN DIMENSIONS | |

| CURRENT REV DESC: | | |
|------------------------|--------------|------------|
| EC NO: | 171650 | |
| DRWN: | PMANJUNATHAC | 2018/01/01 |
| CHK'D: | MVANSLAMBROU | 2018/02/16 |
| APPR: | MVANSLAMBROU | 2018/02/16 |
| INITIAL REVISION: | | |
| DRWN: | KBORUSZEWSKI | 2014/02/19 |
| APPR: | VKOSHY | 2014/03/05 |
| THIRD ANGLE PROJECTION | DRAWING | SERIES |
| | A1-SIZE | 160011 |

molex

MX150 GEN 2 BLADE
DUAL ROW SEALED ASSEMBLY MAT SEAL

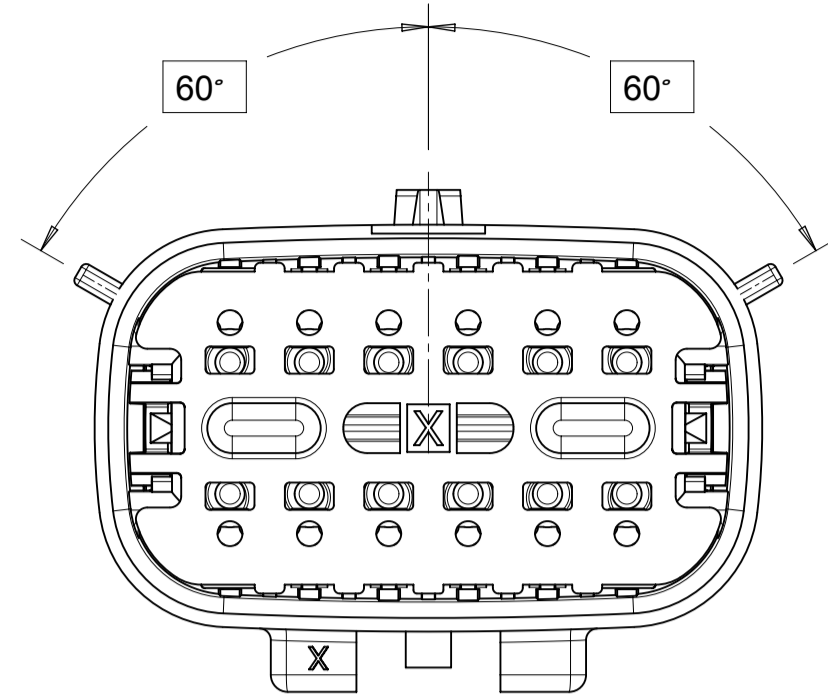
PRODUCT CUSTOMER DRAWING

| DOCUMENT NUMBER | DOC TYPE | DOC PART | REVISION |
|-----------------|----------|----------|----------|
| SD-160011-0001 | PSD | 001 | A5 |

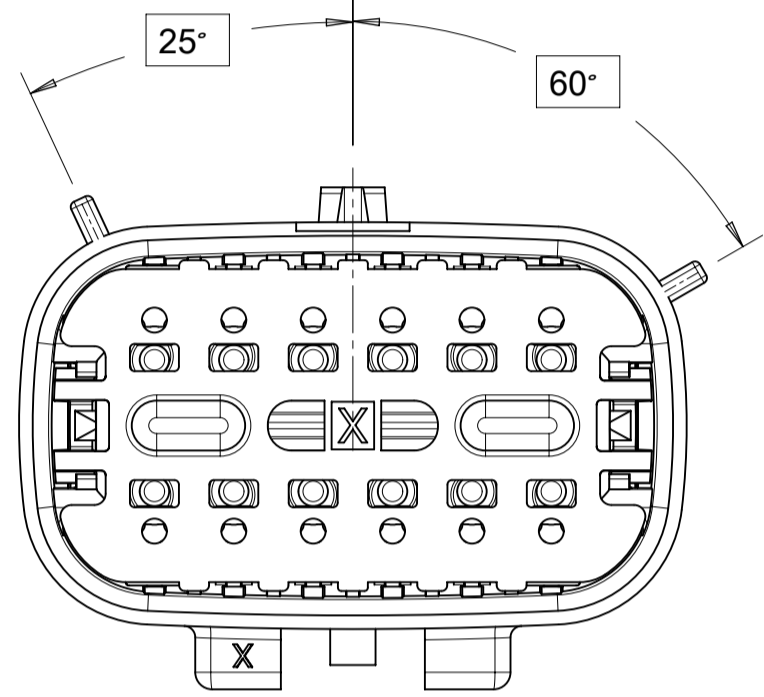
| MATERIAL NUMBER | CUSTOMER | SHEET NUMBER |
|-----------------|----------------|--------------|
| | GENERAL MARKET | 3 OF 11 |

SHEET DESCRIPTION
KEY CONFIGURATIONS CONT.

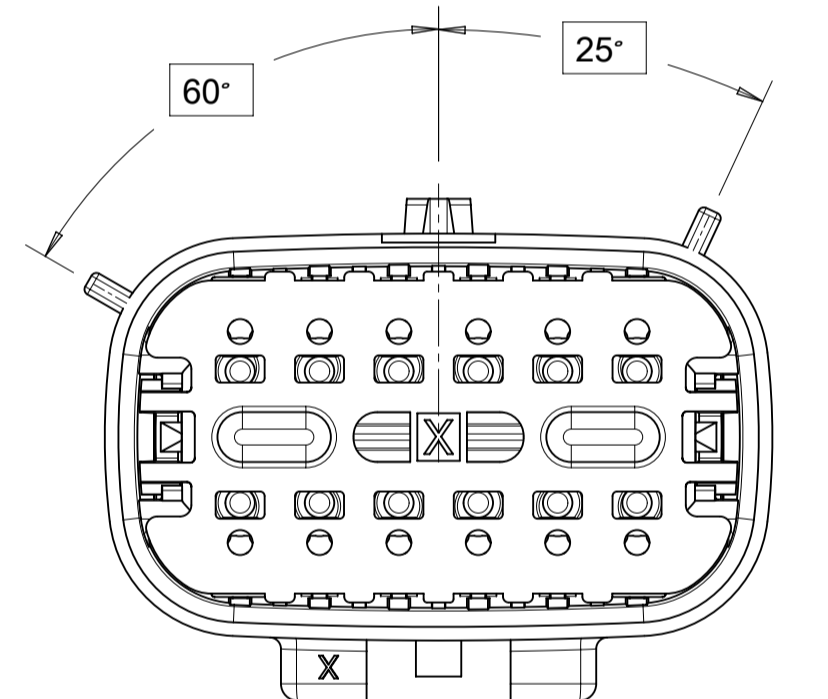
2X6



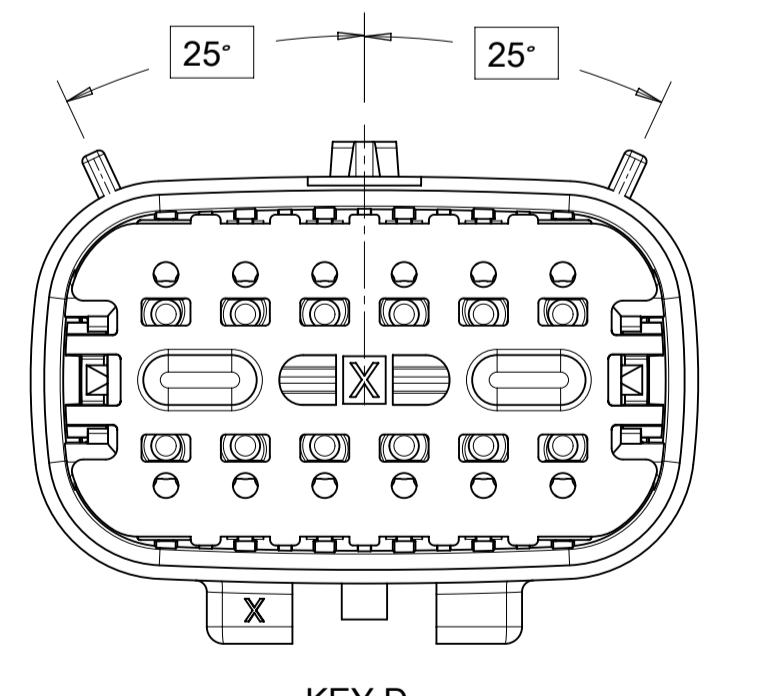
KEY A



KEY B

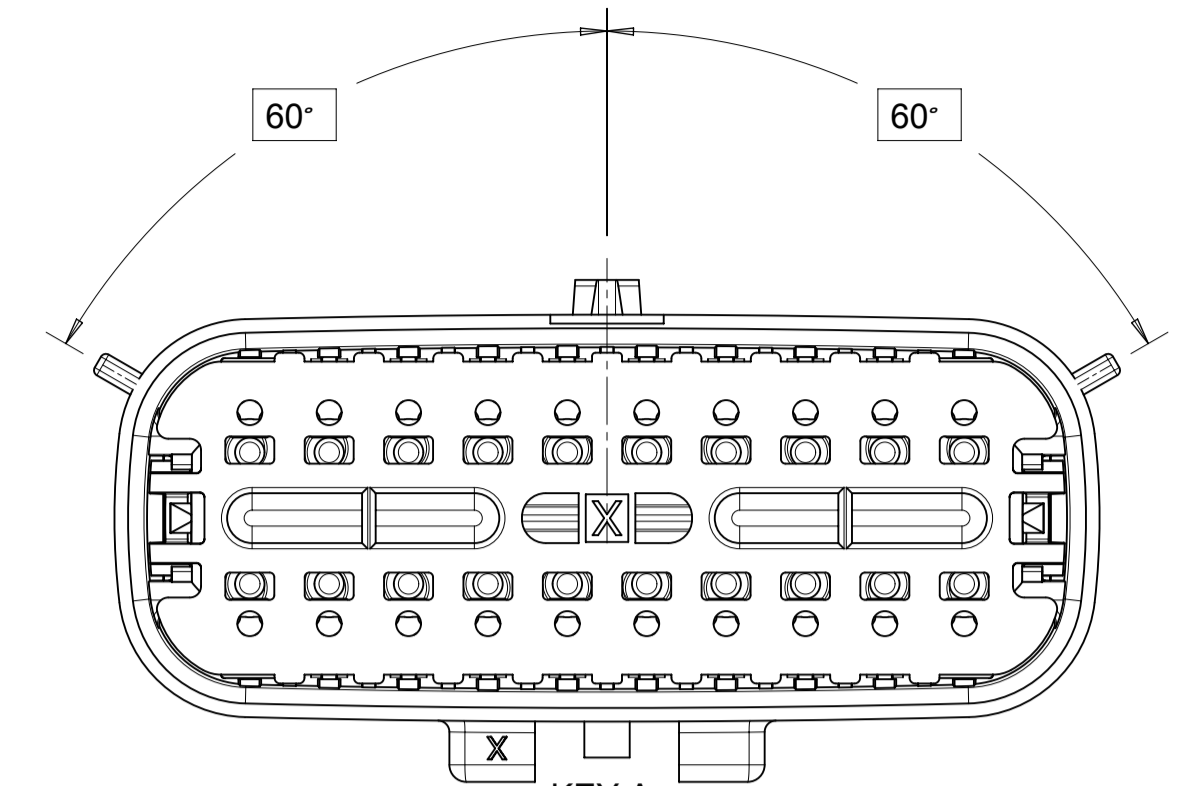


KEY C

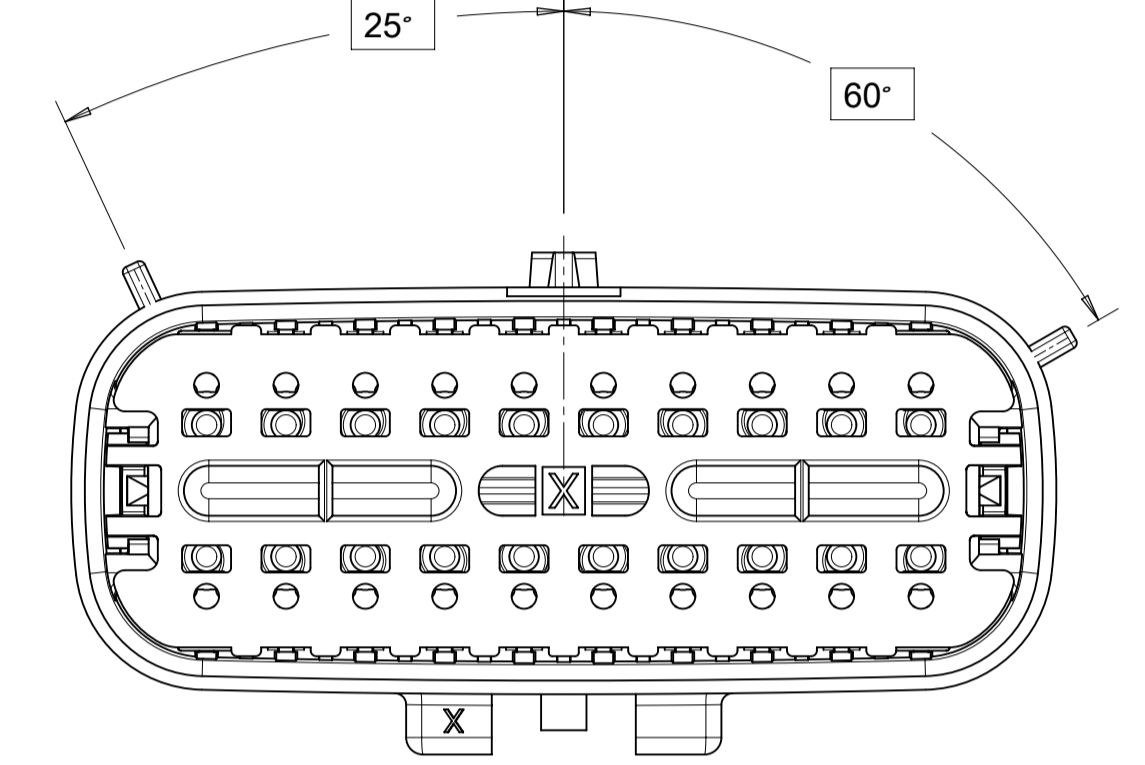


KEY D

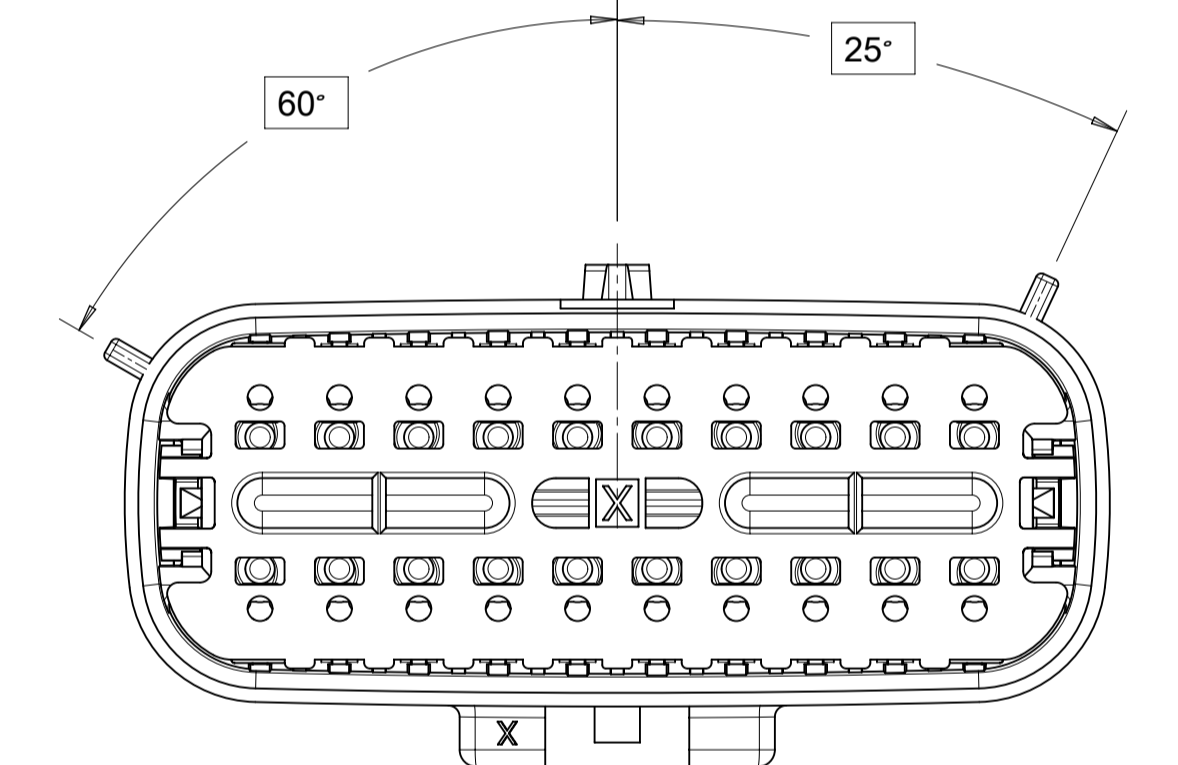
2X10



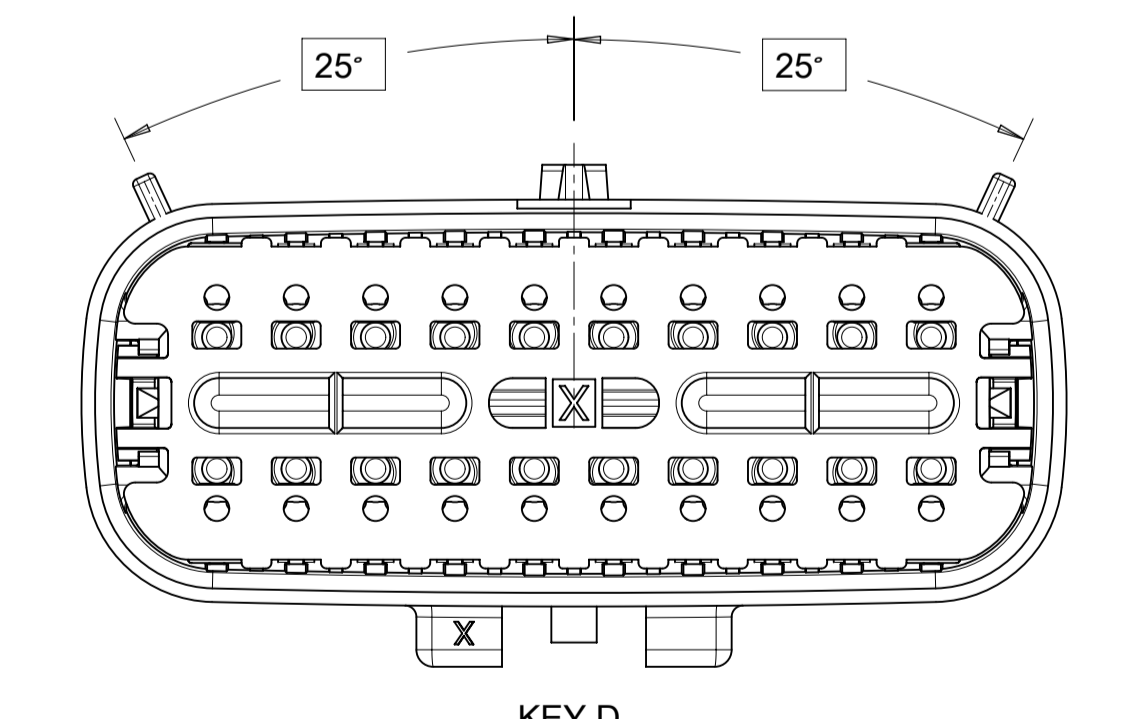
KEY A



KEY B



KEY C

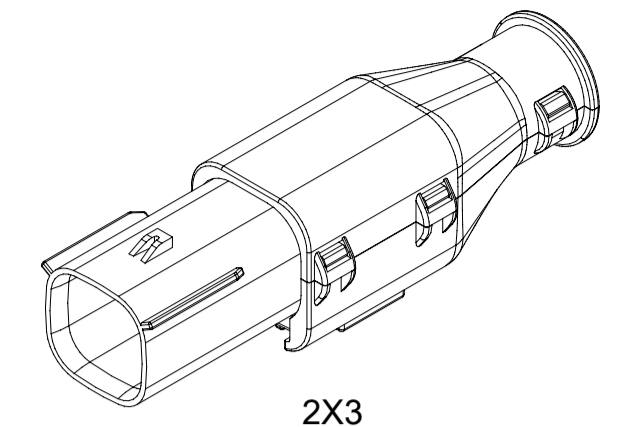


KEY D

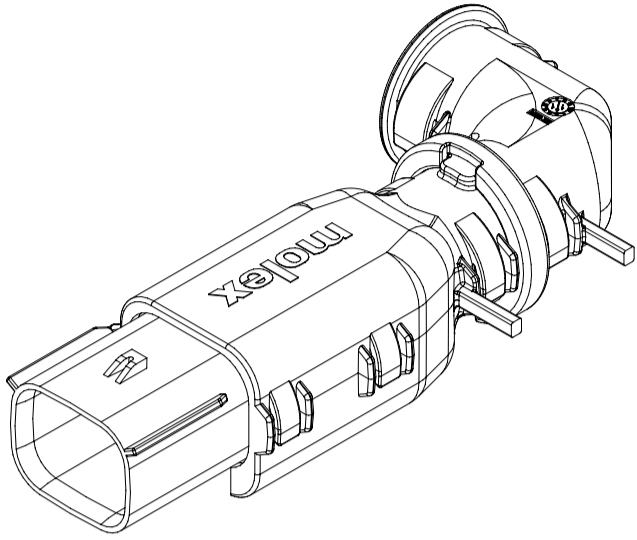
| | | | |
|--|---|---|--|
| SYMBOLS = 0 | THIS DRAWING CONTAINS INFORMATION THAT IS PROPRIETARY TO MOLEX ELECTRONIC TECHNOLOGIES, LLC AND SHOULD NOT BE USED WITHOUT WRITTEN PERMISSION DIMENSION UNITS: mm SCALE: 3:1 GENERAL TOLERANCES (UNLESS SPECIFIED) ANGULAR TOL: ± 3.0° 4 PLACES ± 3 PLACES ± 2 PLACES ± 0.1 1 PLACE ± 0.2 0 PLACES ± DRAFT WHERE APPLICABLE MUST REMAIN WITHIN DIMENSIONS | CURRENT REV DESC: EC NO: 171650 DRWN: PMANJUNATHAC 2018/01/01 CHK'D: MVANSLAMBROU 2018/02/16 APPR: MVANSLAMBROU 2018/02/16 INITIAL REVISION: DRWN: KBORUSZEWSKI 2014/02/19 APPR: VKOSHY 2014/03/05 THIRD ANGLE PROJECTION DRAWING: A1-SIZE SERIES: 160011 | MX150 GEN 2 BLADE DUAL ROW SEALED ASSEMBLY MAT SEAL PRODUCT CUSTOMER DRAWING DOCUMENT NUMBER: SD-160011-0001 DOC TYPE: PSD DOC PART: 001 REVISION: A5 MATERIAL NUMBER: 160011 CUSTOMER: GENERAL MARKET SHEET NUMBER: 4 OF 11 |
| | DOCUMENT STATUS: P1 RELEASE DATE: 2018/02/16 22:02:24 | | |

BACKSHELL NOTES: VALID UNLESS OTHERWISE SPECIFIED

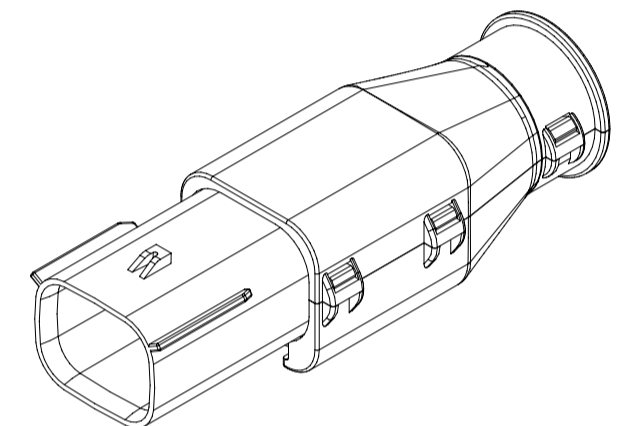
1. GENERAL:
a. APPLICATION SPECIFICATION SEE: AS-34951-001
-DESIGNED TO MATE WITH BLADE SEALED ASSEMBLY
-SPECIFIED IN MOLEX DRAWING SD-33482-0001
-SYSTEM TO BE USED WITH WIRE WITHIN DIAMETER RANGE OF 1.2mm TO 2.69mm
-COMPONENTS ARE OPTIONAL AND MUST BE PURCHASED SEPERATELY
-DESIGN IS OWNED BY SCHLEMMER FOR SCHLEMMER BACKSHELL.
-DESIGN IS OWNED BY MOLEX FOR MOLEX BACKSHELL.
-90° ADAPTOR DESIGN IS OWNED BY MOLEX.
-FOR ADDITIONAL INFORMATION SEE THE BACKSHELL COMPONENT DRAWING SD-34950-0001



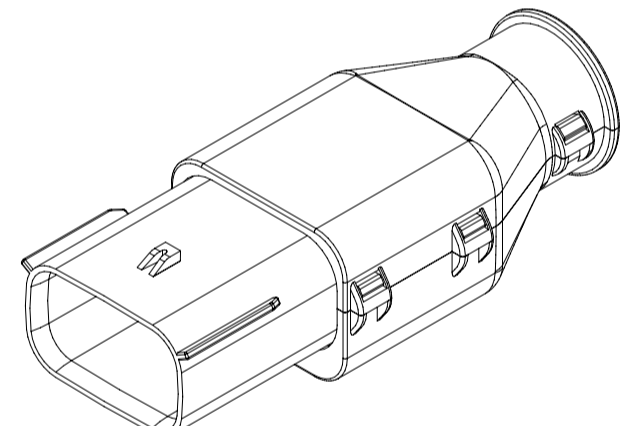
2X3



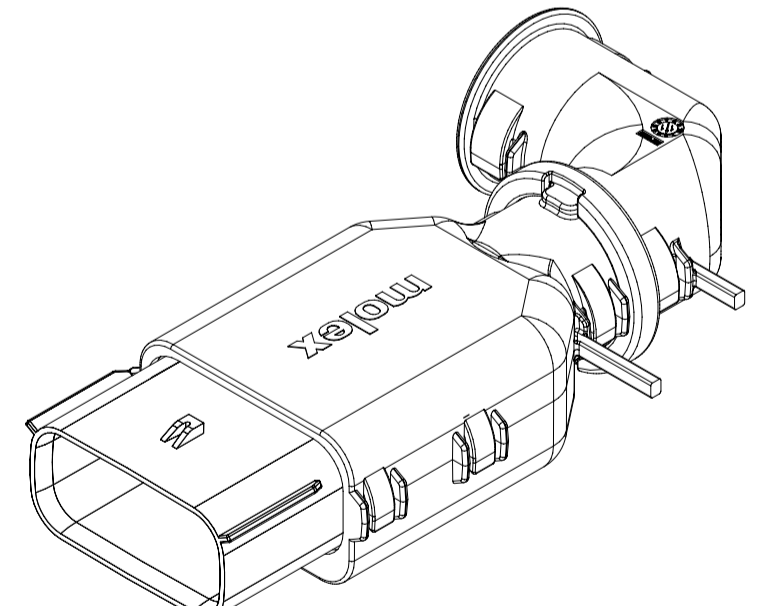
2X4



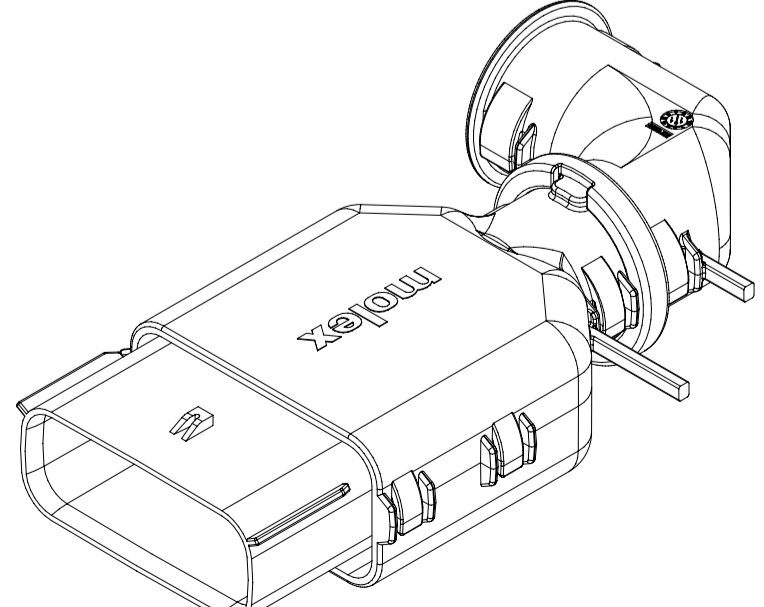
2X4



2X6



2X8



2X10

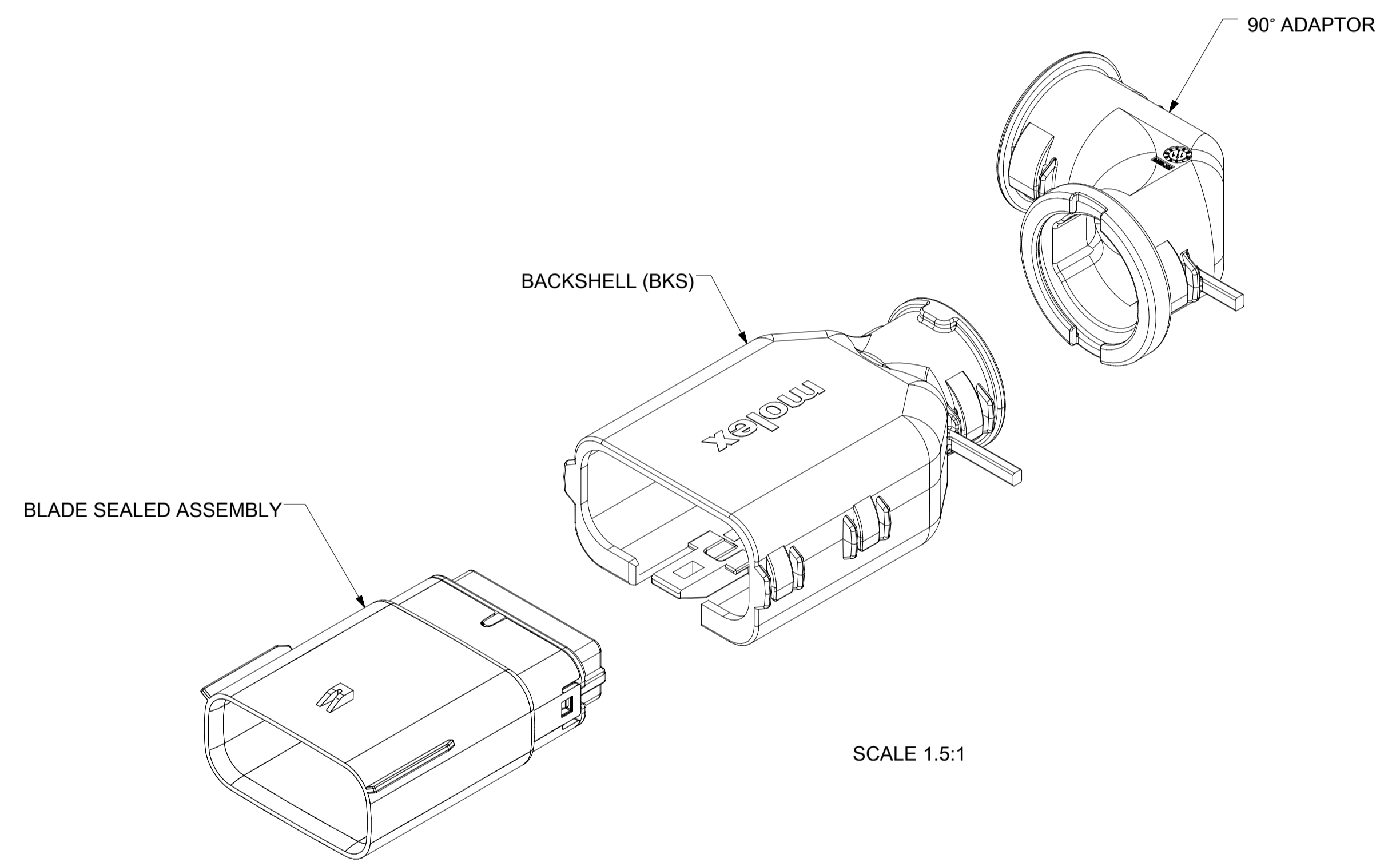
BACKSHELL CUSTOMER MODEL NUMBER LEGEND

34950-XXXX

- CUSTOMER MODEL COMPONENTS
0 - SCHLEMMER BACKSHELL ONLY
1 - SCHLEMMER BACKSHELL & MX150 HOUSING KEY A ASSEMBLY
2 - SCHLEMMER BACKSHELL & MX150 HOUSING KEY B ASSEMBLY
3 - SCHLEMMER BACKSHELL & MX150 HOUSING KEY C ASSEMBLY
4 - SCHLEMMER BACKSHELL & MX150 HOUSING KEY D ASSEMBLY
5 - MOLEX BACKSHELL ONLY
6 - MOLEX BACKSHELL & MX150 HOUSING KEY A ASSEMBLY
7 - MOLEX BACKSHELL & MX150 HOUSING KEY B ASSEMBLY
8 - MOLEX BACKSHELL & MX150 HOUSING KEY C ASSEMBLY
9 - MOLEX BACKSHELL & MX150 HOUSING KEY D ASSEMBLY

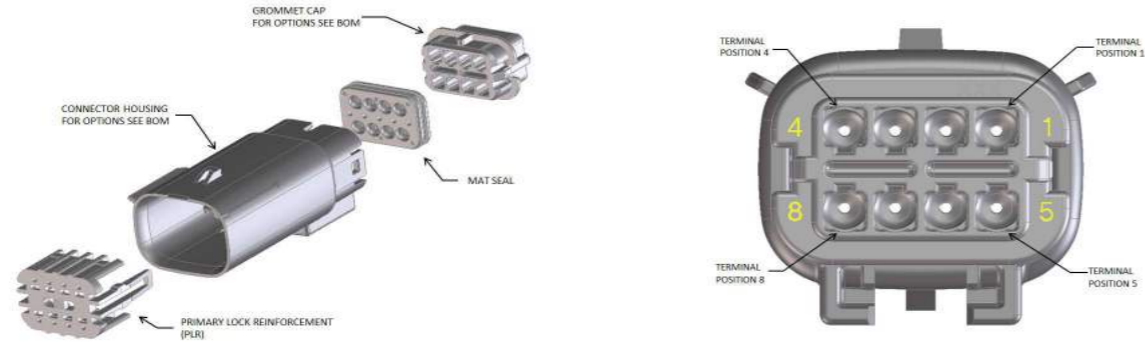
- BACKSHELL FEATURES
1 - WITH RIBS
2 - WITHOUT RIBS
3 - 90° ADAPTOR

MX150 CIRCUIT SIZE 04, 06, 08, 12, 16, 20



| |
|--|
| SYMBOLS = 0 |
|--|

MX150 GEN 2 BLADE 2X4 SEALED ASSEMBLY MAT SEAL
BOM AND PIN OUT SHEET

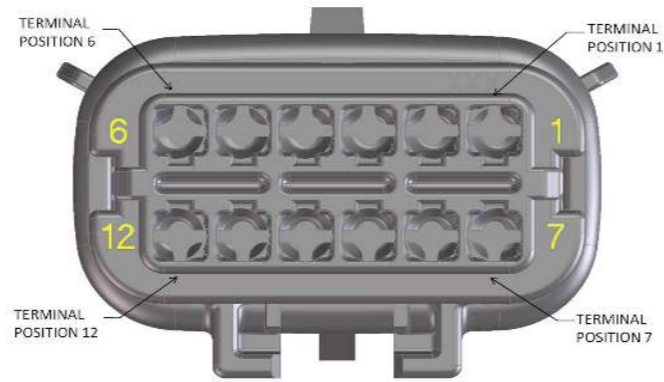
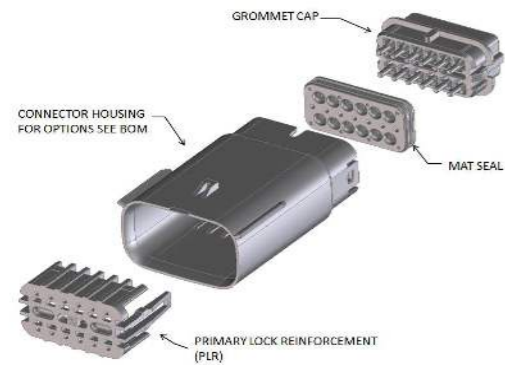


| ABBREVIATION | DESCRIPTION | COLOR | MATERIAL |
|--------------|---------------------------------------|------------|--------------------------------|
| A-BLK-CLIP | HOUSING KEYING OPTION A WITH CLIPSLOT | BLACK | SPS/NYLON GF20 |
| B-LG-CLIP | HOUSING KEYING OPTION B WITH CLIPSLOT | LIGHT GRAY | SPS/NYLON GF20 |
| C-DG-CLIP | HOUSING KEYING OPTION C WITH CLIPSLOT | DARK GRAY | SPS/NYLON GF20 |
| D-SG-CLIP | HOUSING KEYING OPTION D WITH CLIPSLOT | STONE GRAY | SPS/NYLON GF20 |
| GCP | GROMMET CAP (PLUGGED) | BLACK | SPS/NYLON GF20 |
| GCO | GROMMET CAP (OPEN) | BLACK | SPS/NYLON GF20 |
| PLR-1 | PLR-1 | NATURAL | SPS/NYLON GF20 |
| PLR-3 | PLR-3 | NATURAL | SPS/NYLON GF20 |
| M-R | MAT SEAL | RUST RED | INHERENTLY LUBRICATED SILICONE |
| M-B | MAT SEAL | ROYAL BLUE | INHERENTLY LUBRICATED SILICONE |

FOR ADDITIONAL INFORMATION SEE SD-160011-0001

| ASSEMBLY DESCRIPTION | ASSEMBLY PART NUMBER | COMPONENT | | | | BLOCKED TERMINALS | | | | | | | | STATUS | COMMENTS | OPTIONAL ATTACHMENTS SOLD SEPERATELY | | | | |
|----------------------------------|----------------------|---|-------------|-------|----------|--|---|---|---|---|---|---|---|--------|---------------------|--------------------------------------|------------------------|-----------------------|--------------------------|------------|
| | | THE PRESENCE OF AN ABBREVIATION INDICATES THE PRESENCE OF THAT COMPONENT. | | | | CAVITY WITH A NUMBER INDICATES BLOCKED TERMINAL POSITION CAVITY WITHOUT A NUMBER INDICATES OPEN TERMINAL POSITION | | | | | | | | | | BACKSHELL WITH RIBS | BACKSHELL WITHOUT RIBS | 90° ADAPTOR WITH RIBS | 90° ADAPTOR WITHOUT RIBS | |
| | | HOUSING KEY/COLOR | GROMMET CAP | PLR | MAT SEAL | 1 | 2 | 3 | 4 | 5 | 6 | 7 | 8 | | | | | | | |
| KEY A, BLACK, WITH CLIPSLOT | 160011-4001 | A-BLK-CLIP | GCO | PLR-1 | M-R | | | | | | | | | | PLANNED OBSOLECENCE | | 34950-0811 | 34950-0821 | 34951-0831 | 34951-0841 |
| KEY B, LIGHT GRAY, WITH CLIPSLOT | 160011-4002 | B-LG-CLIP | GCO | PLR-1 | M-R | | | | | | | | | | PLANNED OBSOLECENCE | | 34950-0811 | 34950-0821 | 34951-0831 | 34951-0841 |
| KEY C, DARK GRAY, WITH CLIPSLOT | 160011-4003 | C-DG-CLIP | GCO | PLR-1 | M-R | | | | | | | | | | PLANNED OBSOLECENCE | | 34950-0811 | 34950-0821 | 34951-0831 | 34951-0841 |
| KEY D, STONE GRAY, WITH CLIPSLOT | 160011-4004 | D-SG-CLIP | GCO | PLR-1 | M-R | | | | | | | | | | PLANNED OBSOLECENCE | | 34950-0811 | 34950-0821 | 34951-0831 | 34951-0841 |
| KEY A, BLACK, WITH CLIPSLOT | 160011-4007 | A-BLK-CLIP | GCP | PLR-1 | M-R | 1 | 2 | 3 | 4 | 5 | 6 | 7 | 8 | | PLANNED OBSOLECENCE | | 34950-0811 | 34950-0821 | 34951-0831 | 34951-0841 |
| KEY B, LIGHT GRAY, WITH CLIPSLOT | 160011-4008 | B-LG-CLIP | GCP | PLR-1 | M-R | 1 | 2 | 3 | 4 | 5 | 6 | 7 | 8 | | PLANNED OBSOLECENCE | | 34950-0811 | 34950-0821 | 34951-0831 | 34951-0841 |
| KEY C, DARK GRAY, WITH CLIPSLOT | 160011-4009 | C-DG-CLIP | GCP | PLR-1 | M-R | 1 | 2 | 3 | 4 | 5 | 6 | 7 | 8 | | PLANNED OBSOLECENCE | | 34950-0811 | 34950-0821 | 34951-0831 | 34951-0841 |
| KEY D, STONE GRAY, WITH CLIPSLOT | 160011-4010 | D-SG-CLIP | GCP | PLR-1 | M-R | 1 | 2 | 3 | 4 | 5 | 6 | 7 | 8 | | PLANNED OBSOLECENCE | | 34950-0811 | 34950-0821 | 34951-0831 | 34951-0841 |
| KEY A, BLACK, WITH CLIPSLOT | 160011-4013 | A-BLK-CLIP | GCP | PLR-1 | M-R | | | | 4 | 5 | | | | | PLANNED OBSOLECENCE | | 34950-0811 | 34950-0821 | 34951-0831 | 34951-0841 |
| KEY A, BLACK, WITH CLIPSLOT | 160011-4014 | A-BLK-CLIP | GCP | PLR-1 | M-R | | | | | 5 | 6 | | 8 | | PLANNED OBSOLECENCE | | 34950-0811 | 34950-0821 | 34951-0831 | 34951-0841 |
| KEY A, BLACK, WITH CLIPSLOT | 160011-4015 | A-BLK-CLIP | GCP | PLR-1 | M-R | | | | 4 | 5 | | | 8 | | SALEABLE | | 34950-0811 | 34950-0821 | 34951-0831 | 34951-0841 |
| KEY A, BLACK, WITH CLIPSLOT | 160121-4801 | A-BLK-CLIP | GCO | PLR-3 | M-B | | | | | | | | | | OK TO TOOL | | 34950-0811 | 34950-0821 | 34951-0831 | 34951-0841 |
| KEY B, LIGHT GRAY, WITH CLIPSLOT | 160121-4802 | B-LG-CLIP | GCO | PLR-3 | M-B | | | | | | | | | | OK TO TOOL | | 34950-0811 | 34950-0821 | 34951-0831 | 34951-0841 |
| KEY A, BLACK, WITH CLIPSLOT | 160121-4811 | A-BLK-CLIP | GCP | PLR-3 | M-B | | | | 4 | 5 | | | | | OK TO TOOL | | 34950-0811 | 34950-0821 | 34951-0831 | 34951-0841 |
| KEY A, BLACK, WITH CLIPSLOT | 160121-4832 | A-BLK-CLIP | GCP | PLR-3 | M-B | | | | | 5 | 6 | | 8 | | OK TO TOOL | | 34950-0811 | 34950-0821 | 34951-0831 | 34951-0841 |
| KEY A, BLACK, WITH CLIPSLOT | 160121-4834 | A-BLK-CLIP | GCP | PLR-3 | M-B | 1 | 2 | 3 | 4 | 5 | 6 | 7 | 8 | | OK TO TOOL | | 34950-0811 | 34950-0821 | 34951-0831 | 34951-0841 |
| KEY B, LIGHT GRAY, WITH CLIPSLOT | 160121-4847 | B-LG-CLIP | GCP | PLR-3 | M-B | 1 | 2 | 3 | 4 | 5 | 6 | 7 | 8 | | OK TO TOOL | | 34950-0811 | 34950-0821 | 34951-0831 | 34951-0841 |
| KEY C, DARK GRAY, WITH CLIPSLOT | 160121-4852 | C-DG-CLIP | GCO | PLR-3 | M-B | | | | | | | | | | OK TO TOOL | | 34950-0811 | 34950-0821 | 34951-0831 | 34951-0841 |
| KEY D, STONE GRAY, WITH CLIPSLOT | 160121-4853 | D-SG-CLIP | GCO | PLR-3 | M-B | | | | | | | | | | OK TO TOOL | | 34950-0811 | 34950-0821 | 34951-0831 | 34951-0841 |
| KEY A, BLACK, WITH CLIPSLOT | 160121-4854 | A-BLK-CLIP | GCP | PLR-3 | M-B | | | | 4 | 5 | | | 8 | | OK TO TOOL | | 34950-0811 | 34950-0821 | 34951-0831 | 34951-0841 |

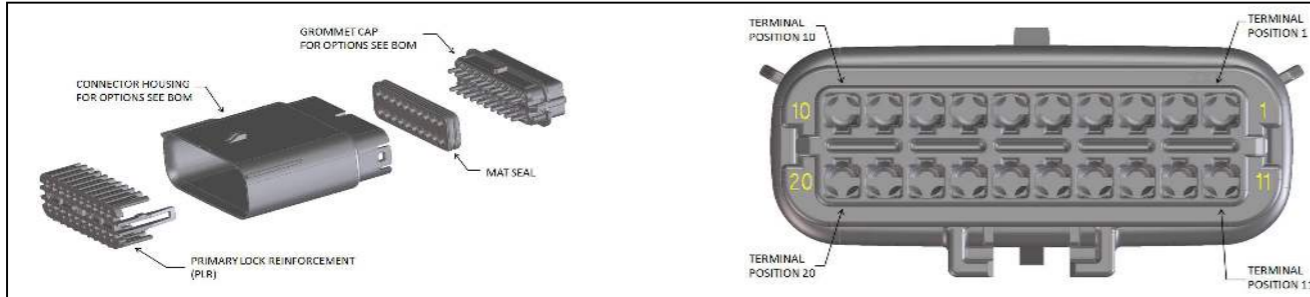
MX150 GEN 2 BLADE 2X6 SEALED ASSEMBLY MAT SEAL
BOM AND PIN OUT SHEET



| ABBREVIATION | DESCRIPTION | COLOR | MATERIAL |
|--------------|---------------------------------------|------------|--------------------------------|
| A-BLK-CLIP | HOUSING KEYING OPTION A WITH CLIPSLOT | BLACK | SPS/NYLON GF20 |
| B-LG-CLIP | HOUSING KEYING OPTION B WITH CLIPSLOT | LIGHT GRAY | SPS/NYLON GF20 |
| C-DG-CLIP | HOUSING KEYING OPTION C WITH CLIPSLOT | DARK GRAY | SPS/NYLON GF20 |
| D-SG-CLIP | HOUSING KEYING OPTION D WITH CLIPSLOT | STONE GRAY | SPS/NYLON GF20 |
| GCP | GROMMET CAP (PLUGGED) | BLACK | SPS/NYLON GF20 |
| PLR-1 | PLR-1 | NATURAL | SPS/NYLON GF20 |
| PLR-3 | PLR-3 | NATURAL | SPS/NYLON GF20 |
| M-R | MAT SEAL | RUST RED | INHERENTLY LUBRICATED SILICONE |
| M-B | MAT SEAL | ROYAL BLUE | INHERENTLY LUBRICATED SILICONE |

FOR ADDITIONAL INFORMATION SEE SD-160011-0001

| ASSEMBLY DESCRIPTION | ASSEMBLY PART NUMBER | COMPONENT | | | | BLOCKED TERMINALS | | | | | | | | | | | | STATUS | COMMENTS | OPTIONAL ATTACHMENTS SOLD SEPERATELY | | |
|----------------------------------|----------------------|---|-------------|-------|----------|--|---|---|---|---|---|---|---|---|----|----|----|--------|----------------------|--------------------------------------|------------------------|------------|
| | | THE PRESENCE OF AN ABBREVIATION INDICATES THE PRESENCE OF THAT COMPONENT. | | | | CAVITY WITH A NUMBER INDICATES BLOCKED TERMINAL POSITION CAVITY WITHOUT A NUMBER INDICATES OPEN TERMINAL POSITION | | | | | | | | | | | | | | BACKSHELL WITH RIBS | BACKSHELL WITHOUT RIBS | |
| | | HOUSING KEY/COLOR | GROMMET CAP | PLR | MAT SEAL | 1 | 2 | 3 | 4 | 5 | 6 | 7 | 8 | 9 | 10 | 11 | 12 | | | | | |
| KEY A, BLACK, WITH CLIPSLOT | 160011-6001 | A-BLK-CLIP | GCP | PLR-1 | M-R | | | | | | | | | | | | | | PLANNED OBSOLESCENCE | | 34950-1210 | 34950-1220 |
| KEY B, LIGHT GRAY, WITH CLIPSLOT | 160011-6002 | B-LG-CLIP | GCP | PLR-1 | M-R | | | | | | | | | | | | | | PLANNED OBSOLESCENCE | | 34950-1210 | 34950-1220 |
| KEY C, DARK GRAY, WITH CLIPSLOT | 160011-6003 | C-DG-CLIP | GCP | PLR-1 | M-R | | | | | | | | | | | | | | PLANNED OBSOLESCENCE | | 34950-1210 | 34950-1220 |
| KEY D, STONE GRAY, WITH CLIPSLOT | 160011-6004 | D-SG-CLIP | GCP | PLR-1 | M-R | | | | | | | | | | | | | | PLANNED OBSOLESCENCE | | 34950-1210 | 34950-1220 |
| KEY A, BLACK, WITH CLIPSLOT | 160011-6007 | A-BLK-CLIP | GCP | PLR-1 | M-R | 1 | | | | | | | | | | | | | PLANNED OBSOLESCENCE | | 34950-1210 | 34950-1220 |
| KEY B, LIGHT GRAY, WITH CLIPSLOT | 160011-6008 | B-LG-CLIP | GCP | PLR-1 | M-R | 1 | 2 | 3 | 4 | 5 | 6 | 7 | 8 | 9 | 10 | 11 | 12 | | PLANNED OBSOLESCENCE | | 34950-1210 | 34950-1220 |
| KEY C, DARK GRAY, WITH CLIPSLOT | 160011-6009 | C-DG-CLIP | GCP | PLR-1 | M-R | 1 | 2 | 3 | 4 | 5 | 6 | 7 | 8 | 9 | 10 | 11 | 12 | | PLANNED OBSOLESCENCE | | 34950-1210 | 34950-1220 |
| KEY D, STONE GRAY, WITH CLIPSLOT | 160011-6010 | D-SG-CLIP | GCP | PLR-1 | M-R | 1 | 2 | 3 | 4 | 5 | 6 | 7 | 8 | 9 | 10 | 11 | 12 | | PLANNED OBSOLESCENCE | | 34950-1210 | 34950-1220 |
| KEY A, BLACK, WITH CLIPSLOT | 160121-6201 | A-BLK-CLIP | GCP | PLR-3 | M-B | | | | | | | | | | | | | | OK TO TOOL | | 34950-1210 | 34950-1220 |
| KEY B, LIGHT GRAY, WITH CLIPSLOT | 160121-6202 | B-LG-CLIP | GCP | PLR-3 | M-B | | | | | | | | | | | | | | OK TO TOOL | | 34950-1210 | 34950-1220 |
| KEY A, BLACK, WITH CLIPSLOT | 160121-6227 | A-BLK-CLIP | GCP | PLR-3 | M-B | 1 | 2 | 3 | 4 | 5 | 6 | 7 | 8 | 9 | 10 | 11 | 12 | | OK TO TOOL | | 34950-1210 | 34950-1220 |
| KEY B, LIGHT GRAY, WITH CLIPSLOT | 160121-6228 | B-LG-CLIP | GCP | PLR-3 | M-B | 1 | 2 | 3 | 4 | 5 | 6 | 7 | 8 | 9 | 10 | 11 | 12 | | OK TO TOOL | | 34950-1210 | 34950-1220 |
| KEY C, DARK GRAY, WITH CLIPSLOT | 160121-6261 | C-DG-CLIP | GCP | PLR-3 | M-B | | | | | | | | | | | | | | OK TO TOOL | | 34950-1210 | 34950-1220 |
| KEY D, STONE GRAY, WITH CLIPSLOT | 160121-6262 | D-SG-CLIP | GCP | PLR-3 | M-B | | | | | | | | | | | | | | OK TO TOOL | | 34950-1210 | 34950-1220 |
| KEY C, DARK GRAY, WITH CLIPSLOT | 160121-6263 | C-DG-CLIP | GCP | PLR-3 | M-B | 1 | 2 | 3 | 4 | 5 | 6 | 7 | 8 | 9 | 10 | 11 | 12 | | OK TO TOOL | | 34950-1210 | 34950-1220 |
| KEY D, STONE GRAY, WITH CLIPSLOT | 160121-6264 | D-SG-CLIP | GCP | PLR-3 | M-B | 1 | 2 | 3 | 4 | 5 | 6 | 7 | 8 | 9 | 10 | 11 | 12 | | OK TO TOOL | | 34950-1210 | 34950-1220 |



| ABBREVIATION | DESCRIPTION | COLOR | MATERIAL |
|--------------|---------------------------------------|------------|--------------------------------|
| A-BLK-CLIP | HOUSING KEYING OPTION A WITH CLIPSLOT | BLACK | SPS/NYLON GF20 |
| B-LG-CLIP | HOUSING KEYING OPTION B WITH CLIPSLOT | LIGHT GRAY | SPS/NYLON GF20 |
| C-DG-CLIP | HOUSING KEYING OPTION C WITH CLIPSLOT | DARK GRAY | SPS/NYLON GF20 |
| D-SG-CLIP | HOUSING KEYING OPTION D WITH CLIPSLOT | STONE GRAY | SPS/NYLON GF20 |
| GCP | GROMMET CAP (PLUGGED) | BLACK | SPS/NYLON GF20 |
| GCO | GROMMET CAP (OPEN) | BLACK | SPS/NYLON GF20 |
| PLR-3 | PLR-3 | NATURAL | SPS/NYLON GF20 |
| M | MAT SEAL | LIGHT BLUE | INHERENTLY LUBRICATED SILICONE |

FOR ADDITIONAL INFORMATION SEE SD-160011-0001

| ASSEMBLY DESCRIPTION | ASSEMBLY PART NUMBER | COMPONENT | | | | BLOCKED TERMINALS | | | | | | | | | | | | | | | STATUS | COMMENTS | OPTIONAL ATTACHMENTS SOLD SEPARATELY | | | | | | | | | | | | |
|----------------------------------|----------------------|---|-------------|-------|----------|--|---|---|---|---|---|---|---|---|----|----|----|----|----|----|--------|----------|--------------------------------------|------------------------|-----------------------|--------------------------|----------|----|----|----|------------|--------------|------------|------------|------------|
| | | THE PRESENCE OF AN ABBREVIATION INDICATES THE PRESENCE OF THAT COMPONENT. | | | | CAVITY WITH A NUMBER INDICATES BLOCKED TERMINAL POSITION CAVITY WITHOUT A NUMBER INDICATES OPEN TERMINAL POSITION | | | | | | | | | | | | | | | | | BACKSHELL WITH RIBS | BACKSHELL WITHOUT RIBS | 90° ADAPTOR WITH RIBS | 90° ADAPTOR WITHOUT RIBS | | | | | | | | | |
| | | HOUSING KEY/COLOR | GROMMET CAP | PLR | MAT SEAL | 1 | 2 | 3 | 4 | 5 | 6 | 7 | 8 | 9 | 10 | 11 | 12 | 13 | 14 | 15 | | | | | | | 16 | 17 | 18 | 19 | 20 | | | | |
| KEY A, BLACK, WITH CLIPSLOT | 160121-2101 | A-BLK-CLIP | GCO | PLR-3 | M | | | | | | | | | | | | | | | | | | | | | SALEABLE | | | | | 34950-2011 | 34950-2021 | 34951-1631 | 34951-1641 | |
| KEY B, LIGHT GRAY, WITH CLIPSLOT | 160121-2102 | B-LG-CLIP | GCO | PLR-3 | M | | | | | | | | | | | | | | | | | | | | | | SALEABLE | | | | | 34950-2011 | 34950-2021 | 34951-1631 | 34951-1641 |
| KEY A, BLACK, WITH CLIPSLOT | 160121-2106 | A-BLK-CLIP | GCP | PLR-3 | M | | | | | | | | | | | | | | | | | | | | | | SALEABLE | | | | | 34950-2011 | 34950-2021 | 34951-1631 | 34951-1641 |
| KEY A, BLACK, WITH CLIPSLOT | 160121-2107 | A-BLK-CLIP | GCP | PLR-3 | M | | | | | | | | | | | | | | | | | | | | | | SALEABLE | | | | | 34950-2011 | 34950-2021 | 34951-1631 | 34951-1641 |
| KEY A, BLACK, WITH CLIPSLOT | 160121-2108 | A-BLK-CLIP | GCP | PLR-3 | M | | | | | | | | | | | | | | | | | | | | | | SALEABLE | | | | | 34950-2011 | 34950-2021 | 34951-1631 | 34951-1641 |
| KEY A, BLACK, WITH CLIPSLOT | 160121-2109 | A-BLK-CLIP | GCP | PLR-3 | M | | | | | | | | | | | | | | | | | | | | | | SALEABLE | | | | | 34950-2011 | 34950-2021 | 34951-1631 | 34951-1641 |
| KEY A, BLACK, WITH CLIPSLOT | 160121-2122 | A-BLK-CLIP | GCP | PLR-3 | M | | | | | | | | | | | | | | | | | | | | | | SALEABLE | | | | | 34950-2011 | 34950-2021 | 34951-1631 | 34951-1641 |
| KEY A, BLACK, WITH CLIPSLOT | 160121-2125 | A-BLK-CLIP | GCP | PLR-3 | M | | | | | | | | | | | | | | | | | | | | | | SALEABLE | | | | | 34950-2011 | 34950-2021 | 34951-1631 | 34951-1641 |
| KEY A, BLACK, WITH CLIPSLOT | 160121-2126 | A-BLK-CLIP | GCP | PLR-3 | M | | | | | | | | | | | | | | | | | | | | | | SALEABLE | | | | | 34950-2011 | 34950-2021 | 34951-1631 | 34951-1641 |
| KEY A, BLACK, WITH CLIPSLOT | 160121-2127 | A-BLK-CLIP | GCP | PLR-3 | M | | | | | | | | | | | | | | | | | | | | | | SALEABLE | | | | | 34950-2011 | 34950-2021 | 34951-1631 | 34951-1641 |
| KEY A, BLACK, WITH CLIPSLOT | 160121-2128 | A-BLK-CLIP | GCP | PLR-3 | M | | | | | | | | | | | | | | | | | | | | | | SALEABLE | | | | | 34950-2011 | 34950-2021 | 34951-1631 | 34951-1641 |
| KEY A, BLACK, WITH CLIPSLOT | 160121-2129 | A-BLK-CLIP | GCP | PLR-3 | M | | | | | | | | | | | | | | | | | | | | | | SALEABLE | | | | | 34950-2011 | 34950-2021 | 34951-1631 | 34951-1641 |
| KEY A, BLACK, WITH CLIPSLOT | 160121-2130 | A-BLK-CLIP | GCP | PLR-3 | M | | | | | | | | | | | | | | | | | | | | | | SALEABLE | | | | | 34950-2011 | 34950-2021 | 34951-1631 | 34951-1641 |
| KEY A, BLACK, WITH CLIPSLOT | 160121-2131 | A-BLK-CLIP | GCP | PLR-3 | M | | | | | | | | | | | | | | | | | | | | | | SALEABLE | | | | | 34950-2011 | 34950-2021 | 34951-1631 | 34951-1641 |
| KEY A, BLACK, WITH CLIPSLOT | 160121-2133 | A-BLK-CLIP | GCP | PLR-3 | M | | | | | | | | | | | | | | | | | | | | | | SALEABLE | | | | | 34950-2011 | 34950-2021 | 34951-1631 | 34951-1641 |
| KEY A, BLACK, WITH CLIPSLOT | 160121-2134 | A-BLK-CLIP | GCP | PLR-3 | M | | | | | | | | | | | | | | | | | | | | | | SALEABLE | | | | | 34950-2011 | 34950-2021 | 34951-1631 | 34951-1641 |
| KEY A, BLACK, WITH CLIPSLOT | 160121-2135 | A-BLK-CLIP | GCP | PLR-3 | M | | | | | | | | | | | | | | | | | | | | | | SALEABLE | | | | | 34950-2011 | 34950-2021 | 34951-1631 | 34951-1641 |
| KEY A, BLACK, WITH CLIPSLOT | 160121-2136 | A-BLK-CLIP | GCP | PLR-3 | M | | | | | | | | | | | | | | | | | | | | | | SALEABLE | | | | | 34950-2011 | 34950-2021 | 34951-1631 | 34951-1641 |
| KEY A, BLACK, WITH CLIPSLOT | 160121-2137 | A-BLK-CLIP | GCP | PLR-3 | M | | | | | | | | | | | | | | | | | | | | | | SALEABLE | | | | | 34950-2011 | 34950-2021 | 34951-1631 | 34951-1641 |
| KEY A, BLACK, WITH CLIPSLOT | 160121-2138 | A-BLK-CLIP | GCP | PLR-3 | M | | | | | | | | | | | | | | | | | | | | | | SALEABLE | | | | | 34950-2011 | 34950-2021 | 34951-1631 | 34951-1641 |
| KEY A, BLACK, WITH CLIPSLOT | 160121-2139 | A-BLK-CLIP | GCP | PLR-3 | M | | | | | | | | | | | | | | | | | | | | | | SALEABLE | | | | | 34950-2011 | 34950-2021 | 34951-1631 | 34951-1641 |
| KEY A, BLACK, WITH CLIPSLOT | 160121-2140 | A-BLK-CLIP | GCP | PLR-3 | M | | | | | | | | | | | | | | | | | | | | | | SALEABLE | | | | | 34950-2011 | 34950-2021 | 34951-1631 | 34951-1641 |
| KEY A, BLACK, WITH CLIPSLOT | 160121-2142 | A-BLK-CLIP | GCP | PLR-3 | M | | | | | | | | | | | | | | | | | | | | | | SALEABLE | | | | | 34950-2011 | 34950-2021 | 34951-1631 | 34951-1641 |
| KEY A, BLACK, WITH CLIPSLOT | 160121-2144 | A-BLK-CLIP | GCP | PLR-3 | M | | | | | | | | | | | | | | | | | | | | | | SALEABLE | | | | | 34950-2011 | 34950-2021 | 34951-1631 | 34951-1641 |
| KEY A, BLACK, WITH CLIPSLOT | 160121-2147 | A-BLK-CLIP | GCP | PLR-3 | M | | | | | | | | | | | | | | | | | | | | | | SALEABLE | | | | | 34950-2011 | 34950-2021 | 34951-1631 | 34951-1641 |
| KEY A, BLACK, WITH CLIPSLOT | 160121-2148 | A-BLK-CLIP | GCP | PLR-3 | M | | | | | | | | | | | | | | | | | | | | | | SALEABLE | | | | | 34950-2011 | 34950-2021 | 34951-1631 | 34951-1641 |
| KEY A, BLACK, WITH CLIPSLOT | 160121-2156 | B-LG-CLIP | GCP | PLR-3 | M | | | | | | | | | | | | | | | | | | | | | | SALEABLE | | | | | 34950-2011 | 34950-2021 | 34951-1631 | 34951-1641 |
| KEY B, LIGHT GRAY, WITH CLIPSLOT | 160121-2157 | B-LG-CLIP | GCP | PLR-3 | M | | | | | | | | | | | | | | | | | | | | | | SALEABLE | | | | | 34950-2011 | 34950-2021 | 34951-1631 | 34951-1641 |
| KEY B, LIGHT GRAY, WITH CLIPSLOT | 160121-2158 | B-LG-CLIP | GCP | PLR-3 | M | | | | | | | | | | | | | | | | | | | | | | SALEABLE | | | | | 34950-2011 | 34950-2021 | 34951-1631 | 34951-1641 |
| KEY A, BLACK, WITH CLIPSLOT | 160121-2168 | A-BLK-CLIP | GCP | PLR-3 | M | | | | | | | | | | | | | | | | | | | | | | SALEABLE | | | | | 34950-2011 | 34950-2021 | 34951-1631 | 34951-1641 |
| KEY A, BLACK, WITH CLIPSLOT | 160121-2169 | A-BLK-CLIP | GCP | PLR-3 | M | | | | | | | | | | | | | | | | | | | | | | SALEABLE | | | | | 34950-2011 | 34950-2021 | 34951-1631 | 34951-1641 |
| KEY A, BLACK, WITH CLIPSLOT | 160121-2171 | A-BLK-CLIP | GCP | PLR-3 | M | | | | | | | | | | | | | | | | | | | | | | SALEABLE | | | | | 34950-2011 | 34950-2021 | 34951-1631 | 34951-1641 |
| KEY A, BLACK, WITH CLIPSLOT | 160121-2172 | A-BLK-CLIP | GCP | PLR-3 | M | | | | | | | | | | | | | | | | | | | | | | SALEABLE | | | | | 34950-2011 | 34950-2021 | 34951-1631 | 34951-1641 |
| KEY A, BLACK, WITH CLIPSLOT | 160121-2173 | A-BLK-CLIP | GCP | PLR-3 | M | | | | | | | | | | | | | | | | | | | | | | SALEABLE | | | | | 34950-2011 | 34950-2021 | 34951-1631 | 34951-1641 |
| KEY A, BLACK, WITH CLIPSLOT | 160121-2177 | A-BLK-CLIP | GCP | PLR-3 | M | | | | | | | | | | | | | | | | | | | | | | SALEABLE | | | | | 34950-2011 | 34950-2021 | 34951-1631 | 34951-1641 |
| KEY A, BLACK, WITH CLIPSLOT | 160121-2178 | A-BLK-CLIP | GCP | PLR-3 | M | | | | | | | | | | | | | | | | | | | | | | SALEABLE | | | | | 34950-2011 | 34950-2021 | 34951-1631 | 34951-1641 |
| KEY A, BLACK, WITH CLIPSLOT | 160121-2179 | A-BLK-CLIP | GCP | PLR-3 | M | | | | | | | | | | | | | | | | | | | | | | SALEABLE | | | | | 34950-2011 | 34950-2021 | 34951-1631 | 34951-1641 |
| KEY A, BLACK, WITH CLIPSLOT | 160121-2185 | A-BLK-CLIP | GCP | PLR-3 | M | | | | | | | | | | | | | | | | | | | | | | SALEABLE | | | | | 34950-2011 | 34950-2021 | 34951-1631 | 34951-1641 |
| KEY A, BLACK, WITH CLIPSLOT | 160121-2187 | A-BLK-CLIP | GCP | PLR-3 | M | | | | | | | | | | | | | | | | | | | | | | SALEABLE | | | | | 34950-2011 | 34950-2021 | 34951-1631 | 34951-1641 |
| KEY A, BLACK, WITH CLIPSLOT | 160121-2188 | A-BLK-CLIP | GCP | PLR-3 | M | | | | | | | | | | | | | | | | | | | | | | SALEABLE | | | | | 34950-2011 | 34950-2021 | 34951-1631 | 34951-1641 |
| KEY A, BLACK, WITH CLIPSLOT | 160121-2189 | A-BLK-CLIP | GCP | PLR-3 | M | | | | | | | | | | | | | | | | | | | | | | SALEABLE | | | | | 34950-2011 | 34950-2021 | 34951-1631 | 34951-1641 |
| KEY A, BLACK, WITH CLIPSLOT | 160121-2190 | A-BLK-CLIP | GCP | PLR-3 | M | | | | | | | | | | | | | | | | | | | | | | SALEABLE | | | | | 34950-2011 | 34950-2021 | 34951-1631 | 34951-1641 |
| KEY A, BLACK, WITH CLIPSLOT | 160121-2191 | A-BLK-CLIP | GCP | PLR-3 | M | | | | | | | | | | | | | | | | | | | | | | SALEABLE | | | | | 34950-2011 | 34950-2021 | 34951-1631 | 34951-1641 |
| KEY A, BLACK, WITH CLIPSLOT | 160121-2192 | A-BLK-CLIP | GCP | PLR-3 | M | | | | | | | | | | | | | | | | | | | | | | SALEABLE | | | | | 34950-2011 | 34950-2021 | 34951-1631 | 34951-1641 |
| KEY A, BLACK, WITH CLIPSLOT | 160121-2193 | A-BLK-CLIP | GCP | PLR-3 | M | | | | | | | | | | | | | | | | | | | | | | SALEABLE | | | | | 34950-2011 | 34950-2021 | 34951-1631 | 34951-1641 |
| KEY A, BLACK, WITH CLIPSLOT | 160121-2194 | A-BLK-CLIP | GCP | PLR-3 | M | | | | | | | | | | | | | | | | | | | | | | SALEABLE | | | | | 34950-2011 | 34950-2021 | 34951-1631 | 34951-1641 |
| KEY A, BLACK, WITH CLIPSLOT | 160121-2195 | A-BLK-CLIP | GCP | PLR-3 | M | | | | | | | | | | | | | | | | | | | | | | SALEABLE | | | | | 34950-2011 | 34950-2021 | 34951-1631 | 34951-1641 |
| KEY B, LIGHT GRAY, WITH CLIPSLOT | 160121-2196 | B-LG-CLIP | GCP | PLR-3 | M | | | | | | | | | | | | | | | | | | | | | | SALEABLE | | | | | 34950-2011</ | | | |

