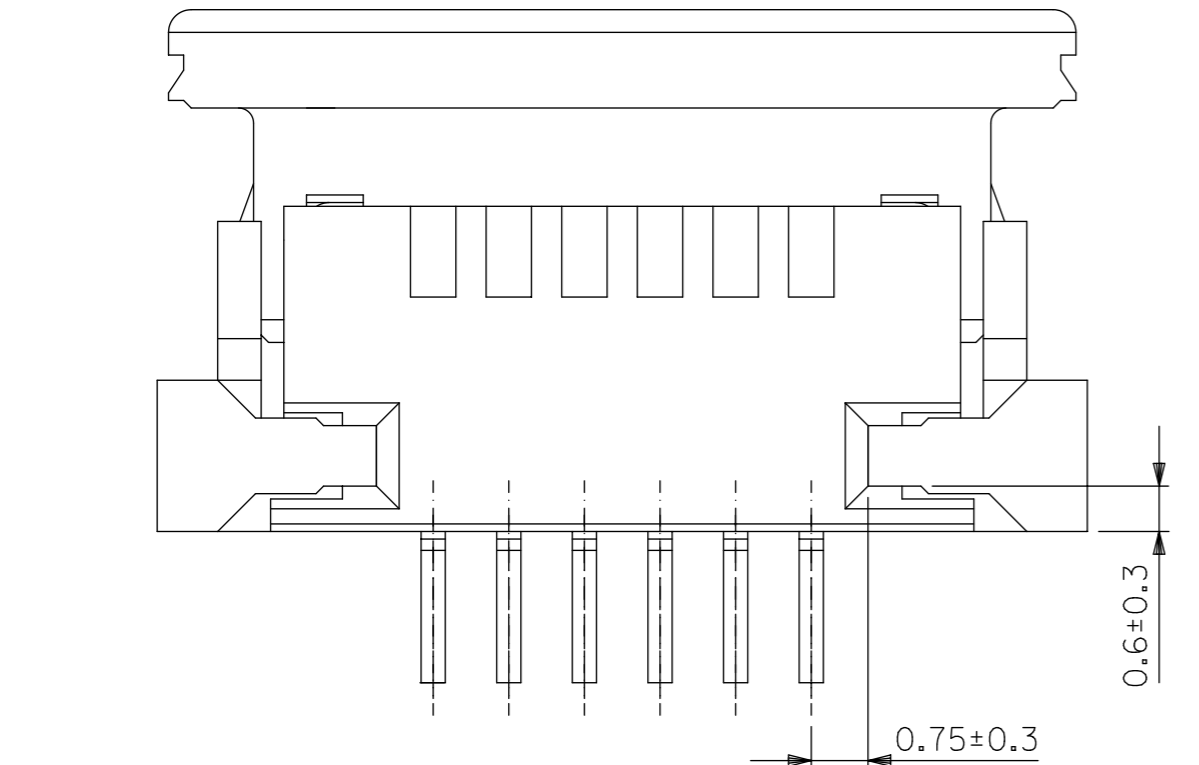
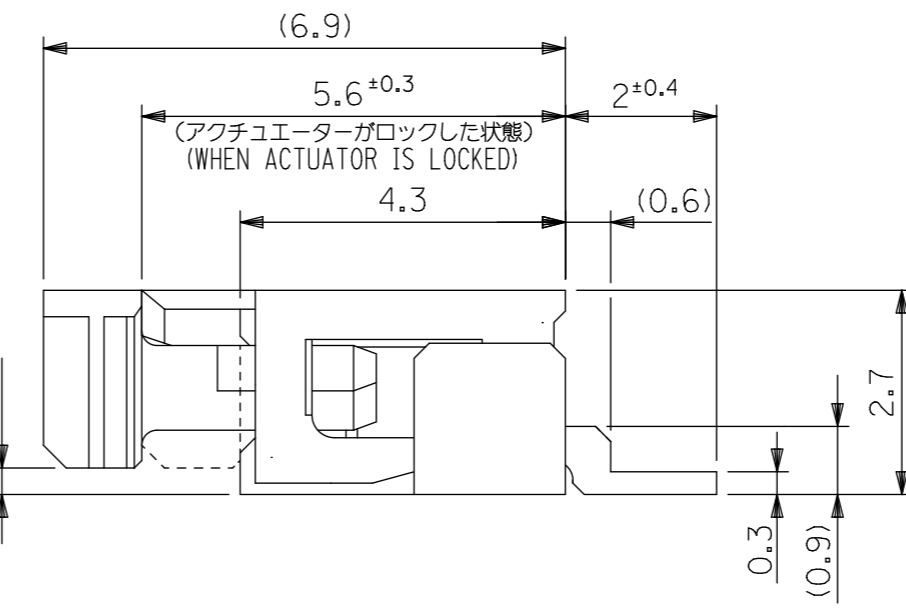
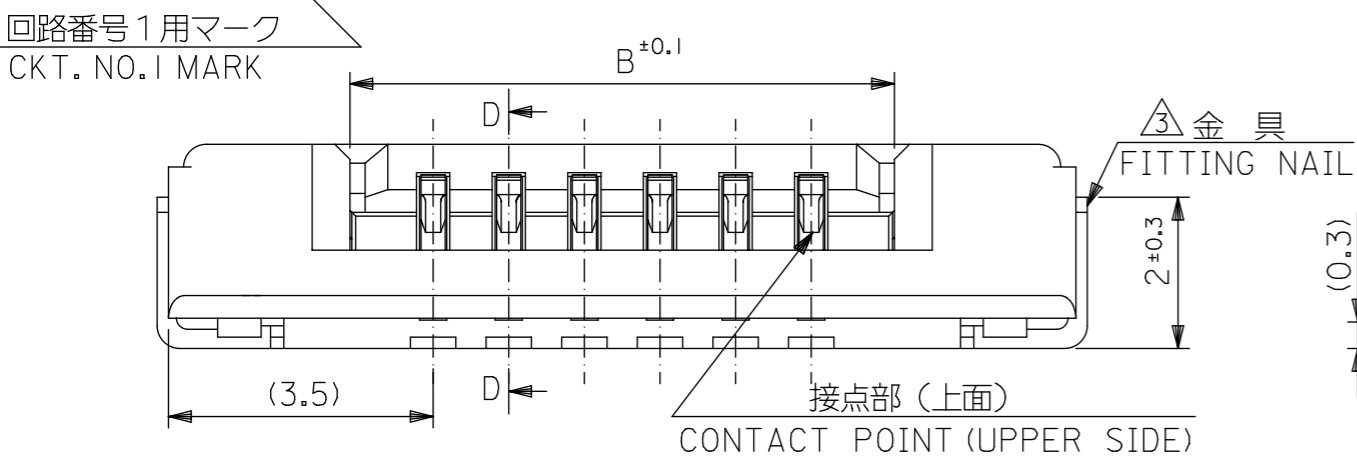


断面D-D
SECT.D-D



| | | | | |
|------|------|----|----------------------------|-------------|
| 38.7 | 35.2 | 33 | 52207-3485 | 34 |
| 34.7 | 31.2 | 29 | 52207-3085 | 30 |
| 33.7 | 30.2 | 28 | 52207-2985 | 29 |
| 32.7 | 29.2 | 27 | 52207-2885 | 28 |
| 31.7 | 28.2 | 26 | 52207-2785 | 27 |
| 30.7 | 27.2 | 25 | 52207-2685 | 26 |
| 29.7 | 26.2 | 24 | 52207-2585 | 25 |
| 28.7 | 25.2 | 23 | 52207-2485 | 24 |
| 27.7 | 24.2 | 22 | 52207-2385 | 23 |
| 26.7 | 23.2 | 21 | 52207-2285 | 22 |
| 25.7 | 22.2 | 20 | 52207-2185 | 21 |
| 24.7 | 21.2 | 19 | 52207-2085 | 20 |
| 23.7 | 20.2 | 18 | 52207-1985 | 19 |
| 22.7 | 19.2 | 17 | 52207-1885 | 18 |
| 21.7 | 18.2 | 16 | 52207-1785 | 17 |
| 20.7 | 17.2 | 15 | 52207-1685 | 16 |
| 19.7 | 16.2 | 14 | 52207-1585 | 15 |
| 18.7 | 15.2 | 13 | 52207-1485 | 14 |
| 17.7 | 14.2 | 12 | 52207-1385 | 13 |
| 16.7 | 13.2 | 11 | 52207-1285 | 12 |
| 15.7 | 12.2 | 10 | 52207-1185 | 11 |
| 14.7 | 11.2 | 9 | 52207-1085 | 10 |
| 13.7 | 10.2 | 8 | 52207-0985 | 9 |
| 12.7 | 9.2 | 7 | 52207-0885 | 8 |
| 11.7 | 8.2 | 6 | 52207-0785 | 7 |
| 10.7 | 7.2 | 5 | 52207-0685 | 6 |
| 9.7 | 6.2 | 4 | 52207-0585 | 5 |
| 8.7 | 5.2 | 3 | 52207-0485 | 4 |
| 7.7 | 4.2 | 2 | 52207-0385 | 3 |
| C | B | A | EMBOSSED PACKAGE ORDER NO. | 極数 CIRCUITS |

CONNECTOR SERIES NO. 52207-**19

THIS DRAWING CONTAINS INFORMATION THAT IS PROPRIETARY TO MOLEX ELECTRONIC TECHNOLOGIES, LLC AND SHOULD NOT BE USED WITHOUT WRITTEN PERMISSION

mm NTS

GENERAL TOLERANCES (UNLESS SPECIFIED)

ANGULAR TOL ± °

4 PLACES ±

3 PLACES ±

2 PLACES ±

1 PLACE ±

0 PLACES ±

DRAFT WHERE APPLICABLE MUST REMAIN WITHIN DIMENSIONS

THIRD ANGLE PROJECTION

DRAWING A3-SIZE

SERIES 52207

MATERIAL NUMBER SEE TABLE

CUSTOMER GENERAL MARKET

SHEET NUMBER 1 OF 2

EC NO: 719890

DRWN: NARENC 2022/08/22

CHK'D: SMARUYAMA 2022/09/05

APPR: YNAITO 2022/09/05

INITIAL REVISION:

DRWN: MNINOMIYA 2004/02/18

APPR: MSASAO 2004/02/18

DOCUMENT NUMBER SD-52207-060

DOC TYPE PSD

DOC PART 001

REVISION F

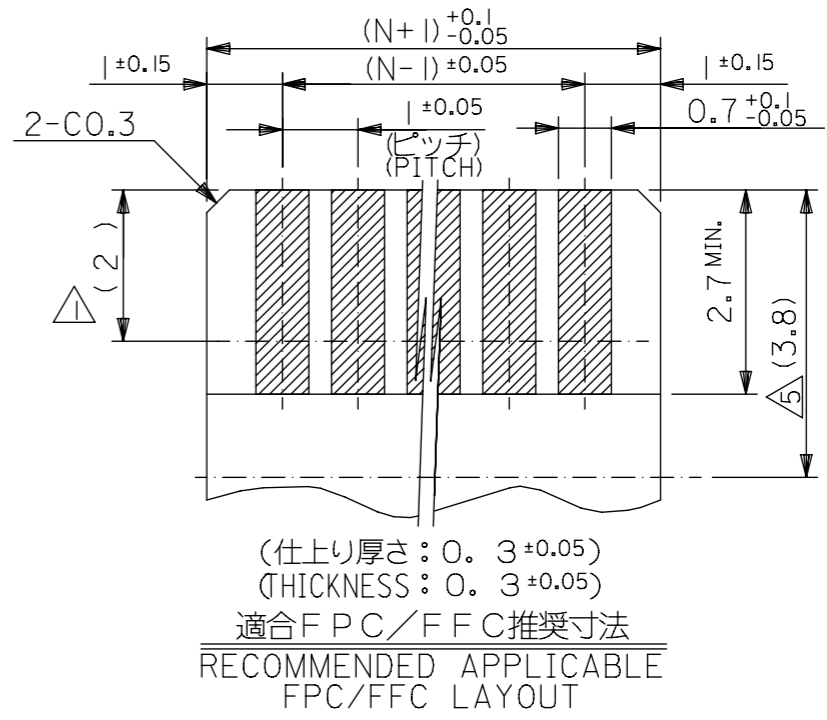
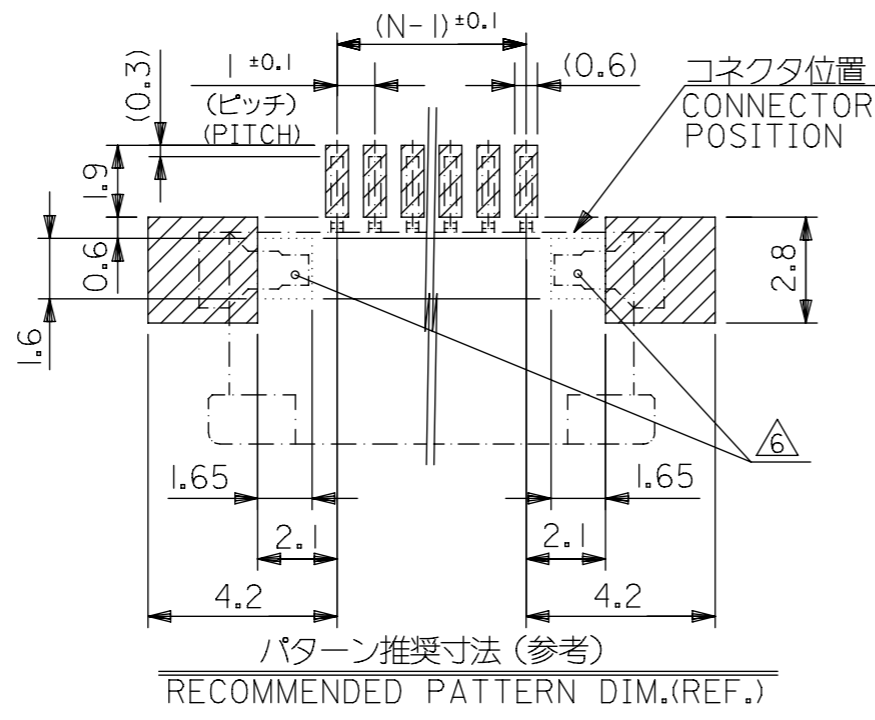
molex

1.0 PITCH FPC CONN.
ZIF SMT -LEAD FREE-

PRODUCT CUSTOMER DRAWING

GENERAL TOLERANCES (UNLESS SPECIFIED)

| | |
|--|-------|
| 10 ^{UNDER} | ±0.2 |
| 10 ^{OVER} 30 ^{UNDER} | ±0.25 |
| 30 ^{OVER} | ±0.3 |
| ANGULAR | ±3 ° |



注記 NOTES

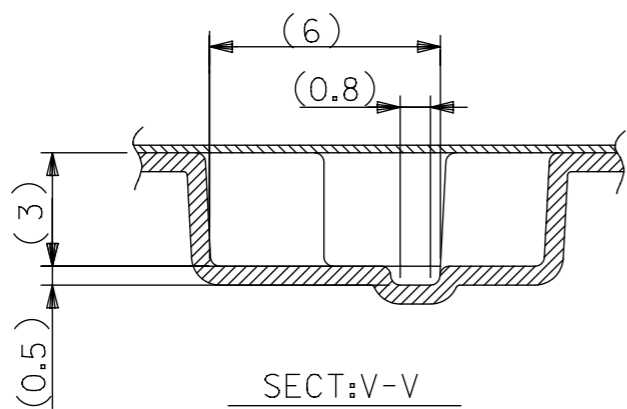
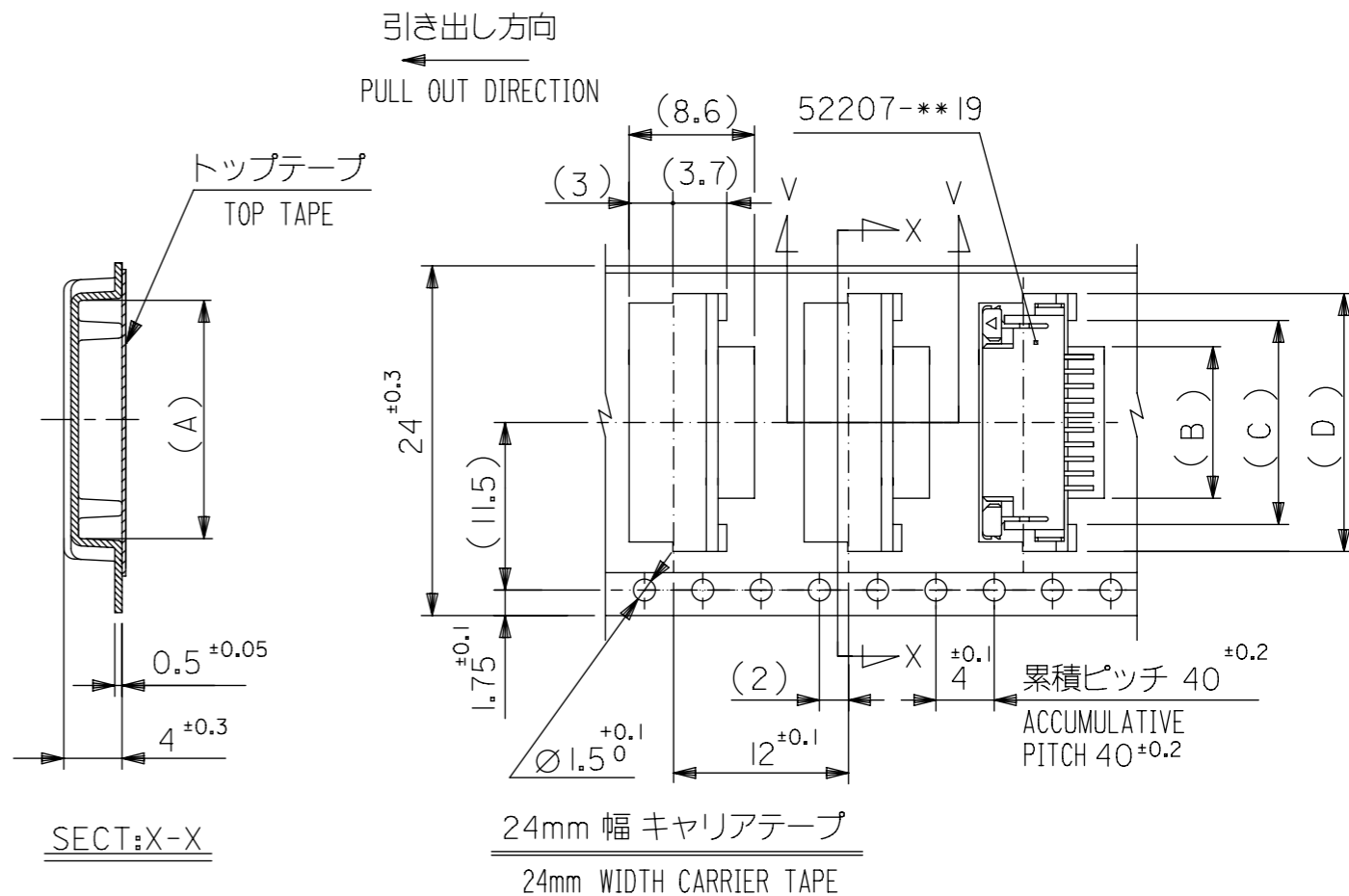
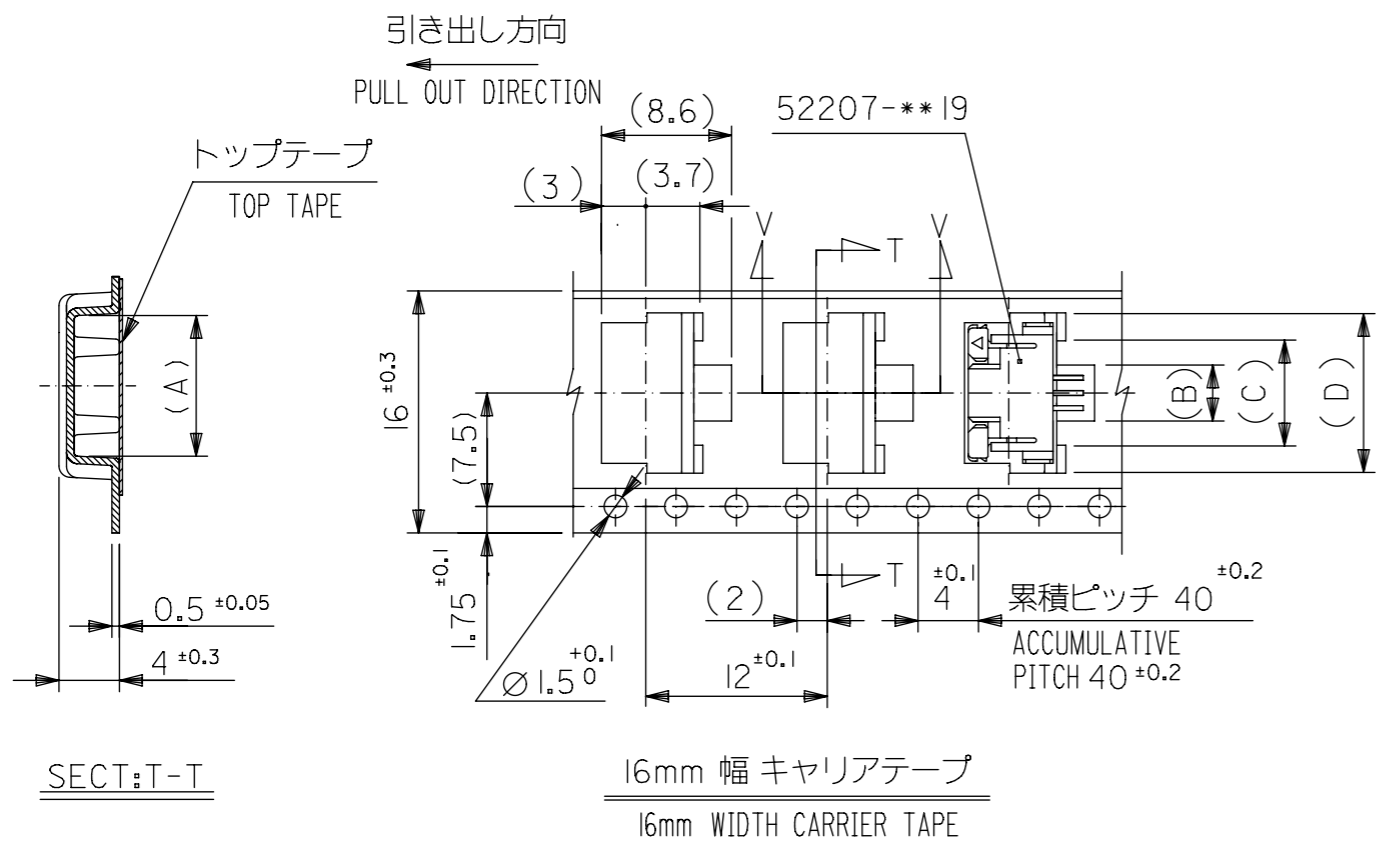
- △ 接点部までの嵌合長さ。
LENGTH TO CONTACT POINT.
- 2. 使用材料 MATERIAL
 - ハウジング : 46ナイロン (耐熱性), UL94V-0
HOUSING : 46NYLON, UL94V-0
 - アクチュエータ : PPS, UL94V-0
ACTUATOR : PPS, UL94V-0
 - ターミナル : リン青銅
TERMINAL : PHOSPHOR BRONZE
 - 錫・ビスマスマッキ 1.0マイクロメートル以上
: TIN BISMUTH 1.0 MICROMETER MINIMUM
 - ニッケル下地 1.0マイクロメートル以上
: NICKEL (UNDER PLATING) 1.0 MICROMETER MINIMUM
 - 銅合金
 - 金具 FITTING NAIL : COPPER ALLOY
 - 錫メッキ 1.0マイクロメートル以上
: TIN 1.0 MICROMETER MINIMUM
 - ニッケル下地 1.0マイクロメートル以上
: NICKEL (UNDER PLATING) 1.0 MICROMETER MINIMUM
- ③ パターンはくり止め用金具
FITTING NAIL FOR PREVENTION OF PEELING OF P.C.B. PATTERN.
- 4. エンボステーブ梱包時は、アクチュエータがロックした状態とする。
IN THE PACKAGE, ACTUATOR OF PART NO. 52207-**-19 SHOULD BE LOCKED.
- △ ⑤ ケーブル挿入深さ
INSERTION DEPTH OF CABLE.
- △ ⑥ パターン書き込み禁止エリア。
NO FOOT PRINT AREA.
- 7. 本製品は 52207-**-17 の鉛フリー品である。
THIS PRODUCT IS LEAD FREE OF 52207-**-17.
- 8. ELV及びRoHS適合品
ELV AND RoHS COMPLIANT

FPCについて:

打抜き方向は導体側から補強板を推奨致します。
補強フィルム材質はポリイミドを推奨致します。
接着剤は熱硬化接着剤を推奨致します。

ABOUT FPC:
RECOMMENDED PUNCHER DIRECTION : FROM CONDUCTOR SIDE TO STIFFENER BOARD SIDE.
RECOMMENDED MATERIAL :
STIFFENER FILM : POLYIMIDE
BONDING AGENT : THERMOSETTING BONDING AGENT

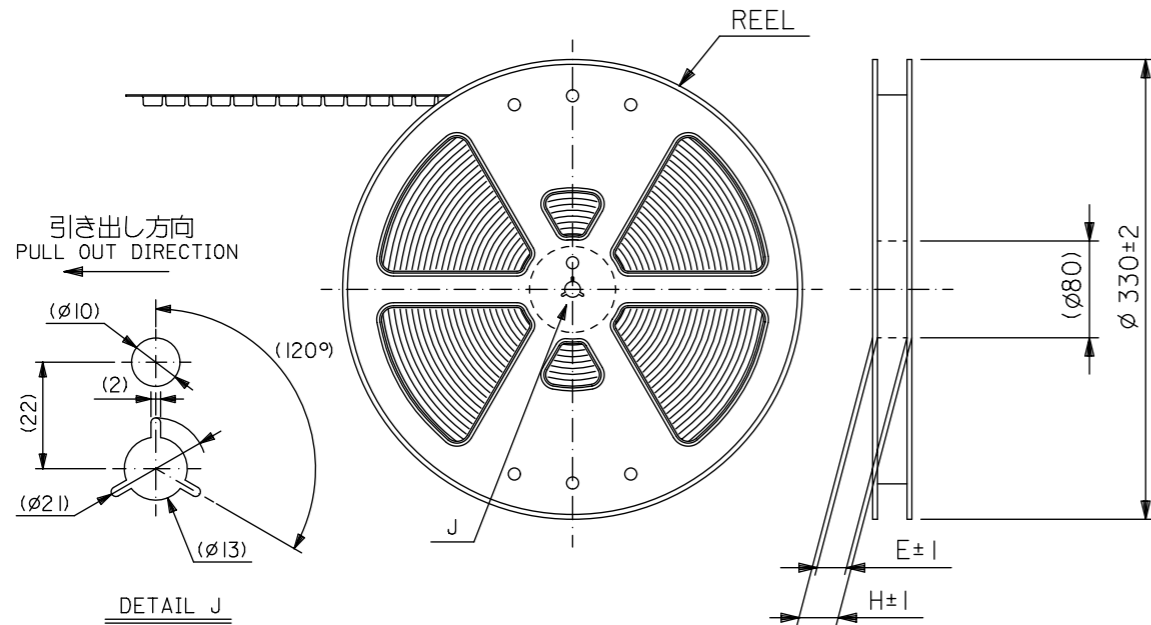
| | | | | | |
|---|-------|--|--|--|--|
| THIS DRAWING CONTAINS INFORMATION THAT IS PROPRIETARY TO MOLEX ELECTRONIC TECHNOLOGIES, LLC AND SHOULD NOT BE USED WITHOUT WRITTEN PERMISSION | | CURRENT REV DESC: | | molex | |
| DIMENSION UNITS | SCALE | | | | |
| mm | NTS | | | 1.0 PITCH FPC CONN. ZIF SMT -LEAD FREE- | |
| GENERAL TOLERANCES (UNLESS SPECIFIED) | | ANGULAR TOL ± ° | | PRODUCT CUSTOMER DRAWING | |
| 4 PLACES ± | | EC NO: 719890 | | DOCUMENT NUMBER | |
| 3 PLACES ± | | DRWN: NARENC 2022/08/22 | | DOC TYPE DOC PART REVISION | |
| 2 PLACES ± | | CHK'D: SMARUYAMA 2022/09/05 | | SD-52207-060 | |
| 1 PLACE ± | | APPR: YNAITO 2022/09/05 | | PSD 001 F | |
| 0 PLACES ± | | INITIAL REVISION: | | MATERIAL NUMBER | |
| 10 ^{UNDER} ±0.2 | | DRWN: MNINOMIYA 2004/02/18 | | CUSTOMER | |
| 10 ^{OVER} 30 ^{UNDER} ±0.25 | | APPR: MSASAO 2004/02/18 | | GENERAL MARKET | |
| 30 ^{OVER} ±0.3 | | DRAFT WHERE APPLICABLE MUST REMAIN WITHIN DIMENSIONS | | SHEET NUMBER | |
| ANGULAR ±3° | | THIRD ANGLE PROJECTION | | 2 OF 2 | |



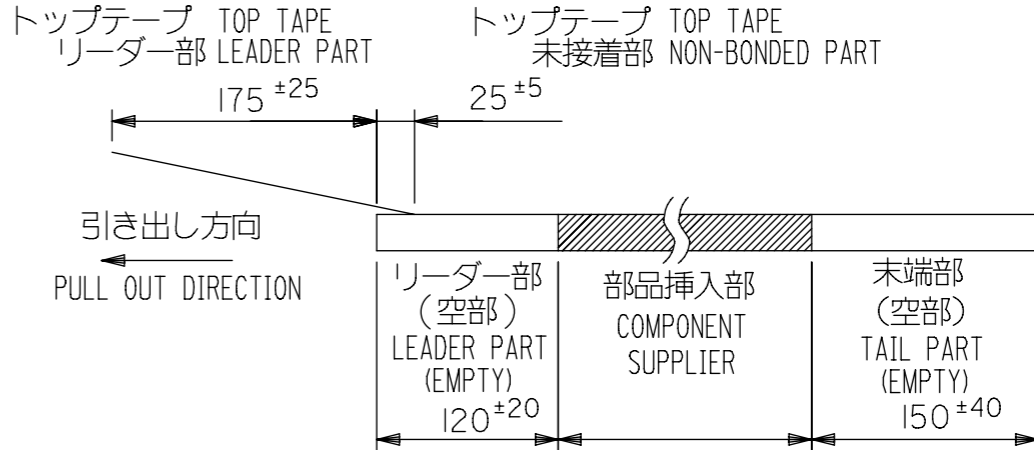
| | | | | | | | | | |
|-------------|--------------------------------|------|------|------|-----|------|------|--------------|------------|
| | | | | 18.5 | 15 | 11.7 | 17.3 | 52207-1185 | 11 |
| | | | | 17.5 | 14 | 10.7 | 16.3 | 4 -1085 | 10 |
| | | | | 16.5 | 13 | 9.7 | 15.3 | -0985 | 9 |
| | | | | 15.5 | 12 | 8.7 | 14.3 | -0885 | 8 |
| | | | | 14.5 | 11 | 7.7 | 13.3 | -0785 | 7 |
| | | | | 13.5 | 10 | 6.7 | 12.3 | -0685 | 6 |
| | | | | 12.5 | 9 | 5.7 | 11.3 | -0585 | 5 |
| | | | | 11.5 | 8 | 4.7 | 10.3 | 7 -0485 | 4 |
| 52207-***85 | 16 | 21.4 | 17.4 | 10.5 | 7 | 3.7 | 9.3 | 52207-0385 | 3 |
| MODEL NO. | キャリアテープ幅 CARRIER TAPE WIDTH | H | E | (D) | (C) | (B) | (A) | MATERIAL NO. | 極数 CKT. |

THIS DRAWING CONTAINS INFORMATION THAT IS PROPRIETARY TO MOLEX ELECTRONIC TECHNOLOGIES, LLC AND SHOULD NOT BE USED WITHOUT WRITTEN PERMISSION

| | | | | | | | | | | | |
|--|--|---|--|---|--|---|--|--|--|--|--|
| GENERAL TOLERANCES (UNLESS SPECIFIED) 10 ^{UNDER} ±0.2 10 ^{OVER} 30 ^{UNDER} ±0.25 30 ^{OVER} ±0.3 ANGULAR ±3° | | DIMENSION UNITS: mm SCALE: NTS ANGULAR TOL: ±° 4 PLACES ± 3 PLACES ± 2 PLACES ± 1 PLACE ± 0 PLACES ± DRAFT WHERE APPLICABLE MUST REMAIN WITHIN DIMENSIONS | | CURRENT REV DESC: EC NO: 719890 DRWN: NARENC 2022/08/22 CHK'D: SMARUYAMA 2022/09/05 APPR: YNAITO 2022/09/05 INITIAL REVISION: DRWN: MNINOMIYA 2004/02/18 APPR: MSASAO 2004/02/18 | | molex EMBOSSED TAPE PACKAGE FOR 52207-***19 -LEAD FREE- PRODUCT CUSTOMER DRAWING | | DOCUMENT NUMBER: SD-52207-061 DOC TYPE: PSD DOC PART: 001 REVISION: D | | MATERIAL NUMBER: SEE TABLE CUSTOMER: GENERAL MARKET SHEET NUMBER: 1 OF 3 | |
|--|--|---|--|---|--|---|--|--|--|--|--|

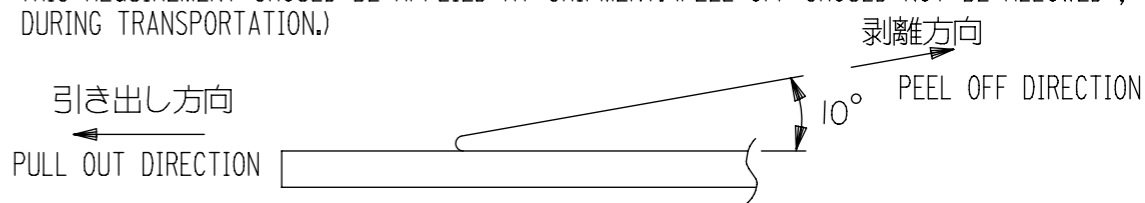


- 注記**
- 製品番号 52207-**-19 の梱包状態はアクチュエータがロックした状態とする。
 詳細寸法については図面 SD-52207-060 を参照下さい。
 IN THE PACKAGE, ACTUATOR OF PART NO. 52207-**-19 SHOULD BE LOCKED
 RE DETAILED DIMENSIONS, SEE SD-52207-060
 - 梱包数量：1000個/リール
 NUMBER OF CONNECTORS：1000PCS/REEL
 - リードテープ長さ(LEAD TAPE LENGTH)

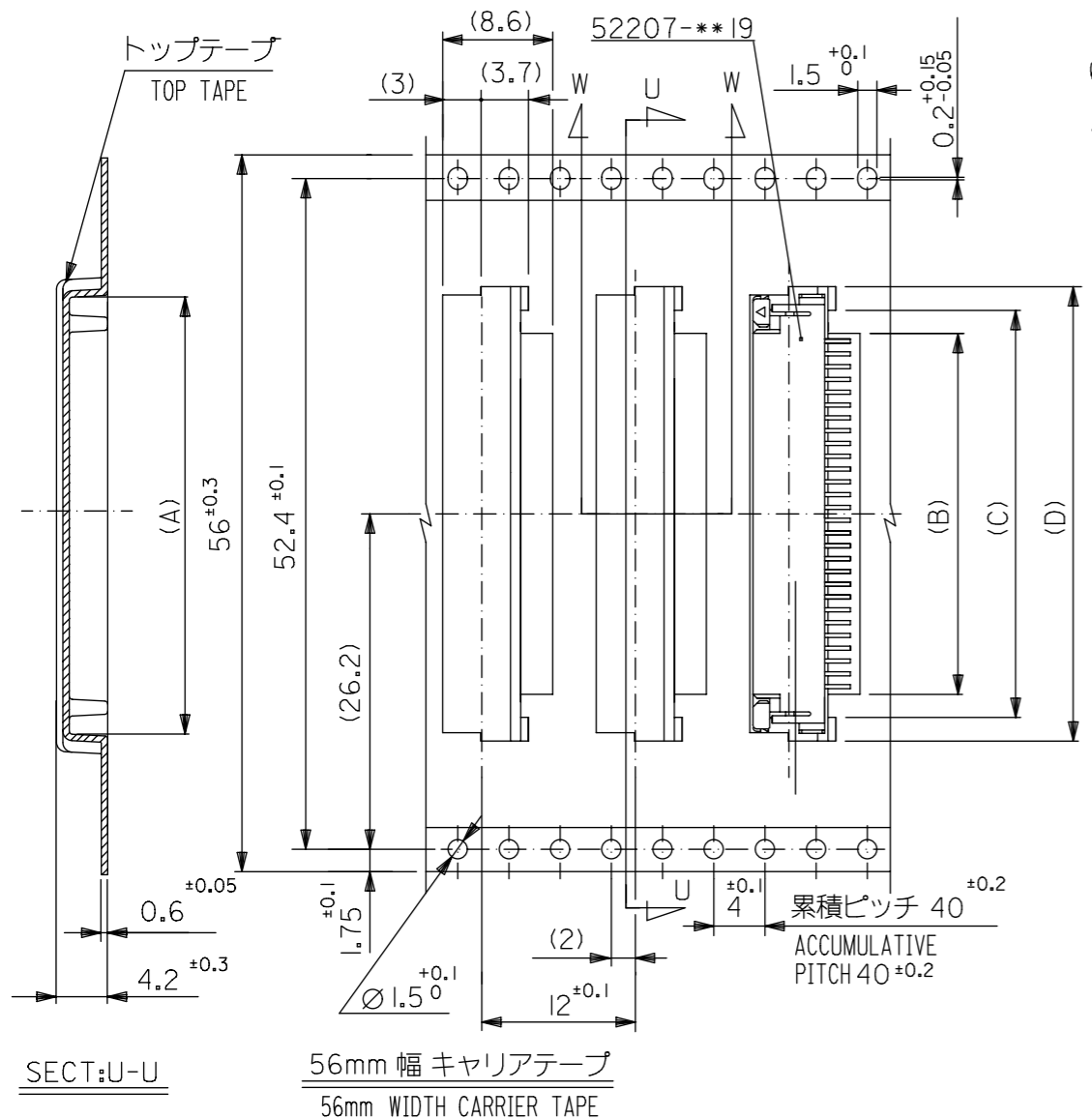


- 本製品は 52207-**-90 の鉛フリー品である。
 THIS PRODUCT IS LEAD FREE OF 52207-**-90.
- 本製品は乾燥剤入り、ハイバリア梱包仕様である。
 THIS PRODUCT IS HIGH BARRIER
 PACKAGE WITH DESICCANT.

- トップテープの剥離強度：(剥離方向は下図参照)
 0.1N ~ 1.3N(10gf ~ 130gf)MAX.尚、本規格値は、出荷時に適用。
 (但し、輸送時に剥離が発生しない事。)
 PEELING OFF FORCE OF TOP TAPE :0.1N ~ 1.3N(10gf ~ 130gf) MAX.
 (PEELING DIRECTION AS SHOWN IN FOLLOWING FIG.)
 THIS REQUIREMENT SHOULD BE APPLIED AT SHIPMENT. (PEEL OFF SHOULD NOT BE ALLOWED ,
 DURING TRANSPORTATION.)



- 材料 (MATERIAL)
 キャリアテープ (CARRIER TAPE)：ポリプロピレン (POLYPROPYLENE)
 トップテープ (TOPTAPE)：PET, PE, PEF
 リール (REEL)：ポリスチレン (PS) <リサイクル材を含む>
 POLYSTYRENE (PS) <RECYCLE MATERIAL CONTAINED>



| | | | | | | | | | |
|-------------|--------------------------------|------|------|------|-----|------|-------|--------------|------------|
| 52207-**-85 | 56 | 61.4 | 57.4 | 41.5 | 38 | 34.7 | 40.35 | 52207-3485 | 34 |
| | | | | 37.5 | 34 | 30.7 | 36.35 | 52207-3085 | 30 |
| | | | | 36.5 | 33 | 29.7 | 35.35 | 52207-2985 | 29 |
| | | | | 35.5 | 32 | 28.7 | 34.35 | 52207-2885 | 28 |
| MODEL NO. | キャリアテープ幅 CARRIER TAPE WIDTH | H | E | (D) | (C) | (B) | (A) | MATERIAL NO. | 極数 CKT. |

THIS DRAWING CONTAINS INFORMATION THAT IS PROPRIETARY TO MOLEX ELECTRONIC TECHNOLOGIES, LLC AND SHOULD NOT BE USED WITHOUT WRITTEN PERMISSION

| | | | | | | | | | | | |
|--|--|------------|--|--|--|-------------------|--|-----------------|--|---|--|
| DIMENSION UNITS: mm | | SCALE: NTS | | CURRENT REV DESC: | | molex | | | | | |
| GENERAL TOLERANCES (UNLESS SPECIFIED) | | | | | | | | | | EMBOSSED TAPE PACKAGE FOR 52207-**-19 -LEAD FREE- | |
| 10 ^{UNDER} | | ±0.2 | | 4 PLACES | | EC NO: 719890 | | 2022/08/22 | | PRODUCT CUSTOMER DRAWING | |
| 10 ^{OVER} 30 ^{UNDER} | | ±0.25 | | 3 PLACES | | DRWN: NARENC | | 2022/09/05 | | DOCUMENT NUMBER | |
| 30 ^{OVER} | | ±0.3 | | 2 PLACES | | CHK'D: SMARUYAMA | | 2022/09/05 | | DOC TYPE | |
| ANGULAR | | ±3° | | 1 PLACE | | APPR: YNAITO | | 2022/09/05 | | DOC PART | |
| | | | | 0 PLACES | | INITIAL REVISION: | | 2004/02/18 | | REVISION | |
| | | | | DRAFT WHERE APPLICABLE MUST REMAIN WITHIN DIMENSIONS | | DRWN: MNINOMIYA | | 2004/02/18 | | SD-52207-061 | |
| | | | | THIRD ANGLE PROJECTION | | APPR: MSASAO | | 2004/02/18 | | PSD 001 D | |
| | | | | DRAWING | | SERIES | | MATERIAL NUMBER | | CUSTOMER | |
| | | | | A3-SIZE | | 52207 | | SEE TABLE | | GENERAL MARKET | |
| | | | | SHEET NUMBER | | | | | | 3 OF 3 | |