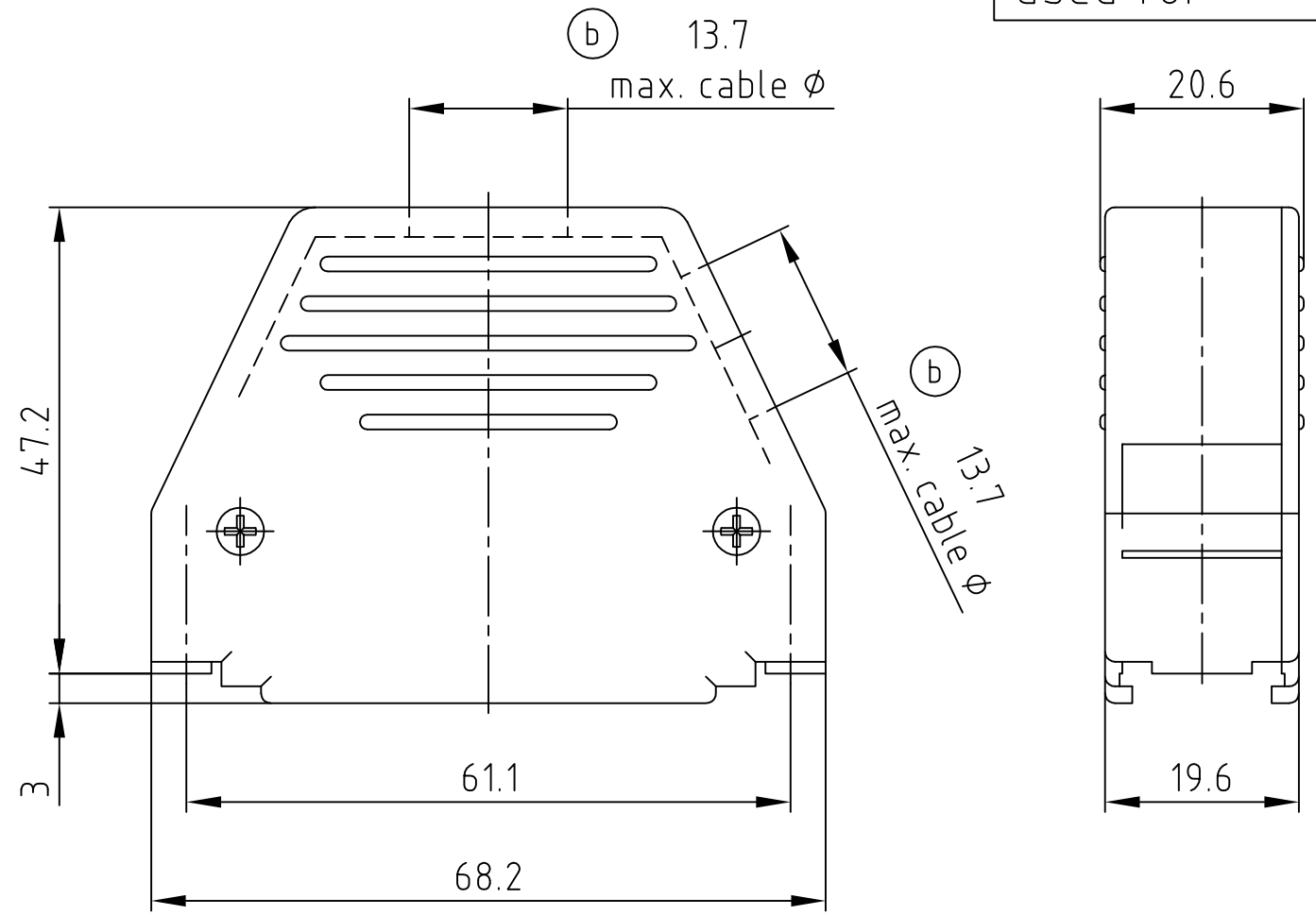
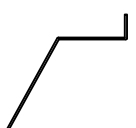

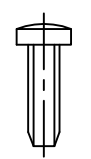
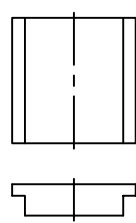


used for: D-SUB

F
E
D
C
B
A

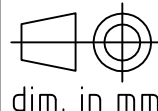

F
E
D
C
B
A



 1 x SPRING	 1 x SLIDE LOCK
 2 x SCREW	 1 x BLIND PLUG

APPROVAL # FREIGABE # DEBLOCAGE # AUTOR/ZACION # APPROVAL	
CUSTOMER APPROVAL DATE:	
NAME:	TITLE:
COMPANY NAME:	
APPROVAL # FREIGABE # DEBLOCAGE # AUTOR/ZACION # APPROVAL	

MATERIAL:
 HOOD: ABS UL 94 V-0; METALLIZED
 SPRING: STEEL; TIN PLATED
 SLIDE LOCK: STEEL; NICKEL PLATED
 SCREWS: STEEL; NICKEL PLATED
 BLIND PLUG: ABS UL 94 V-0; METALLIZED

THIS DRAWING MAY NOT BE COPIED OR REPRODUCED IN ANY WAY, AND MAY NOT BE PASSED ON TO A THIRD PARTY WITHOUT WRITTEN PERMISSION. OWNERSHIP AND COPYRIGHT OF CONEC GmbH DO NOT ALTER CAD DRAWING BY HAND				tolerance	 dim. in mm	scale: 1:1	
						material: SEE NOTES	
				2005	date	name	title: PLASTIC HOOD 50pos. with slide lock and spring
				drawn	24.06.	Lehmenkühler	
				appd.	24.06.	Fischer	
				norm			
				d-old			dwg no: AutoCAD 2004 16K1A1435
2 x b	Ä 2620	05.12.2006	ES			DIN-A 4 sh: 1/1	
rev.	description	date	name			part no: 165X16569X	

4 3 2 1